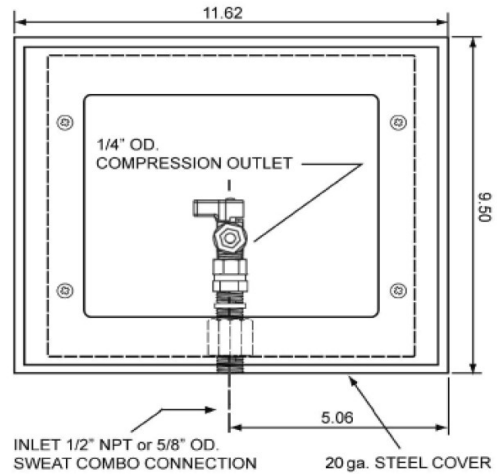
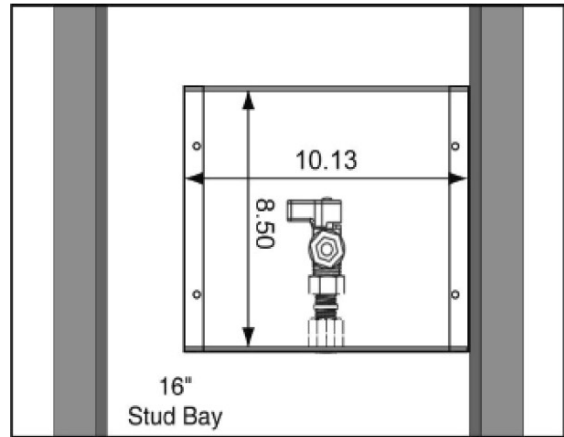
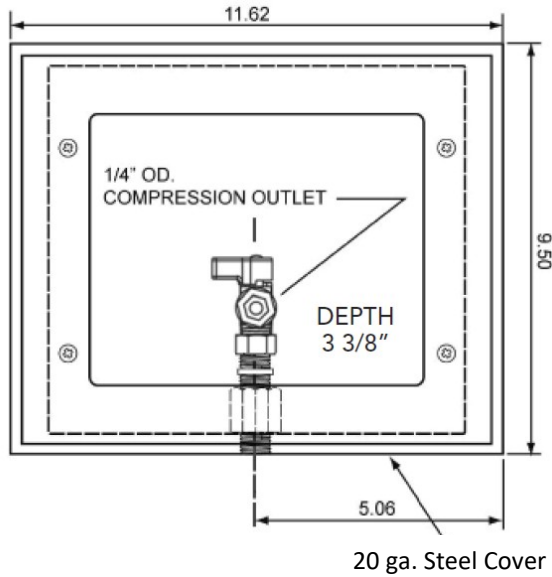




**GALVANIZED ICE MAKER OUTLET BOX**  
with Lead Free Quarter Turn Valve



**Specifications:**

Furnish and install galvanized ice maker box. Unit shall be Guy Gray product code checked below as manufactured by IPS Corporation.

**Box Material:**

G90 Hot Dipped Galvanized Steel (unpainted)  
20 gauge box with 20 gauge faceplate

**Valve and Drain Options:**

Lead Free Qtr. Turn Valve kit with 1/2" MIP/Sweat, CPVC or PEX connection furnished. Kit includes valves, locknuts and O-rings. Valves comply with ASME A112.18.1.

Product Code #	Product Description	Model #	Quantity
88510	Lead Free 1/2" Qtr Turn Valve, Sweat Connection	BIM875QTSAB	5
88512	Lead Free 1/2" Qtr Turn Valve, CPVC Connection	BIM876QTCAB	5
88514	Lead Free 1/2" Qtr Turn Valve, F1807 Connection	BIM877QTPAB	5
96997	Tamper resistant cover for Models B, BB, WB, FB, & BIM	BTRC	6

