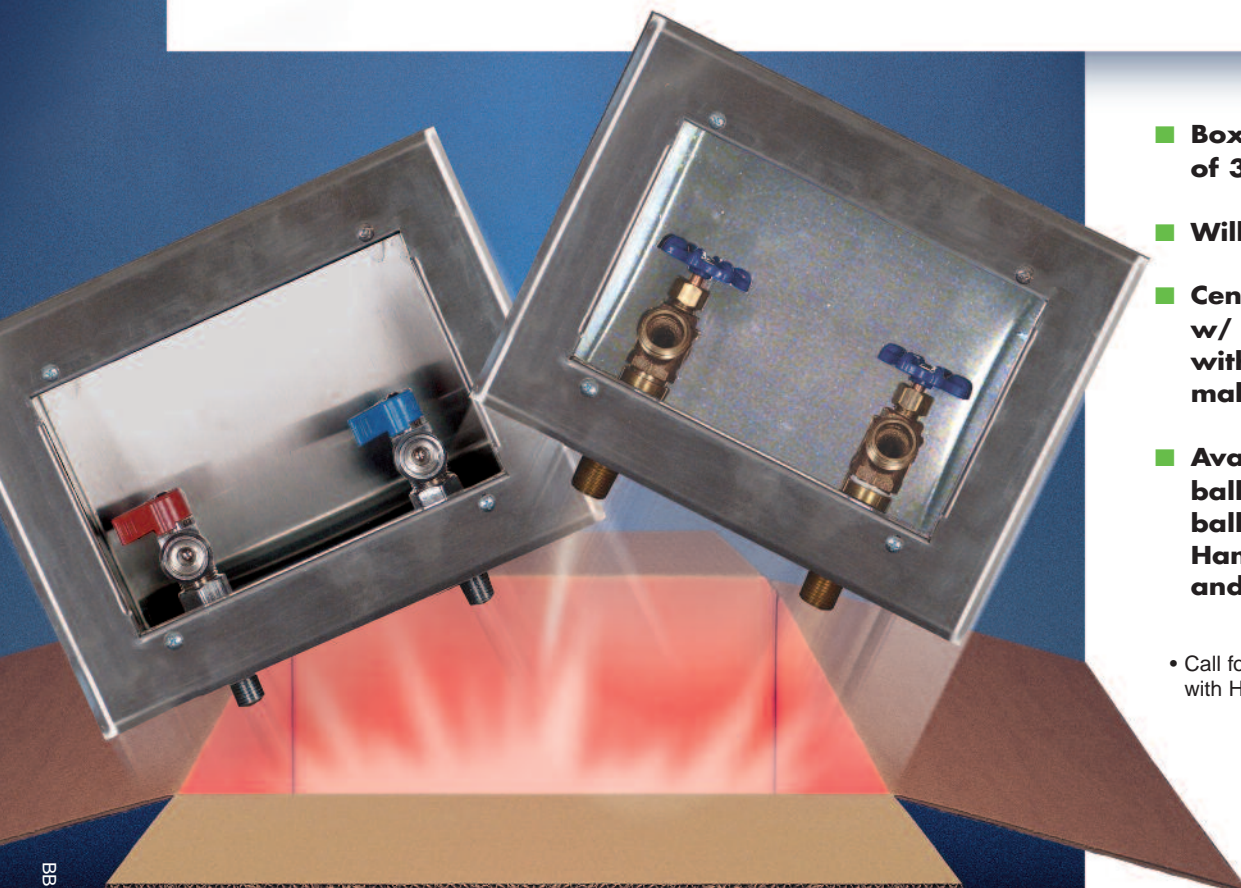


STAINLESS STEEL WASHING MACHINE OUTLET BOX



Product Code	Model #	Product Description	UPC Bar Code	Cubic ft./ Case	Units/ Case	LBS/ Case
82170	SSWB1	Stainless Steel Center Drain Washer Box w/1/2" Qtr. Turn Sweat Valves	012181-821701	1.05	5	22
82171	SSWB2	Stainless Steel Center Drain Washer Box w/1/2" Domestic Sweat Valves	012181-821718	1.05	5	22



- **Box and Faceplate made of 304 Stainless Steel**
- **Will not rust or corrode**
- **Center Drain Outlet w/ 2" Slipnut to be used with 2" Pipe Nipple or male adapter**
- **Available w/ 1/4 turn ball valve, 1/4 turn ball valve with Hammer Arrester[®], and Domestic valves.**

• Call for Availability of Boxes with Hammer Arresters.

IPS
CORPORATION

500 Distribution Parkway, Collierville, TN 38017, USA
TEL: 901-853-5001 ■ WATS: 800-888-8312 ■ FAX: 901-853-5008

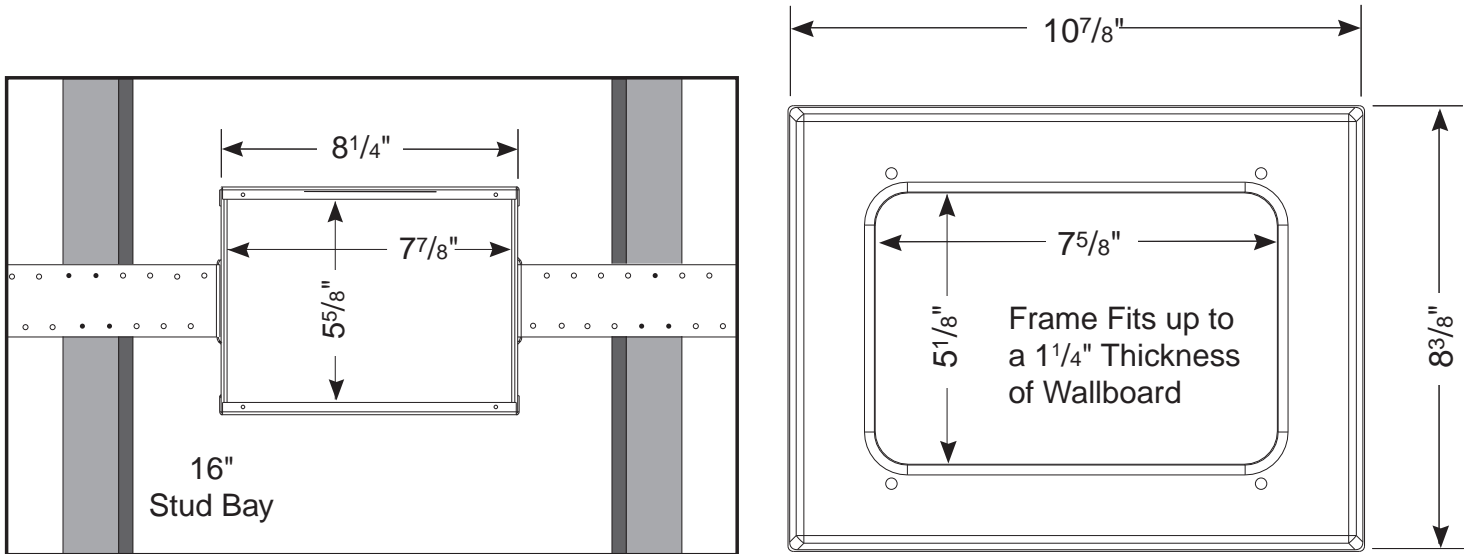
IPS[®]
CORPORATION

Web Site: www.ipscorp.com

SPECIFICATION SUBMITTAL SHEET



Center Drain Stainless Steel Washing Machine Outlet Box



SPECIFICATION

Furnish and install recessed stainless steel washing machine box with 2" center drain outlet and valve option listed below. Unit shall be **WATER • TITE** product code checked below as manufactured by IPS Corporation in Collierville, TN.

	PROD. CODE
	82170
	82171

DESCRIPTION	
Stainless Steel Center Drain Washing Machine Outlet Box w/ 1/2" Qtr. Turn Sweat Valves	Unassembled
Stainless Steel Center Drain Washing Machine Outlet Box w/ 1/2" Domestic Sweat Valves	Unassembled



www.Ipscorp.com

500 Distribution Parkway, Collierville, TN 38017, USA ■ TEL: 901-853-5001 ■ WATS: 800-888-8312 ■ FAX: 901-853-5008