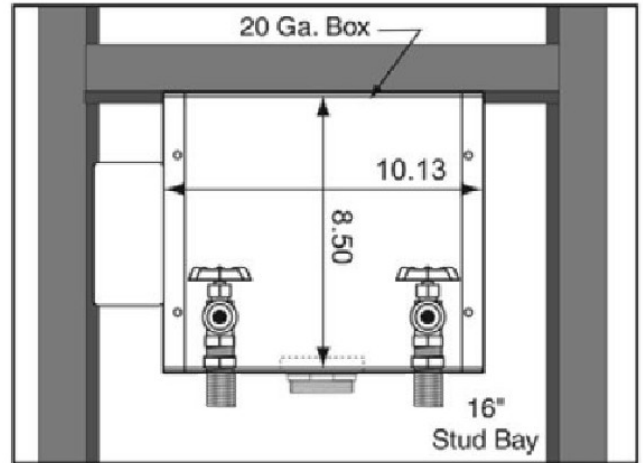
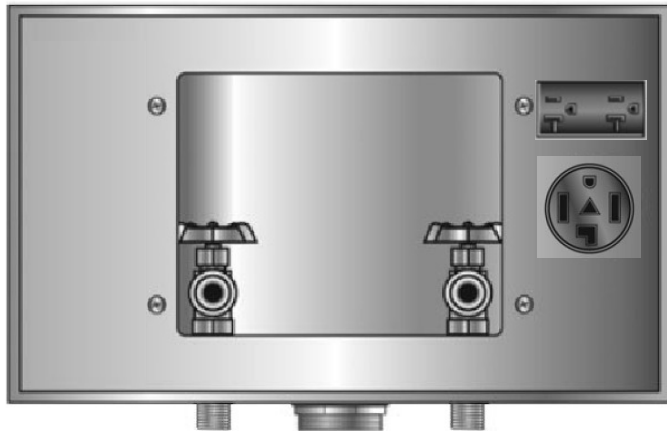


SPECIFICATION SUBMITTAL SHEET



**CENTER DRAIN GALVANIZED WMOB, Domestic Valves
With Duplex & Dryer Receptacle**



Specification:

Furnish and install center drain galvanized washing machine outlet box with duplex and dryer receptacles. Unit shall be Guy Gray product code as manufactured by IPS Corporation.

Box Material:

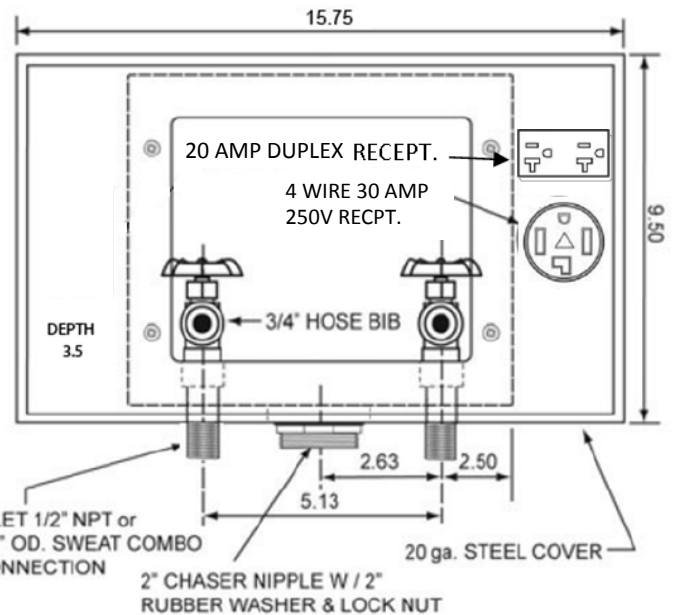
20 gauge Box and 20 gauge faceplate
G90 Hot Dipped Galvanized Steel (unpainted)

Valve & Drain Options:

Domestic 1/2" MIP/Sweat Connection Valve.
2" Threaded Drain or 1 1/2" Male Threaded Drain.
Valves comply with ASME A112.18.1

Receptacles:

UL Listed
Duplex: 20A/125V
4 Wire Dryer: 30A/125/250V



Product Code #	Product Description	Model Number	Units/Case
82035	1/2" MIP/Sweat Conx. Valves, 2" Threaded Drain Fitting, w/Duplex and 4 Wire Dryer Recpt.	NWBED2004	6

