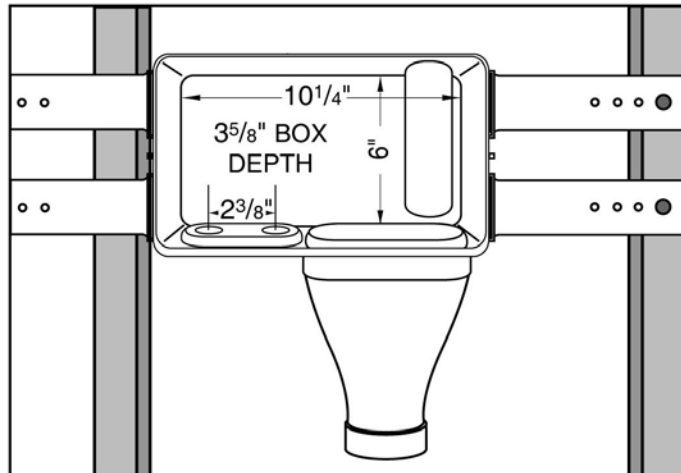
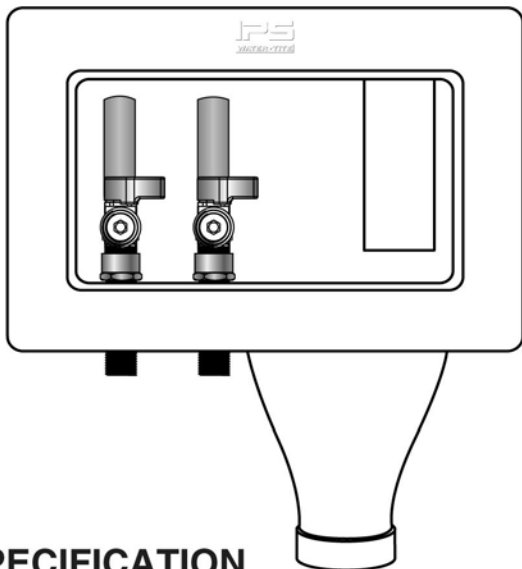


SPECIFICATION SUBMITTAL SHEET

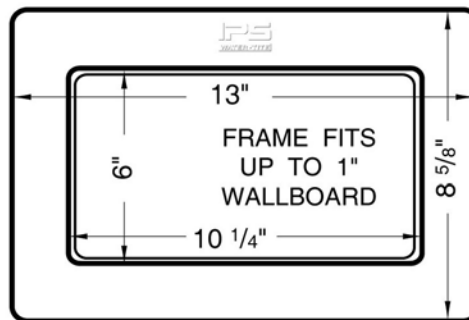


Wide Mouth Washing Machine Box



SPECIFICATION

Install WATER-TITE Wide Mouth Washing Machine Box w/ wide mouth funnel connection. Units come with left or right hand option, pre-installed valves, auxiliary discharge guide tube & one drain outlet that connects to 2" PVC or ABS DWV pipe. ASSE Certified to ANSI/ASSE 1010-2004 Standard & Conforms to IPC-2006. Unit shall be equal to the figure number checked below w/ appropriate valve and drain options as manufactured by IPS.



✓	Product Code	Description	Model #
	87353	Wide Mouth WMOB w/ Solder Qtr. Turn Valves installed	W8900CP
	87390	Wide Mouth WMOB w/ Solder Qtr. Turn Valves Installed w/ Arresters	W8900HACP
	87357	Wide Mouth WMOB w/ CPVC Qtr. Turn Valves installed	W8901CP
	87361	Wide Mouth WMOB w/ PEX Qtr. Turn Valves installed	W8902CP
	87365	Wide Mouth WMOB w/ Solder Single Lever Valve installed	W8904CP
	87379	Wide Mouth WMOB w/ Wirsbo® Qtr. Turn Valves installed	W8911CP
	87401	Wide Mouth WMOB w/ Wirsbo® Qtr. Turn Valves Installed w/Arresters	W8911HACP
	87386	Wide Mouth WMOB w/ Wirsbo® Qtr. Turn Valves Unassembled	W8914CP
	87351	Wide Mouth WMOB w/ Solder Qtr. Turn Valves installed	W8900
	87355	Wide Mouth WMOB w/ CPVC Qtr. Turn Valves installed	W8901
	87359	Wide Mouth WMOB w/ Pex Qtr. Turn Valves installed	W8902
	87404	Wide Mouth WMOB w/ Pex Qtr. Turn Valves Top Mount w/Arresters	W8902HA
	87363	Wide Mouth WMOB w/ Solder Single Lever Valve installed	W8904
	87392	Wide Mouth WMOB w/ Rehau® Quarter Turn Valves installed	W8905
	87378	Wide Mouth WMOB w/ Wirsbo® Qtr. Turn Valves installed	W8911
	87349	Wide Mouth WMOB w/ Solder Qtr. Turn Valves Unassembled	W8912
	87386	Wide Mouth WMOB w/ Wirsbo® Qtr. Turn Valves Unassembled	W8914
	87363	Wide Mouth WMOB w/ Solder Single Lever Valve Installed	W8904

Wirsbo® is a registered trademark of Uponor/Wirsbo. KITEC® is a registered trademark of IPEX, Inc.



Wide Mouth Washing Machine Box

87385	Wide Mouth WMOB w/Solder Qtr. Turn Vlv. Top Mount Installed	W8900 CPTM
87388	Wide Mouth WMOB w/Solder Qtr. Turn Vlv. Top Mount Installed w/Arresters	W8900HACPTM
87382	Wide Mouth WMOB w/Wirsbo Qtr. Turn Vlv. Top Mount Installed	W8911CPTM
87384	Wide Mouth WMOB w/Pex Qtr. Turn Vlv. Top Mount Installed	W8902CPTM
87367	Wide Mouth WMOB w/Solder Qtr. Turn Valves installed	W8900LD
87371	Wide Mouth WMOB w/CPVC Qtr. Turn Valves installed	W8901LD
87374	Wide Mouth WMOB w/Pex Qtr. Turn Valves installed	W8902LD
87376	Wide Mouth WMOB w/Solder Single Lever Valve installed	W8904LD
87380	Wide Mouth WMOB w/ WirsboTM Qtr. Turn Valves installed	W8911LD
87369	Wide Mouth WMOB w/Solder Qtr. Turn Valves installed	W8900LDCP
87373	Wide Mouth WMOB w/CPVC Qtr. Turn Valves installed	W8901LDCP
87375	Wide Mouth WMOB w/Pex Qtr. Turn Valves installed	W8902LDCP
87377	Wide Mouth WMOB w/Solder Single Lever Valve installed	W8904LDCP
87381	Wide Mouth WMOB w/ WirsboTM Qtr. Turn Valves installed	W8911LDCP