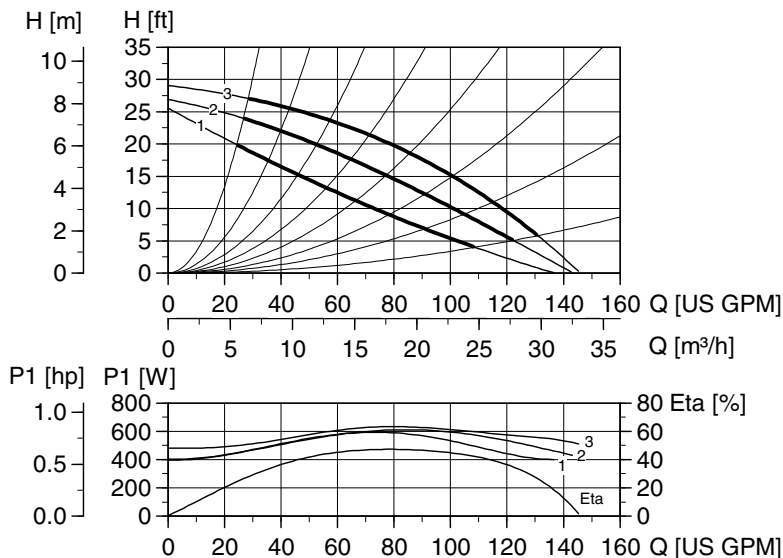


Model	Cast iron product number	Bronze product number	Max. Hp Speed 3	Ph	Voltage	Speed	I-MAX. [Amps]	P-MAX. [Watts]	Istart [Amps]		
UPS 53-55/57	96654373	96654392	0.75	1	115	3	5.85	630	14.60		
						2	5.80	610	14.23		
						1	5.70	600	14.48		
	96654374	96654393			230	3	2.95	630	7.30		
						2	2.90	610	7.18		
						1	2.85	600	7.05		
	96654375	96654394	208-230	3	1.92	610	9.30				
				2	1.20	440	5.81				
				1	1.08	400	5.23				
	96654376	96654395		460	3	0.96	610	4.70			
					2	0.60	440	2.94			
					▲	▲	▲	▲			
96654377	96654396	575★	3		0.77	610	3.76				
			2		0.48	440	2.40				
			▲		▲	▲	▲				
UPS 75-69	96654378		96654397	1.50	1	230	2	5.20	1100	23.76	
							1	4.85	1050	22.16	
							3	4.00	1300	22.80	
	96654379	96654398	208-230			2	3.00	1000	17.10		
						1	2.75	950	15.68		
						3	2.00	1300	11.40		
	96654390	96654399		460	2	1.50	1000	8.55			
					▲	▲	▲	▲			
					3	1.60	1300	9.12			
	96654391	96654400	575★		2	1.20	1000	6.84			
					▲	▲	▲	▲			
					3	1.60	1300	9.12			
UPS 80-40/4	96402894	96402899		0.50	3	208-230	3	1.62	380	7.10	
							2	0.87	260	3.81	
							1	0.77	230	3.37	
	96402895	96402900	460			3	0.81	380	3.50		
						2	0.44	260	1.90		
						▲	▲	▲	▲		
	96402896	96402901		575★	3	0.65	380	2.80			
					2	0.35	260	1.52			
					▲	▲	▲	▲			
	UPS 80-80/4	96402908	96402913		1.50	3	208-230	3	3.60	1050	11.80
								2	2.08	660	6.82
								1	1.72	550	5.64
UPS 80-160/2	96402920	96402923	3.00	3			208-230	3	6.35	2050	31.00
								2	4.20	1550	20.50
								1	4.05	1500	19.77
	96402921	96402924			460	3	3.13	2050	15.40		
						2	2.10	1550	10.17		
						▲	▲	▲	▲		
	96402922	96402925	575★	3		2.54	2050	12.32			
				2		1.68	1550	8.14			
				▲		▲	▲	▲			

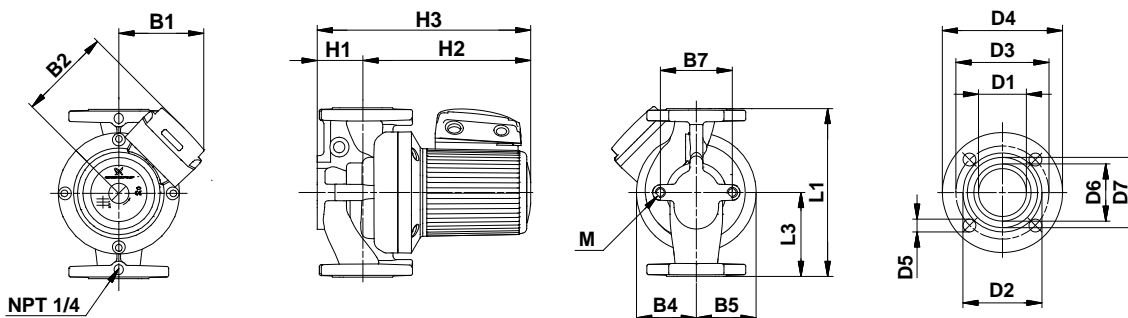
▲ All 3-phase, 460V and 575V pumps are 2-speed only.  
 ★ Canada only

**UPS 53-55/57, 1 ph, 115 V, 230 V, 60 Hz**



TM00 9520 0307

**Note:** ETA is calculated as wire-to-water efficiency.



TM02 0730 5100

**Dimensions**

Model	L1	L3	B1	B2	B4	B5	B7	H1	H2	H3	D1	D2	D3	D4	D5	D6	D7	M	
UPS 53-55/57	[in]	11.88	5.94	5.31	5.56	3.75	2.94	4.75	2.94	9.88	12.86	2.06	4.19	5.00	6.00	0.63	3.50	4.00	
	[mm]	302	151	135	141	95	75	121	75	251	327	52	106	127	152	16	89	102	M12

**Product numbers**

Model type	Product number		Voltage [V]
	Cast Iron	Bronze	
UPS 53-55/57 (1 ph)	96654373	96654392	115
	96654374	96654393	230

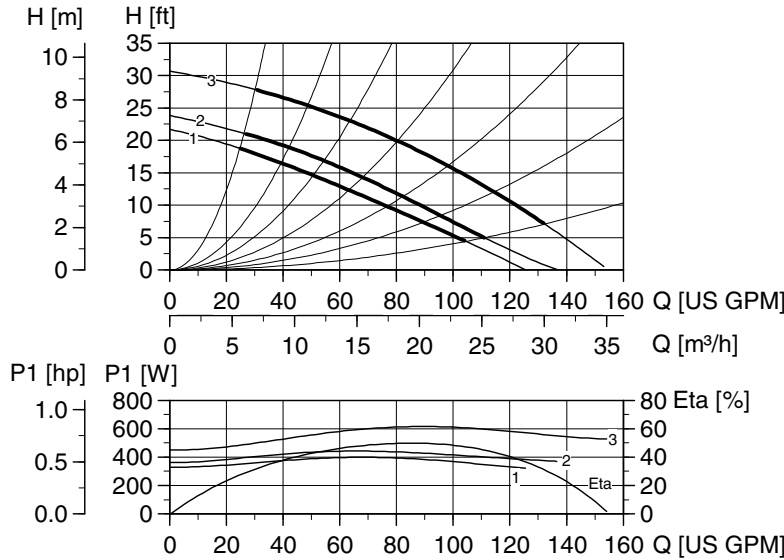
**Connections**

Flange size	Flange type
2.0", 2.5", 3.0" non ANSI 4 bolt w/ (4) 0.63" dia. holes	GF 53

**Electrical data**

Speed	Max amps [A]		P Max [Watts]	Start amps [A]	
	115V	230V		115V	230V
3	5.85	2.95	630	14.60	7.30
2	5.80	2.85	613	14.48	7.18
1	5.70	2.80	600	14.23	7.05

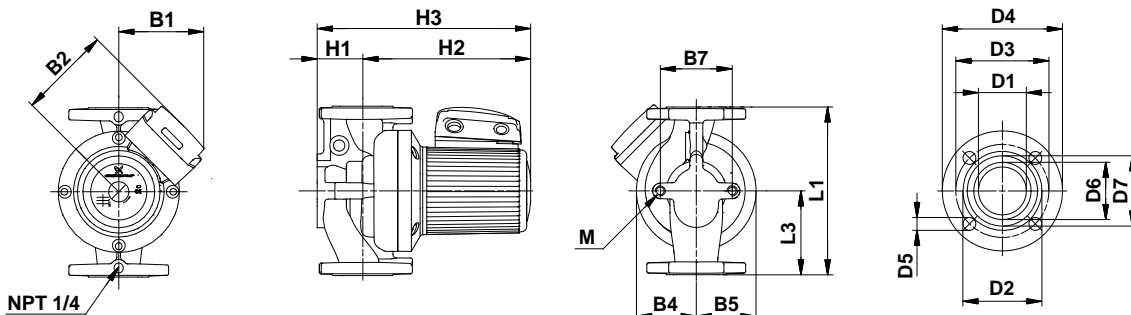
**UPS 53-55/57, 3 ph, 208-230 V, 460 V, 575 V★, 60 Hz**



TM00 9503 0307

- Flow range: 20 - 150 gpm
- Head range: 1 - 30 ft
- Motor: 2-pole 0.75 Hp
- Max. liquid temp (Open): +140 °F
- Max. liquid temp.: +248 °F
- Min. liquid temp.: +32 °F
- Max. system pressure: 145 psi
- Net wt: 46.7 lbs (21.2 kg)
- Gross wt.: 54.2 lbs (24.6 kg)
- Shipping volume: 2.10 ft<sup>3</sup> (0.06 m<sup>3</sup>)
- Net wt. bronze: 52.2 lbs (23.7 kg)
- Gross wt. bronze: 59.7 lbs (27.1 kg)
- Shipping volume bronze: 2.10 ft<sup>3</sup> (0.06 m<sup>3</sup>)

**Note:** ETA is calculated as wire-to-water efficiency.



TM02 0730 5100

**Dimensions**

Model	L1	L3	B1	B2	B4	B5	B7	H1	H2	H3	D1	D2	D3	D4	D5	D6	D7	M
UPS 53-55/57	[in]	11.88	5.94	5.31	5.56	3.75	2.94	4.75	2.94	9.88	12.86	2.06	4.19	5.00	6.00	0.63	3.50	4.00
	[mm]	302	151	135	141	95	75	121	75	251	327	52	106	127	152	16	89	102

**Product numbers**

Model type	Product number		Voltage [V]
	Cast Iron	Bronze	
UPS 53-55/57 (3 ph)	96654375	96654394	208-230
	96654376	96654395	460
	96654377	96654396	575★

**Connections**

Flange size	Flange type
2.0", 2.5", 3.0" non ANSI 4 bolt w/ (4) 0.63" dia. holes	GF 53

**Electrical data**

Speed	Max amps [A]			P Max [Watts]	Start amps [A]		
	208-230V	460V	575V★		208-230V	460V	575V★
3	1.92	0.96	0.77	610	9.30	4.70	3.76
2	1.20	0.60	0.48	440	5.81	2.94	2.40
1	1.08	▲	▲	400	5.23	▲	▲

▲ All 3-phase, 460V and 575V pumps are 2-speed only.  
★ Canada only.