

Grundfos UPS 32-40/4 Pumps, 3-Speed, 1/3 HP

UPS 32-40/4
Cast iron



Features:

- Self-lubricating via pumped liquid with stainless steel impeller.
- 60 Hz, 3-speed motor: Maximum RPM, 1750
- Choose from one-phase or three-phase, 1/3 HP motors.
- Supplied with standard module in the terminal box.
- Choose from cast iron (heating) or bronze (potable water) bodies.



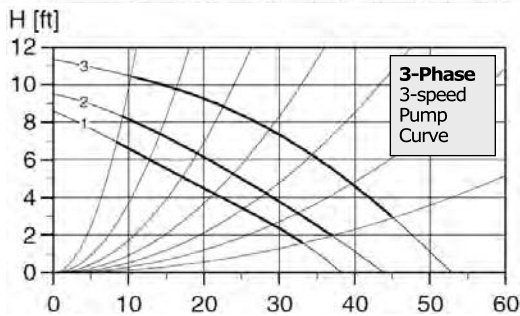
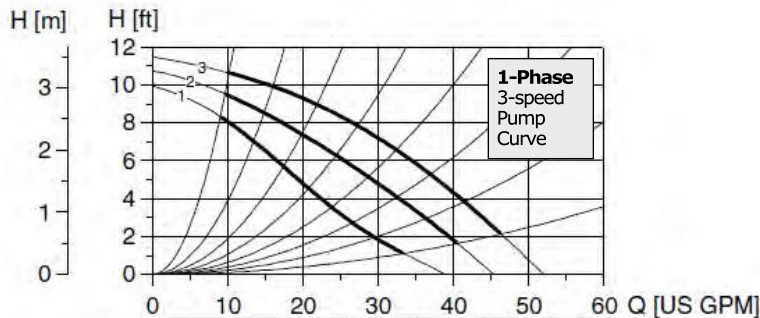
Pump comes with a pair of flange gaskets.

Need a complete flange set with flanges, nuts, bolts & gaskets? See adjoining ordering table.

[CLICK for Replacement Pump Head](#)

UPS 32-40/4 Specification

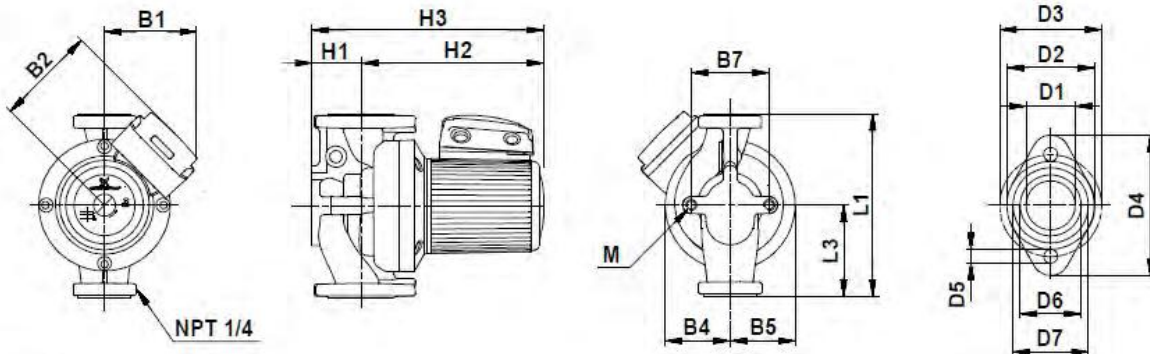
| Cast Iron Product No. | Bronze Product No. | Flange Conn. | Voltage & Phase | HP | Ship Wgt, lbs. | Order No. Cast Iron | Ship Wgt, lbs. | Order No. Bronze |
|---|--------------------|-------------------|-----------------|------|----------------|---------------------|----------------|------------------|
| 96402694 | 96402701 | Varies, See Below | 230V/1 | 0.33 | 38 | GN1133 | 42 | GN1133E |
| 96402695 | 96402702 | | 208-230/3 | | 37 | GN1133A | 42 | GN1133H |
| GF15/26 Flange Set includes all the flanges, nuts, bolts and gaskets. GF15/26 Flange Gasket: 1 ea., GN2105 | | | ¾" NPT | | 2.3 | GN2040 | 2.1 | GN2060 |
| | | | 1" NPT | | 2.3 | GN2045 | 2.1 | GN2065 |
| | | | 1¼" NPT | | 2.2 | GN2050 | 2.1 | GN2070 |
| | | | 1½" NPT | | 2.2 | GN2055 | — | — |



- Flow range: 9 - 52 gpm
- Head range: 1 - 11 ft
- Motor: 4-pole 0.33 Hp
- Max. liquid temp (Open): +140 °F
- Max. liquid temp.: +248 °F
- Min. liquid temp.: +32 °F
- Max. system pressure: 145 psi
- Net wt: 35.9 lbs (16.3 kg)
- Gross wt.: 43.4 lbs (19.7 kg)
- Shipping volume: 1.70 ft³ (0.048 m³)
- Net wt. bronze: 39.2 lbs (17.8 kg)
- Gross wt. bronze: 46.7 lbs (21.2 kg)
- Shipping volume bronze: 1.70 ft³ (0.048 m³)

Electrical data, pump running Not startup

| Speed | Max Amps @ Voltage | | | |
|-------|--------------------|------|---------|------|
| | 115 | 230 | 208-230 | 460 |
| 3 | 1.08 | 0.54 | 0.56 | 0.28 |
| 2 | 1.04 | 0.52 | 0.26 | 0.13 |
| 1 | 0.95 | 0.95 | 0.24 | — |



Dimensions

| Model | L1 | L3 | B1 | B2 | B4 | B5 | B7 | H1 | H2 | H3 | D1 | D2 | D3 | D4 | D5 | D6 | D7 | M |
|-------------|------|-------|------|------|------|------|------|------|------|------|-------|------|------|------|------|------|------|------|
| UPS 32-40/4 | [in] | 11.00 | 5.50 | 5.31 | 5.56 | 3.00 | 3.00 | 3.19 | 2.69 | 9.50 | 12.24 | 1.44 | 2.56 | 3.14 | 4.63 | 0.50 | 1.81 | 2.25 |
| | [mm] | 279 | 140 | 135 | 141 | 76 | 76 | 81 | 68 | 241 | 311 | 37 | 65 | 80 | 117 | 13 | 46 | 57 |

TM02 0729 5100