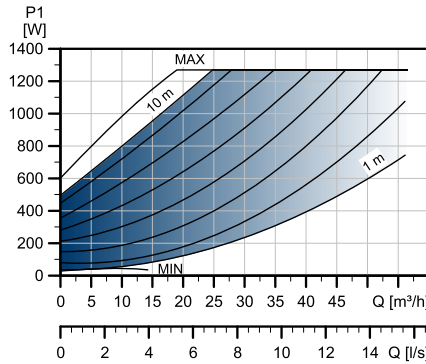
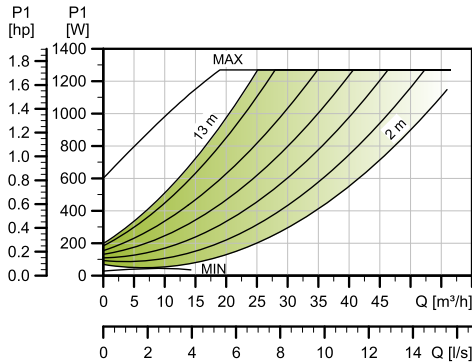
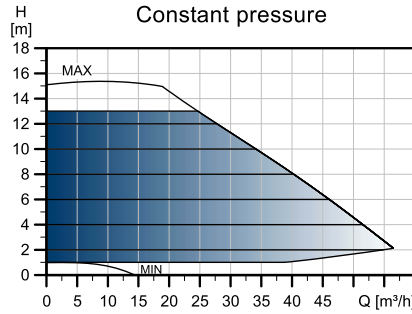
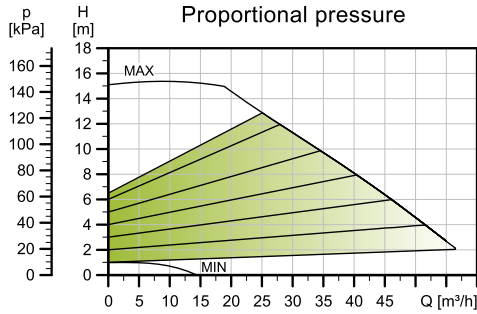


MAGNA3 65-150 F (N)

1 x 230 V, 50/60 Hz



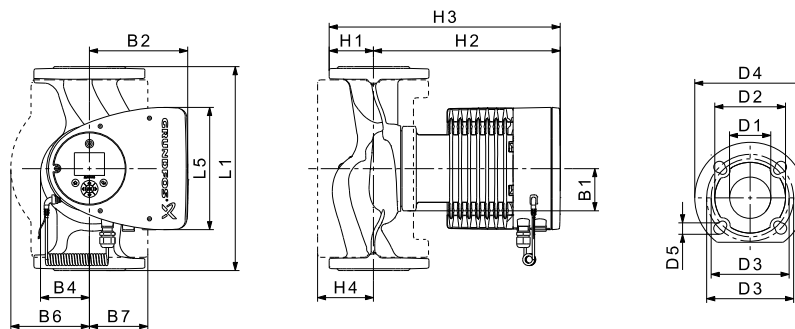
TM05 3751 1912

Speed	P1 [W]	I _{1/1} [A]
Min.	29	0.30
Max.	1301	5.68

The pump incorporates overload protection.

Net weights [kg]	Gross weights [kg]	Ship. vol. [m ³]
24.0	27.8	0.06

Connections: See Counter flanges, page 39.
 System pressure: Max. 1.0 MPa (10 bar). Also available as max. 1.6 MPa (16 bar).
 Liquid temperature: -10 °C to +110 °C (TF 110).
 Also available with: Stainless-steel pump housing, type N.
 Specific EEI: 0.17.



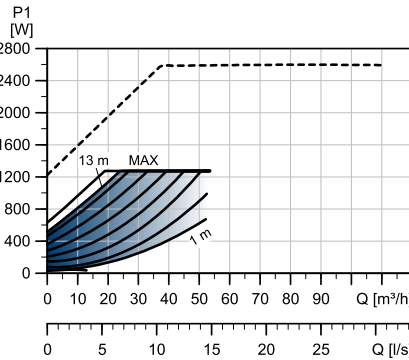
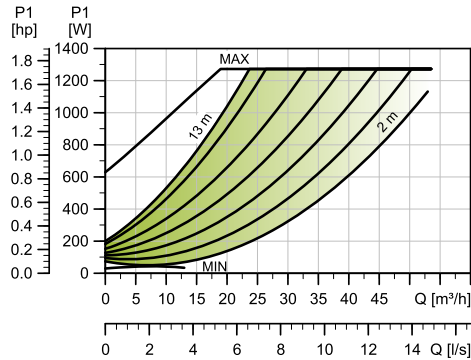
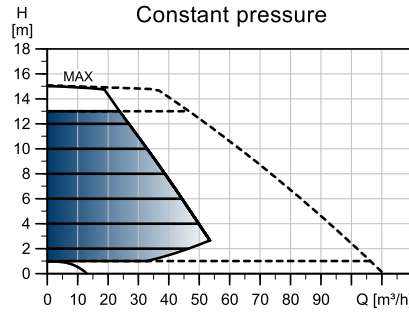
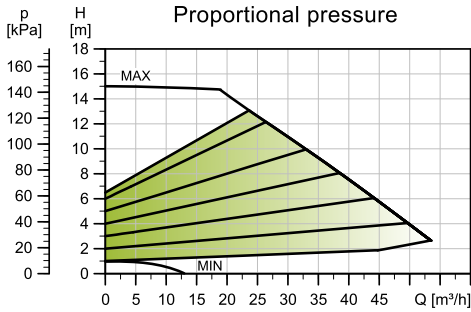
TM05 2204 3612

Pump type	Dimensions [mm]															
	L1	L5	B1	B2	B4	B6	B7	H1	H2	H3	H4	D1	D2	D3	D4	D5
MAGNA3 65-150 F (N)	340	204	84	164	73	133	133	74	312	386	94	65	119	130/145	185	14/19

For product numbers, see page 106.

MAGNA3 D 65-150 F

1 x 230 V, 50/60 Hz



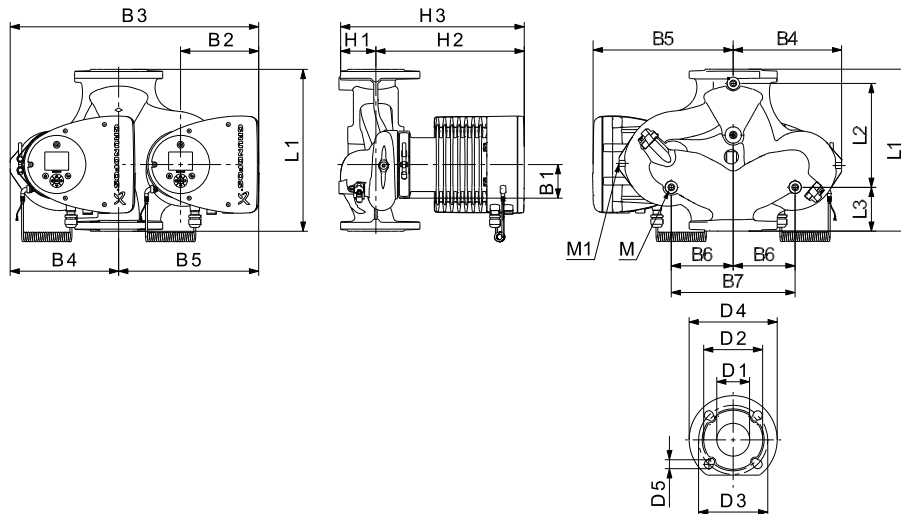
TM05 3776 1912

Speed	P1 [W]	I _{1/1} [A]
Min.	29	0.30
Max.	1301	5.68

The pump incorporates overload protection.

Connections: See Counter flanges, page 39.
 System pressure: Max. 1.0 MPa (10 bar). Also available as max. 1.6 MPa (16 bar).
 Liquid temperature: -10 °C to +110 °C (TF 110).
 Specific EEI: 0.17.

Net weights [kg]	Gross weights [kg]	Ship. vol. [m ³]
44.6	53.7	0.06



TM05 2205 3612

Pump type	Dimensions [mm]																				
	L1	L2	L3	L4	L5	B1	B3	B4	B5	B6	B7	H1	H2	H3	D1	D2	D3	D4	D5	M	M1
MAGNA3 D 65-150 F	340	218	92	92	204	84	522	228	294	130	260	77	312	389	65	119	130/145	185	14/19	M12	Rp 1/4

For product numbers, see page 106.