

PROJECT: _____	UNIT TAG: _____	QUANTITY: _____
REPRESENTATIVE: _____	TYPE OF SERVICE: _____	DATE: _____
ENGINEER: _____	SUBMITTED BY: _____	DATE: _____
CONTRACTOR: _____	APPROVED BY: _____	DATE: _____
	ORDER NO.: _____	DATE: _____

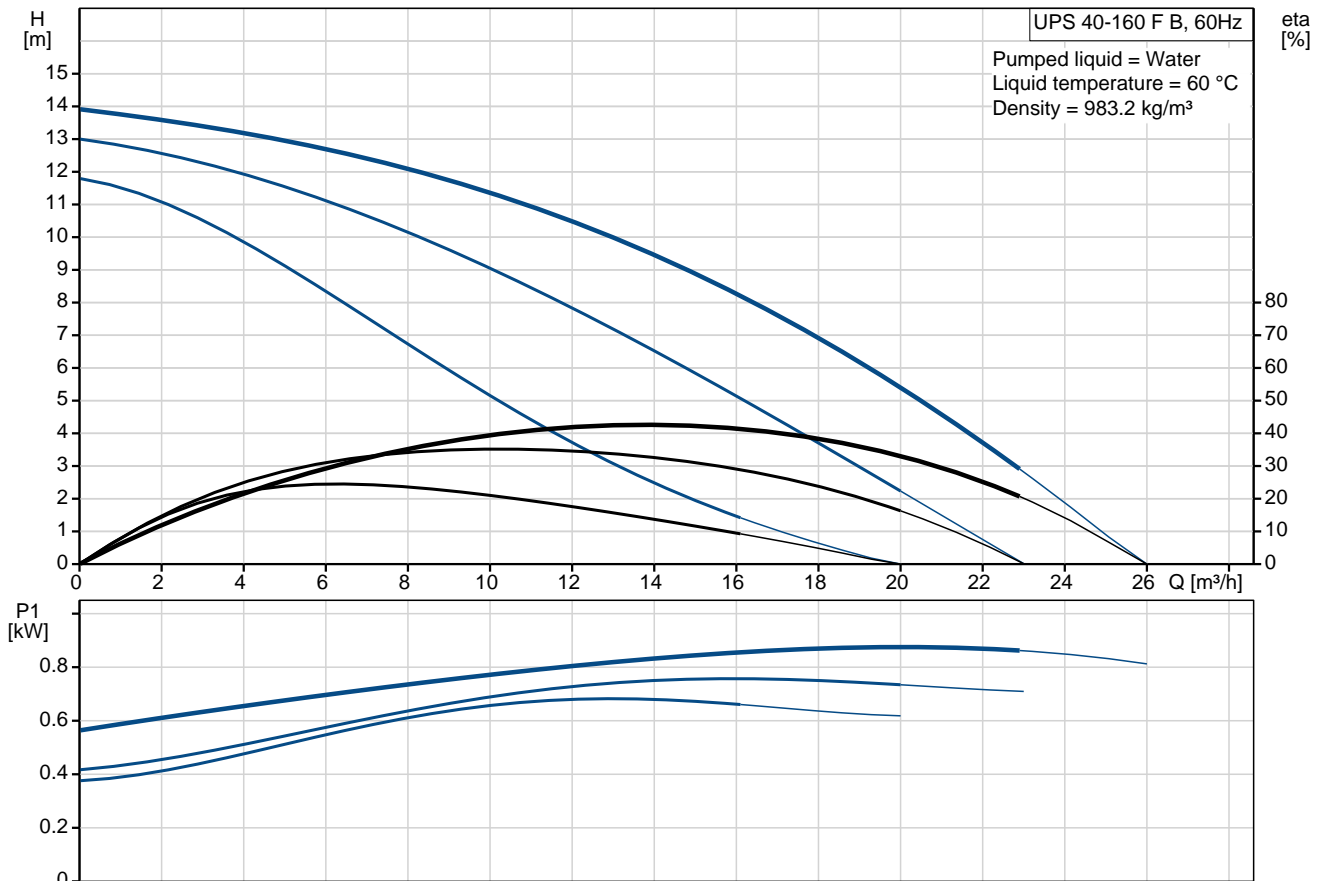


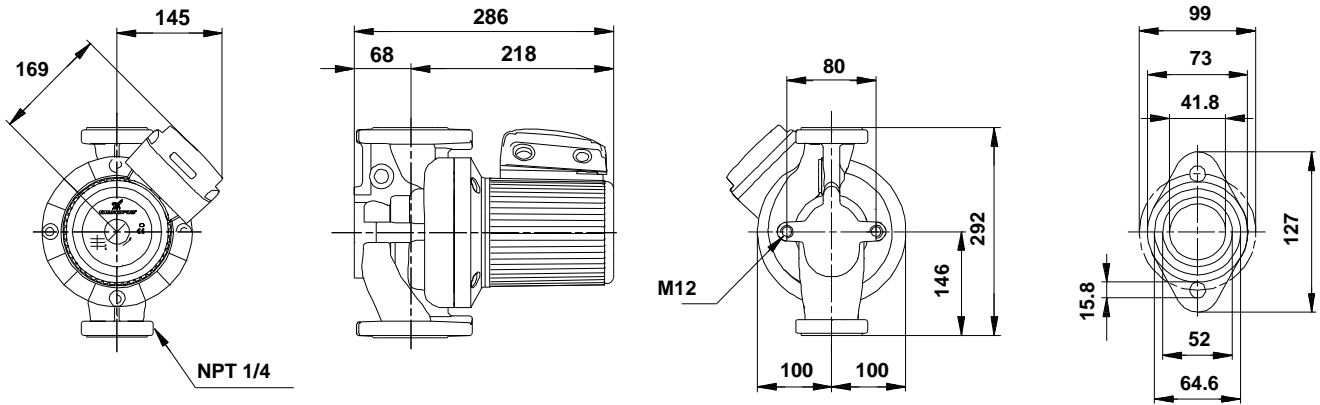
## UPS 40-160 F B

Circulator pumps

Note! Product picture may differ from actual product

Conditions of Service	Pump Data	Motor Data
Flow: _____	Maximum operating pressure: 10 bar	Max. power input: 890 W
Head: _____	Liquid temperature range: -10 .. 120 °C	Rated voltage: 115 V
Efficiency: _____	Maximum ambient temperature: 40 °C	Mains frequency: 60 Hz
Liquid: Water	Approvals: CUL	Enclosure class: X4D
Temperature: 60 °C	Type of connection: F	Insulation class: H
NPSH required: m	Flange standard: USA Oval	Motor protection: CONTACT
Viscosity: _____	Pipe connection: GF 40/43	Thermal protection: internal
Specific Gravity: 0.985	Product number: 96402787	





**Materials:**

Pump housing: Bronze  
 DIN W.-Nr. 2.1176.01  
 Impeller: Stainless steel  
 DIN W.-Nr. 1.4301  
 AISI 304

