

COSTA S

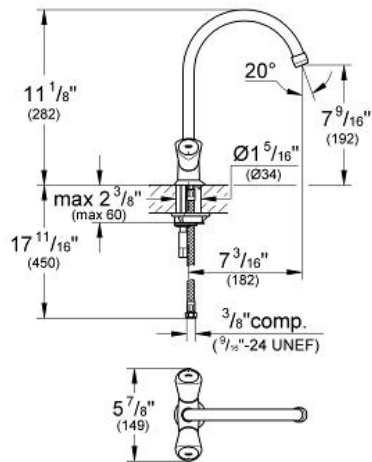
Single-hole sink mixer 1/2"

MODEL # 31074

Pure Freude an Wasser



GROHE America, Inc | 200 North Gary Avenue, Suite G, Roselle, IL 60172
 Phone: +1 (800) 444-7643 | Fax: +1 (800) 225-2778 | us-customerservice@grohe.com



Product Description:
 Single-hole sink mixer 1/2"

Standard Specification:

- Grip metal handle
- Heat-insulated
- Threaded
- Ceramic cartridge
- Swivel Spout
- Flow straightener
- Stainless Steel Braided Flexible Supplies
- Max Flow Rate: 1.75 gpm (6.6 L/min)

Applicable Codes & Standards:

- Energy Policy Act of 1992
- NSF 61
- ASME A112.18.1/CSA B125.1
- US Federal and State material regulations

Color:

- 31074 10E chrome
- 31074 001 chrome

