

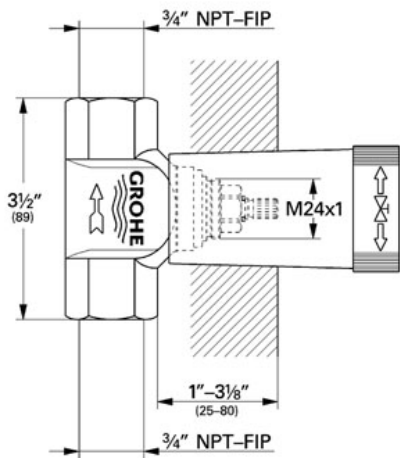
# Concealed valve 3/4", bottom part

MODEL # 29274

Pure Freude an Wasser



GROHE America, Inc | 200 North Gary Avenue, Suite G, Roselle, IL 60172  
Phone: +1 (800) 444-7643 | Fax: +1 (800) 225-2778 | us-customerservice@grohe.com



**Product Description:**  
Concealed valve 3/4", bottom part

**Standard Specification:**

- 3/4" Threaded union
- 1/2" NPT Male Threads

**Applicable Codes & Standards:**

- Energy Policy Act of 1992
- ASME A112.18.1/CSA B125.1

**Color:**  
□ 29274 000

