



Air Conditioning & Heating

GSXC18

COOLING CAPACITY : 24,000 - 60,000 BTU/H

HIGH-EFFICIENCY SPLIT SYSTEM AIR CONDITIONER UP TO 19 SEER



Contents

| | |
|-----------------------------|----|
| Nomenclature | 2 |
| Product Specifications..... | 3 |
| Expanded Cooling Data | 4 |
| AHRI Ratings | 20 |
| Wiring Diagram | 27 |
| Dimensions | 28 |
| Accessories..... | 28 |

Standard Features

- High-efficiency two-stage scroll compressor
- High-efficiency two-speed ECM condenser fan motor
- Integrated communicating ComfortBridge™ Technology
- Commissioning and diagnostics via indoor board Bluetooth with the CoolCloud™ phone and tablet application
- Factory-installed filter drier
- Factory-installed transformer
- Factory-installed high and low-pressure switches
- High-density foam compressor sound blanket
- Copeland® ComfortAlert™ built in diagnostics
- Fully charged for 15' of tubing length
- Factory-installed sensors monitoring coil and ambient temperature
- Contactor with lug connection
- In communicating mode, only two low voltage wires to the outdoor unit are required
- AHRI Certified - ETL Listed
- Ground lug connection
- Color-coded terminal strip for non-communicating set-up
- Copper tube & enhanced aluminum fin coil
- Customized control algorithms

Cabinet Features

- Heavy-gauge galvanized steel cabinet and louvered coil guards
- Service valves with sweat connections and easy-access gauge ports
- Engineered sound control top design
- Wire fan discharge grille
- Baked-on powder-paint finish with 500-hour salt-spray approval
- Single-panel access to controls with space for field-installed accessories
- Service port and controls are accessible while unit is operating
- Compact footprint
- Rust-resistant screws
- When properly anchored, meets the 2010 Florida Building Code unit integrity requirements for hurricane-type winds (Anchor bracket kits available.)



Proper sizing and installation of equipment is critical to achieving optimal performance. Split system air conditioners and heat pumps must be matched with appropriate coil components to meet ENERGY STAR® criteria. Ask your contractor for details or visit www.energystar.gov.

LIFETIME COMPRESSOR LIMITED WARRANTY*

10 YEAR REPLACEMENT LIMITED WARRANTY*

10 YEAR PARTS LIMITED WARRANTY*

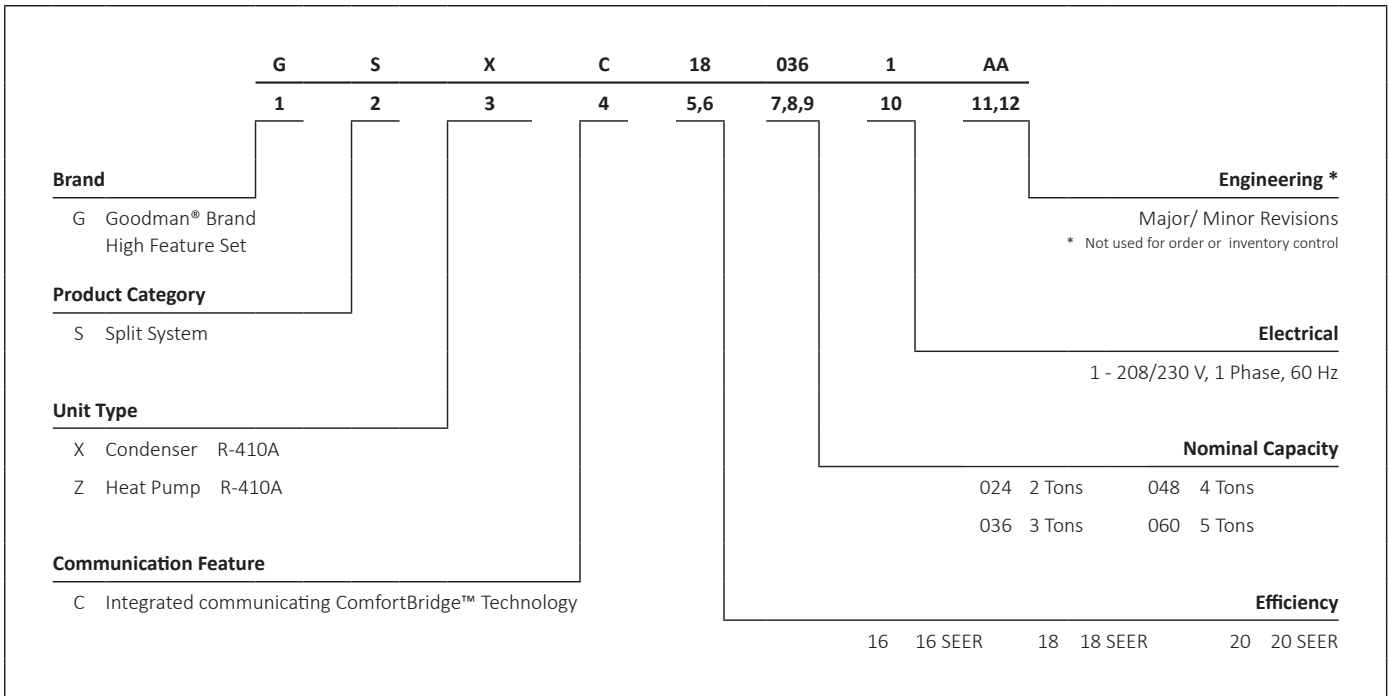






COMPANY WITH QUALITY SYSTEM CERTIFIED BY DNV GL ISO 9001

COMPANY WITH ENVIRONMENTAL SYSTEM CERTIFIED BY DNV GL ISO 14001



* Complete warranty details available from your local dealer or at www.goodmanmfg.com. To receive the Lifetime Compressor Limited Warranty (good for as long as you own your home), 10-Year Unit Replacement Limited Warranty and 10-Year Parts Limited Warranty, online registration must be completed within 60 days of installation. Online registration is not required in California or Québec.



| | GSXC18 0241B* | GSXC18 0361B* | GSXC18 0481B* | GSXC18 0601B* |
|--|---|---|---|---|
| COOLING CAPACITY | | | | |
| Nominal Cooling (BTU/h) | 24,000 | 36,000 | 48,000 | 60,000 |
| Decibels (High/Low) ³ | 71/68 | 71/69 | 74/69 | 74/70 |
| COMPRESSOR | | | | |
| RLA | 10.0 | 14.8 | 20.4 | 22.9 |
| LRA | 62.9 | 84.2 | 122.1 | 147.2 |
| CONDENSER FAN MOTOR | | | | |
| Horsepower (RPM) | ½ | ½ | ½ | ½ |
| FLA | 2.80 | 2.80 | 2.80 | 2.80 |
| REFRIGERATION SYSTEM | | | | |
| Refrigerant Line Size ¹ | | | | |
| Liquid Line Size ("O.D.) | ⅜" | ⅜" | ⅜" | ⅜" |
| Suction Line Size ("O.D.) | ¾" | ⅞" | 1⅞" | 1⅞" |
| Refrigerant Connection Size | | | | |
| Liquid Valve Size ("O.D.) | ⅜" | ⅜" | ⅜" | ⅜" |
| Suction Valve Size ("O.D.) | ¾" | ¾" | ⅞" | ⅞" |
| Valve Connection Type | Sweat | Sweat | Sweat | Sweat |
| Refrigerant Charge | 135 | 133 | 204 | 191 |
| Expansion Device | TXV | TXV | TXV | TXV |
| Superheat at Service Valve | 7-9°F | 7-9°F | 7-9°F | 7-9°F |
| Subcooling at Service Valve | 5-7°F | 5-7°F | 5-7°F | 5-7°F |
| ELECTRICAL DATA | | | | |
| Voltage-Phase-Hz | 208/230-1-60 | 208/230-1-60 | 208/230-1-60 | 208/230-1 |
| Minimum Circuit Ampacity ¹ | 15.3 | 21.3 | 28.3 | 31.4 |
| Max. Overcurrent Protection ² | 25 | 35 | 45 | 50 |
| Min / Max Volts | 197 / 253 | 197 / 253 | 197 / 253 | 197 / 253 |
| Electrical Conduit Size | ½" or ¾" | ½" or ¾" | ½" or ¾" | ½" or ¾" |
| EQUIPMENT WEIGHT (LBS) | 214 | 216 | 276 | 304 |
| SHIP WEIGHT (LBS) | 236 | 238 | 298 | 326 |
| ENERGY STAR® CERTIFIED ^ |  |  |  |  |

^ ENERGY STAR NOTES

- Proper sizing and installation of equipment is critical to achieving optimal performance. Split system air conditioners and heat pumps must be matched with appropriate coil components to meet ENERGY STAR criteria. Ask your contractor for details or visit www.energystar.gov.
- The www.energystar.gov website provides up-to-date system combinations certified to meet ENERGY STAR requirements.
- See Page 16 for all ENERGY STAR certified combinations as of this document's revision date.

¹ Wire size should be determined in accordance with National Electrical Codes; extensive wire runs will require larger wire sizes

² Must use time-delay fuses or HACR-type circuit breakers of the same size as noted.

³ Sound dBA ratings are based upon ANSI/AHRI Standard 220. Accordingly, all sound power levels are A-weighted.

NOTES

- Always check the S&R plate for electrical data on the unit being installed.
- Installer will need to supply ¾" to 1⅞" adapters for suction line connections.
- Unit is charged with refrigerant for 15' of ⅜" liquid line. System charge must be adjusted per Installation Instructions Final Charge Procedure.
- Installation of these units that require a TXV Kit to be installed on the indoor coil.
- PLEASE NOTE: the specified TXV is determined by the outdoor unit, not the indoor coil.

EXPANDED COOLING DATA — GSXC180241B*+CA*F3137*6A*+EEP+TXV LOW STAGE

| IDB | AIRFLOW | OUTDOOR AMBIENT TEMPERATURE | | | | | | | | | | | | ENTERING INDOOR WET BULB TEMPERATURE | | | | | | | | | | | |
|-----|---------|-----------------------------|------|------|------|------|------|------|------|------|------|------|------|--------------------------------------|------|------|------|-------|------|------|------|-------|------|------|----|
| | | 65°F | | | | 75°F | | | | 85°F | | | | 95°F | | | | 105°F | | | | 115°F | | | |
| | | 59 | 63 | 67 | 71 | 59 | 63 | 67 | 71 | 59 | 63 | 67 | 71 | 59 | 63 | 67 | 71 | 59 | 63 | 67 | 71 | 59 | 63 | 67 | 71 |
| 70 | kBh | 17.4 | 17.6 | 18.1 | - | 17.2 | 17.4 | 18.0 | - | 16.8 | 17.0 | 17.5 | - | 16.0 | 16.2 | 16.7 | - | 15.0 | 15.3 | 15.8 | - | 14.2 | 14.4 | 14.9 | - |
| | S/T | 0.64 | 0.56 | 0.43 | - | 0.65 | 0.57 | 0.43 | - | 1.00 | 0.60 | 0.46 | - | 1.00 | 0.62 | 0.48 | - | 1.00 | 0.64 | 0.50 | - | 1.00 | 1.00 | 0.55 | - |
| | ΔT | 20 | 18 | 14 | - | 20 | 18 | 14 | - | 20 | 18 | 15 | - | 20 | 18 | 14 | - | 19 | 18 | 14 | - | 21 | 19 | 15 | - |
| | Lo PR | 129 | 130 | 134 | - | 137 | 138 | 141 | - | 143 | 145 | 148 | - | 149 | 151 | 154 | - | 155 | 156 | 160 | - | 162 | 164 | 167 | - |
| | Hi PR | 219 | 220 | 221 | - | 253 | 254 | 256 | - | 290 | 290 | 292 | - | 328 | 329 | 331 | - | 370 | 371 | 373 | - | 415 | 416 | 417 | - |
| | Amps | 2.9 | 2.9 | 2.9 | - | 3.3 | 3.3 | 3.3 | - | 3.7 | 3.7 | 3.7 | - | 4.2 | 4.2 | 4.2 | - | 4.7 | 4.7 | 4.7 | - | 5.4 | 5.4 | 5.4 | - |
| KW | 0.84 | 0.84 | 0.84 | - | 0.93 | 0.93 | 0.93 | - | 1.03 | 1.03 | 1.03 | - | 1.14 | 1.14 | 1.14 | - | 1.27 | 1.26 | 1.26 | - | 1.41 | 1.41 | 1.41 | - | |
| 760 | kBh | 17.5 | 17.8 | 18.3 | - | 17.4 | 17.6 | 18.1 | - | 16.9 | 17.2 | 17.7 | - | 16.1 | 16.4 | 16.9 | - | 15.2 | 15.4 | 15.9 | - | 14.3 | 14.6 | 15.1 | - |
| | S/T | 0.68 | 0.60 | 0.47 | - | 0.69 | 0.61 | 0.47 | - | 1.00 | 0.64 | 0.50 | - | 1.00 | 0.66 | 0.52 | - | 1.00 | 0.68 | 0.54 | - | 1.00 | 1.00 | 0.59 | - |
| | ΔT | 19 | 17 | 14 | - | 19 | 17 | 14 | - | 19 | 17 | 14 | - | 19 | 17 | 14 | - | 19 | 17 | 13 | - | 20 | 18 | 14 | - |
| | Lo PR | 130 | 132 | 135 | - | 138 | 140 | 143 | - | 145 | 146 | 150 | - | 151 | 152 | 155 | - | 156 | 158 | 161 | - | 163 | 165 | 168 | - |
| | Hi PR | 220 | 221 | 223 | - | 255 | 256 | 257 | - | 291 | 292 | 293 | - | 330 | 331 | 332 | - | 372 | 373 | 374 | - | 416 | 417 | 419 | - |
| | Amps | 2.9 | 2.9 | 2.9 | - | 3.3 | 3.3 | 3.3 | - | 3.7 | 3.7 | 3.7 | - | 4.2 | 4.2 | 4.2 | - | 4.8 | 4.8 | 4.7 | - | 5.4 | 5.4 | 5.4 | - |
| KW | 0.84 | 0.84 | 0.84 | - | 0.93 | 0.93 | 0.93 | - | 1.04 | 1.04 | 1.03 | - | 1.15 | 1.15 | 1.14 | - | 1.27 | 1.27 | 1.27 | - | 1.41 | 1.41 | 1.41 | - | |
| 830 | kBh | 17.7 | 18.0 | 18.5 | - | 17.6 | 17.8 | 18.4 | - | 17.1 | 17.4 | 17.9 | - | 16.4 | 16.6 | 17.1 | - | 15.4 | 15.7 | 16.2 | - | 14.5 | 14.8 | 15.3 | - |
| | S/T | 0.71 | 0.63 | 0.50 | - | 0.72 | 0.64 | 0.50 | - | 1.00 | 0.67 | 0.53 | - | 1.00 | 0.69 | 0.55 | - | 1.00 | 0.71 | 0.57 | - | 1.00 | 1.00 | 0.62 | - |
| | ΔT | 18 | 16 | 13 | - | 18 | 16 | 13 | - | 18 | 17 | 13 | - | 18 | 16 | 13 | - | 18 | 16 | 13 | - | 19 | 17 | 14 | - |
| | Lo PR | 132 | 133 | 137 | - | 140 | 141 | 145 | - | 147 | 148 | 151 | - | 152 | 154 | 157 | - | 158 | 160 | 163 | - | 165 | 167 | 170 | - |
| | Hi PR | 222 | 223 | 224 | - | 256 | 257 | 259 | - | 292 | 293 | 295 | - | 331 | 332 | 334 | - | 373 | 374 | 376 | - | 418 | 419 | 420 | - |
| | Amps | 2.9 | 2.9 | 2.9 | - | 3.3 | 3.3 | 3.3 | - | 3.8 | 3.8 | 3.8 | - | 4.2 | 4.2 | 4.2 | - | 4.8 | 4.8 | 4.8 | - | 5.4 | 5.4 | 5.4 | - |
| KW | 0.85 | 0.85 | 0.84 | - | 0.94 | 0.94 | 0.94 | - | 1.04 | 1.04 | 1.04 | - | 1.15 | 1.15 | 1.15 | - | 1.27 | 1.27 | 1.27 | - | 1.42 | 1.42 | 1.41 | - | |

| | | | | | | | | | | | | | | | | | | | | | | | | | |
|-----|-------|------|------|------|------|------|------|------|------|------|------|------|------|------|------|------|------|------|------|------|------|------|------|------|------|
| 690 | kBh | 17.4 | 17.6 | 18.1 | 18.9 | 17.2 | 17.5 | 18.0 | 18.8 | 16.8 | 17.0 | 17.5 | 18.3 | 16.0 | 16.2 | 16.7 | 17.5 | 15.0 | 15.3 | 15.8 | 16.6 | 14.2 | 14.4 | 14.9 | 15.7 |
| | S/T | 0.77 | 0.70 | 0.56 | 0.41 | 1.00 | 0.70 | 0.56 | 0.42 | 1.00 | 0.73 | 0.59 | 0.44 | 1.00 | 0.75 | 0.61 | 0.46 | 1.00 | 1.00 | 0.63 | 0.49 | 1.00 | 1.00 | 0.68 | 0.54 |
| | ΔT | 24 | 22 | 18 | 15 | 24 | 22 | 18 | 15 | 24 | 22 | 19 | 15 | 24 | 22 | 18 | 15 | 23 | 22 | 18 | 15 | 25 | 23 | 19 | 16 |
| | Lo PR | 129 | 130 | 134 | 139 | 137 | 138 | 141 | 147 | 143 | 145 | 148 | 154 | 149 | 151 | 154 | 160 | 155 | 157 | 160 | 165 | 162 | 164 | 167 | 172 |
| | Hi PR | 219 | 220 | 222 | 225 | 254 | 255 | 256 | 260 | 290 | 291 | 292 | 296 | 329 | 330 | 331 | 335 | 370 | 371 | 373 | 377 | 415 | 416 | 418 | 421 |
| | Amps | 2.9 | 2.9 | 2.9 | 2.9 | 3.3 | 3.3 | 3.3 | 3.3 | 3.7 | 3.7 | 3.7 | 3.8 | 4.2 | 4.2 | 4.2 | 4.2 | 4.7 | 4.7 | 4.7 | 4.8 | 5.4 | 5.4 | 5.4 | 5.4 |
| KW | 0.84 | 0.84 | 0.84 | 0.84 | 0.93 | 0.93 | 0.93 | 0.94 | 1.03 | 1.03 | 1.03 | 1.04 | 1.14 | 1.14 | 1.14 | 1.15 | 1.26 | 1.26 | 1.26 | 1.27 | 1.41 | 1.41 | 1.41 | 1.41 | |
| 75 | kBh | 17.5 | 17.8 | 18.3 | 19.1 | 17.4 | 17.6 | 18.1 | 18.9 | 16.9 | 17.2 | 17.7 | 18.5 | 16.1 | 16.4 | 16.9 | 17.7 | 15.2 | 15.4 | 16.0 | 16.7 | 14.3 | 14.6 | 15.1 | 15.9 |
| | S/T | 0.81 | 0.74 | 0.60 | 0.45 | 1.00 | 0.74 | 0.60 | 0.46 | 1.00 | 0.77 | 0.63 | 0.48 | 1.00 | 0.79 | 0.65 | 0.50 | 1.00 | 1.00 | 0.67 | 0.53 | 1.00 | 1.00 | 0.72 | 0.58 |
| | ΔT | 23 | 21 | 18 | 14 | 23 | 21 | 18 | 14 | 23 | 21 | 18 | 14 | 23 | 21 | 18 | 14 | 23 | 21 | 17 | 14 | 24 | 22 | 19 | 15 |
| | Lo PR | 130 | 132 | 135 | 140 | 138 | 140 | 143 | 148 | 145 | 146 | 150 | 155 | 151 | 152 | 155 | 161 | 156 | 158 | 161 | 167 | 163 | 165 | 168 | 174 |
| | Hi PR | 220 | 221 | 223 | 227 | 255 | 256 | 257 | 261 | 291 | 292 | 293 | 297 | 330 | 331 | 332 | 336 | 372 | 373 | 374 | 378 | 416 | 417 | 419 | 423 |
| | Amps | 2.9 | 2.9 | 2.9 | 2.9 | 3.3 | 3.3 | 3.3 | 3.3 | 3.7 | 3.7 | 3.7 | 3.8 | 4.2 | 4.2 | 4.2 | 4.2 | 4.8 | 4.8 | 4.7 | 4.8 | 5.4 | 5.4 | 5.4 | 5.4 |
| KW | 0.84 | 0.84 | 0.84 | 0.85 | 0.93 | 0.93 | 0.93 | 0.94 | 1.04 | 1.03 | 1.03 | 1.04 | 1.15 | 1.14 | 1.14 | 1.15 | 1.27 | 1.27 | 1.27 | 1.27 | 1.41 | 1.41 | 1.41 | 1.41 | |
| 760 | kBh | 17.8 | 18.0 | 18.5 | 19.3 | 17.6 | 17.8 | 18.4 | 19.2 | 17.2 | 17.4 | 17.9 | 18.7 | 16.4 | 16.6 | 17.1 | 17.9 | 15.4 | 15.7 | 16.2 | 17.0 | 14.6 | 14.8 | 15.3 | 16.1 |
| | S/T | 0.84 | 0.77 | 0.63 | 0.48 | 1.00 | 0.77 | 0.63 | 0.49 | 1.00 | 0.80 | 0.66 | 0.51 | 1.00 | 0.82 | 0.68 | 0.53 | 1.00 | 1.00 | 0.70 | 0.56 | 1.00 | 1.00 | 0.76 | 0.61 |
| | ΔT | 22 | 20 | 17 | 13 | 22 | 20 | 17 | 13 | 22 | 21 | 17 | 14 | 22 | 20 | 17 | 13 | 22 | 20 | 17 | 13 | 23 | 21 | 18 | 14 |
| | Lo PR | 132 | 133 | 137 | 142 | 140 | 141 | 145 | 150 | 147 | 148 | 151 | 157 | 152 | 154 | 157 | 163 | 158 | 160 | 163 | 168 | 165 | 167 | 170 | 175 |
| | Hi PR | 222 | 223 | 224 | 228 | 256 | 257 | 259 | 263 | 292 | 293 | 295 | 299 | 331 | 332 | 334 | 338 | 373 | 374 | 376 | 380 | 418 | 419 | 420 | 424 |
| | Amps | 2.9 | 2.9 | 2.9 | 2.9 | 3.3 | 3.3 | 3.3 | 3.3 | 3.8 | 3.8 | 3.7 | 3.8 | 4.2 | 4.2 | 4.2 | 4.3 | 4.8 | 4.8 | 4.8 | 4.8 | 5.4 | 5.4 | 5.4 | 5.4 |
| KW | 0.85 | 0.85 | 0.84 | 0.85 | 0.94 | 0.94 | 0.94 | 0.94 | 1.04 | 1.04 | 1.04 | 1.04 | 1.15 | 1.15 | 1.15 | 1.15 | 1.27 | 1.27 | 1.27 | 1.27 | 1.42 | 1.41 | 1.41 | 1.42 | |

IDB = Entering Indoor Dry Bulb Temperature
 High and low pressures are measured at the liquid and suction service valves.
 Shaded area is ACCA (TVA) conditions
 kW = Total system power
 Amps = outdoor unit amps (comp.+fan)

| IDB | AIRFLOW | OUTDOOR AMBIENT TEMPERATURE | | | | | | | | | | | | 105°F | | | | | | | | | | | | 115°F | | | | | | | | | | | | | | | | | | | | | | | | | | | | | | | | | | | | | | | | | | | | | | | | | | |
|-----|---------|-----------------------------|------|------|------|------|------|------|------|------|------|------|------|-------|------|------|------|------|------|------|------|------|------|------|------|-------|------|------|------|------|------|-------|------|------|------|------|------|------|------|------|------|------|------|------|------|------|------|------|------|------|------|------|------|------|------|------|------|------|------|------|------|------|------|------|------|------|------|------|------|------|------|------|------|-----|-----|-----|
| | | 65°F | | | | | | 75°F | | | | | | 85°F | | | | | | 95°F | | | | | | 105°F | | | | | | 115°F | | | | | | | | | | | | | | | | | | | | | | | | | | | | | | | | | | | | | | | | | | | | |
| | | 59 | 63 | 67 | 71 | 75 | 79 | 59 | 63 | 67 | 71 | 75 | 79 | 59 | 63 | 67 | 71 | 75 | 79 | 59 | 63 | 67 | 71 | 75 | 79 | 59 | 63 | 67 | 71 | 75 | 79 | 59 | 63 | 67 | 71 | 75 | 79 | | | | | | | | | | | | | | | | | | | | | | | | | | | | | | | | | | | | | | | |
| 80 | kBh | 17.5 | 17.7 | 18.2 | 19.0 | 17.3 | 17.5 | 18.1 | 18.9 | 16.9 | 17.1 | 17.6 | 18.4 | 16.1 | 16.3 | 16.8 | 17.6 | 15.1 | 15.4 | 15.9 | 16.7 | 14.3 | 14.5 | 15.0 | 15.8 | 17.5 | 17.7 | 18.2 | 19.0 | 17.3 | 17.5 | 18.1 | 18.9 | 16.9 | 17.1 | 17.6 | 18.4 | 16.1 | 16.3 | 16.8 | 17.6 | 15.1 | 15.4 | 15.9 | 16.7 | 14.3 | 14.5 | 15.0 | 15.8 | 17.5 | 17.7 | 18.2 | 19.0 | 17.3 | 17.5 | 18.1 | 18.9 | 16.9 | 17.1 | 17.6 | 18.4 | 16.1 | 16.3 | 16.8 | 17.6 | 15.1 | 15.4 | 15.9 | 16.7 | 14.3 | 14.5 | 15.0 | 15.8 | | | |
| | S/T | 1.00 | 0.82 | 0.69 | 0.54 | 1.00 | 0.83 | 0.69 | 0.55 | 1.00 | 1.00 | 0.72 | 0.57 | 1.00 | 1.00 | 0.74 | 0.59 | 1.00 | 1.00 | 0.76 | 0.61 | 1.00 | 1.00 | 0.76 | 0.61 | 1.00 | 0.82 | 0.69 | 0.54 | 1.00 | 1.00 | 0.72 | 0.57 | 1.00 | 1.00 | 0.72 | 0.57 | 1.00 | 1.00 | 0.74 | 0.59 | 1.00 | 1.00 | 0.76 | 0.61 | 1.00 | 1.00 | 0.76 | 0.61 | 1.00 | 0.82 | 0.69 | 0.54 | 1.00 | 1.00 | 0.72 | 0.57 | 1.00 | 1.00 | 0.72 | 0.57 | 1.00 | 1.00 | 0.74 | 0.59 | 1.00 | 1.00 | 0.76 | 0.61 | 1.00 | 1.00 | 0.76 | 0.61 | | | |
| | ΔT | 28 | 26 | 23 | 19 | 28 | 26 | 23 | 19 | 28 | 26 | 23 | 19 | 28 | 26 | 23 | 19 | 28 | 26 | 23 | 19 | 29 | 27 | 23 | 20 | 28 | 26 | 23 | 19 | 28 | 26 | 23 | 19 | 28 | 26 | 23 | 19 | 28 | 26 | 23 | 19 | 29 | 27 | 23 | 20 | 28 | 26 | 23 | 19 | 28 | 26 | 23 | 19 | 28 | 26 | 23 | 19 | 28 | 26 | 23 | 19 | 29 | 27 | 23 | 20 | | | | | | | | | | | |
| | Lo PR | 129 | 131 | 134 | 140 | 137 | 139 | 142 | 148 | 144 | 146 | 149 | 154 | 150 | 151 | 155 | 160 | 166 | 155 | 157 | 160 | 166 | 163 | 164 | 167 | 173 | 129 | 131 | 134 | 140 | 137 | 139 | 142 | 148 | 144 | 146 | 149 | 154 | 150 | 151 | 155 | 160 | 166 | 155 | 157 | 160 | 166 | 163 | 164 | 167 | 173 | 129 | 131 | 134 | 140 | 137 | 139 | 142 | 148 | 144 | 146 | 149 | 154 | 150 | 151 | 155 | 160 | 166 | 155 | 157 | 160 | 166 | 163 | 164 | 167 | 173 |
| | Hi PR | 220 | 220 | 222 | 226 | 254 | 255 | 256 | 260 | 290 | 291 | 293 | 296 | 329 | 330 | 331 | 335 | 377 | 371 | 372 | 373 | 377 | 416 | 417 | 418 | 422 | 220 | 220 | 222 | 226 | 254 | 255 | 256 | 260 | 290 | 291 | 293 | 296 | 329 | 330 | 331 | 335 | 377 | 371 | 372 | 373 | 377 | 416 | 417 | 418 | 422 | 220 | 220 | 222 | 226 | 254 | 255 | 256 | 260 | 290 | 291 | 293 | 296 | 329 | 330 | 331 | 335 | 377 | 371 | 372 | 373 | 377 | 416 | 417 | 418 | 422 |
| | Amps | 2.9 | 2.9 | 2.9 | 2.9 | 3.3 | 3.3 | 3.3 | 3.3 | 3.7 | 3.7 | 3.7 | 3.8 | 4.2 | 4.2 | 4.2 | 4.2 | 4.7 | 4.7 | 4.7 | 4.7 | 5.4 | 5.4 | 5.4 | 5.4 | 2.9 | 2.9 | 2.9 | 2.9 | 3.3 | 3.3 | 3.3 | 3.3 | 3.7 | 3.7 | 3.7 | 3.8 | 4.2 | 4.2 | 4.2 | 4.2 | 4.7 | 4.7 | 4.7 | 4.7 | 5.4 | 5.4 | 5.4 | 5.4 | 2.9 | 2.9 | 2.9 | 2.9 | 3.3 | 3.3 | 3.3 | 3.3 | 3.7 | 3.7 | 3.7 | 3.8 | 4.2 | 4.2 | 4.2 | 4.2 | 4.7 | 4.7 | 4.7 | 4.7 | 5.4 | 5.4 | 5.4 | 5.4 | | | |
| KW | 0.84 | 0.84 | 0.84 | 0.84 | 0.93 | 0.93 | 0.93 | 0.94 | 1.03 | 1.03 | 1.03 | 1.04 | 1.14 | 1.14 | 1.14 | 1.15 | 1.27 | 1.27 | 1.27 | 1.27 | 1.41 | 1.41 | 1.41 | 1.41 | 0.84 | 0.84 | 0.84 | 0.84 | 0.93 | 0.93 | 0.93 | 0.94 | 1.03 | 1.03 | 1.03 | 1.04 | 1.14 | 1.14 | 1.14 | 1.15 | 1.27 | 1.27 | 1.27 | 1.27 | 1.41 | 1.41 | 1.41 | 1.41 | 0.84 | 0.84 | 0.84 | 0.84 | 0.93 | 0.93 | 0.93 | 0.94 | 1.03 | 1.03 | 1.03 | 1.04 | 1.14 | 1.14 | 1.14 | 1.15 | 1.27 | 1.27 | 1.27 | 1.27 | 1.41 | 1.41 | 1.41 | 1.41 | | | | |
| 830 | kBh | 17.8 | 18.1 | 18.6 | 19.4 | 17.7 | 17.9 | 18.5 | 19.2 | 17.2 | 17.5 | 18.0 | 18.8 | 16.5 | 16.7 | 17.2 | 18.0 | 15.5 | 15.8 | 16.3 | 17.1 | 14.6 | 14.9 | 15.4 | 16.2 | 17.8 | 18.1 | 18.6 | 19.4 | 17.7 | 17.9 | 18.5 | 19.2 | 17.2 | 17.5 | 18.0 | 18.8 | 16.5 | 16.7 | 17.2 | 18.0 | 15.5 | 15.8 | 16.3 | 17.1 | 14.6 | 14.9 | 15.4 | 16.2 | 17.8 | 18.1 | 18.6 | 19.4 | 17.7 | 17.9 | 18.5 | 19.2 | 17.2 | 17.5 | 18.0 | 18.8 | 16.5 | 16.7 | 17.2 | 18.0 | 15.5 | 15.8 | 16.3 | 17.1 | 14.6 | 14.9 | 15.4 | 16.2 | | | |
| | S/T | 1.00 | 0.90 | 0.76 | 0.61 | 1.00 | 0.90 | 0.76 | 0.62 | 1.00 | 1.00 | 0.79 | 0.64 | 1.00 | 1.00 | 0.81 | 0.66 | 1.00 | 1.00 | 0.83 | 0.68 | 1.00 | 1.00 | 0.83 | 0.68 | 1.00 | 0.90 | 0.76 | 0.61 | 1.00 | 1.00 | 0.79 | 0.64 | 1.00 | 1.00 | 0.81 | 0.66 | 1.00 | 1.00 | 0.83 | 0.68 | 1.00 | 1.00 | 0.83 | 0.68 | 1.00 | 1.00 | 0.83 | 0.68 | 1.00 | 0.90 | 0.76 | 0.61 | 1.00 | 1.00 | 0.79 | 0.64 | 1.00 | 1.00 | 0.81 | 0.66 | 1.00 | 1.00 | 0.83 | 0.68 | 1.00 | 1.00 | 0.83 | 0.68 | 1.00 | 1.00 | 0.83 | 0.68 | | | |
| | ΔT | 26 | 24 | 21 | 17 | 26 | 24 | 21 | 17 | 27 | 25 | 21 | 18 | 26 | 24 | 21 | 17 | 26 | 24 | 21 | 17 | 27 | 25 | 22 | 18 | 26 | 24 | 21 | 17 | 26 | 24 | 21 | 17 | 27 | 25 | 21 | 18 | 26 | 24 | 21 | 17 | 26 | 24 | 21 | 17 | 27 | 25 | 22 | 18 | 26 | 24 | 21 | 17 | 26 | 24 | 21 | 17 | 27 | 25 | 21 | 18 | 26 | 24 | 21 | 17 | 26 | 24 | 21 | 17 | 27 | 25 | 22 | 18 | | | |
| | Lo PR | 132 | 134 | 137 | 143 | 140 | 142 | 145 | 151 | 147 | 149 | 152 | 157 | 153 | 154 | 158 | 163 | 169 | 159 | 160 | 163 | 169 | 166 | 167 | 171 | 176 | 132 | 134 | 137 | 143 | 140 | 142 | 145 | 151 | 147 | 149 | 152 | 157 | 153 | 154 | 158 | 163 | 169 | 159 | 160 | 163 | 169 | 166 | 167 | 171 | 176 | 132 | 134 | 137 | 143 | 140 | 142 | 145 | 151 | 147 | 149 | 152 | 157 | 153 | 154 | 158 | 163 | 169 | 159 | 160 | 163 | 169 | 166 | 167 | 171 | 176 |
| | Hi PR | 222 | 223 | 225 | 229 | 257 | 258 | 259 | 263 | 293 | 294 | 295 | 299 | 332 | 333 | 334 | 338 | 374 | 374 | 375 | 376 | 380 | 418 | 419 | 421 | 425 | 222 | 223 | 225 | 229 | 257 | 258 | 259 | 263 | 293 | 294 | 295 | 299 | 332 | 333 | 334 | 338 | 374 | 374 | 375 | 376 | 380 | 418 | 419 | 421 | 425 | 222 | 223 | 225 | 229 | 257 | 258 | 259 | 263 | 293 | 294 | 295 | 299 | 332 | 333 | 334 | 338 | 374 | 374 | 375 | 376 | 380 | 418 | 419 | 421 | 425 |
| | Amps | 2.9 | 2.9 | 2.9 | 2.9 | 3.3 | 3.3 | 3.3 | 3.3 | 3.8 | 3.8 | 3.8 | 3.8 | 4.2 | 4.2 | 4.2 | 4.2 | 4.8 | 4.8 | 4.8 | 4.8 | 5.4 | 5.4 | 5.4 | 5.4 | 2.9 | 2.9 | 2.9 | 2.9 | 3.3 | 3.3 | 3.3 | 3.3 | 3.8 | 3.8 | 3.8 | 3.8 | 4.2 | 4.2 | 4.2 | 4.2 | 4.8 | 4.8 | 4.8 | 4.8 | 5.4 | 5.4 | 5.4 | 5.4 | 2.9 | 2.9 | 2.9 | 2.9 | 3.3 | 3.3 | 3.3 | 3.3 | 3.8 | 3.8 | 3.8 | 3.8 | 4.2 | 4.2 | 4.2 | 4.2 | 4.8 | 4.8 | 4.8 | 4.8 | 5.4 | 5.4 | 5.4 | 5.4 | | | |
| KW | 0.85 | 0.85 | 0.84 | 0.85 | 0.94 | 0.94 | 0.94 | 0.94 | 1.04 | 1.04 | 1.04 | 1.04 | 1.15 | 1.15 | 1.15 | 1.15 | 1.27 | 1.27 | 1.27 | 1.27 | 1.41 | 1.41 | 1.41 | 1.42 | 0.85 | 0.85 | 0.84 | 0.85 | 0.94 | 0.94 | 0.94 | 0.94 | 1.04 | 1.04 | 1.04 | 1.04 | 1.15 | 1.15 | 1.15 | 1.15 | 1.27 | 1.27 | 1.27 | 1.27 | 1.41 | 1.41 | 1.41 | 1.42 | 0.85 | 0.85 | 0.84 | 0.85 | 0.94 | 0.94 | 0.94 | 0.94 | 1.04 | 1.04 | 1.04 | 1.04 | 1.15 | 1.15 | 1.15 | 1.15 | 1.27 | 1.27 | 1.27 | 1.27 | 1.41 | 1.41 | 1.41 | 1.42 | | | | |

| IDB | AIRFLOW | OUTDOOR AMBIENT TEMPERATURE | | | | | | | | | | | | 105°F | | | | | | | | | | | | 115°F | | | | | | | | | | | | | | | | | | | | | | | | | | | | | | | | | | | | | | | | | | | | | | | | | | |
|-----|---------|-----------------------------|------|------|------|------|------|------|------|------|------|------|------|-------|------|------|------|------|------|------|------|------|------|------|------|-------|------|------|------|------|------|-------|------|------|------|------|------|------|------|------|------|------|------|------|------|------|------|------|------|------|------|------|------|------|------|------|------|------|------|------|------|------|------|------|------|------|------|------|------|------|------|------|------|-----|-----|-----|
| | | 65°F | | | | | | 75°F | | | | | | 85°F | | | | | | 95°F | | | | | | 105°F | | | | | | 115°F | | | | | | | | | | | | | | | | | | | | | | | | | | | | | | | | | | | | | | | | | | | | |
| | | 59 | 63 | 67 | 71 | 75 | 79 | 59 | 63 | 67 | 71 | 75 | 79 | 59 | 63 | 67 | 71 | 75 | 79 | 59 | 63 | 67 | 71 | 75 | 79 | 59 | 63 | 67 | 71 | 75 | 79 | 59 | 63 | 67 | 71 | 75 | 79 | | | | | | | | | | | | | | | | | | | | | | | | | | | | | | | | | | | | | | | |
| 85 | kBh | 17.7 | 18.0 | 18.5 | 19.3 | 17.6 | 17.8 | 18.4 | 19.1 | 17.1 | 17.4 | 17.9 | 18.7 | 16.4 | 16.6 | 17.1 | 17.9 | 15.4 | 15.7 | 16.2 | 17.0 | 14.5 | 14.8 | 15.3 | 16.1 | 17.7 | 18.0 | 18.5 | 19.3 | 17.6 | 17.8 | 18.4 | 19.1 | 17.1 | 17.4 | 17.9 | 18.7 | 16.4 | 16.6 | 17.1 | 17.9 | 15.4 | 15.7 | 16.2 | 17.0 | 14.5 | 14.8 | 15.3 | 16.1 | 17.7 | 18.0 | 18.5 | 19.3 | 17.6 | 17.8 | 18.4 | 19.1 | 17.1 | 17.4 | 17.9 | 18.7 | 16.4 | 16.6 | 17.1 | 17.9 | 15.4 | 15.7 | 16.2 | 17.0 | 14.5 | 14.8 | 15.3 | 16.1 | | | |
| | S/T | 1.00 | 0.93 | 0.79 | 0.64 | 1.00 | 1.00 | 0.80 | 0.65 | 1.00 | 1.00 | 0.82 | 0.68 | 1.00 | 1.00 | 0.84 | 0.70 | 1.00 | 1.00 | 0.72 | 0.61 | 1.00 | 1.00 | 0.72 | 0.61 | 1.00 | 0.93 | 0.79 | 0.64 | 1.00 | 1.00 | 0.80 | 0.65 | 1.00 | 1.00 | 0.82 | 0.68 | 1.00 | 1.00 | 0.84 | 0.70 | 1.00 | 1.00 | 0.72 | 0.61 | 1.00 | 1.00 | 0.72 | 0.61 | 1.00 | 0.93 | 0.79 | 0.64 | 1.00 | 1.00 | 0.80 | 0.65 | 1.00 | 1.00 | 0.82 | 0.68 | 1.00 | 1.00 | 0.84 | 0.70 | 1.00 | 1.00 | 0.72 | 0.61 | 1.00 | 1.00 | 0.72 | 0.61 | | | |
| | ΔT | 32 | 30 | 26 | 23 | 32 | 30 | 26 | 23 | 32 | 30 | 26 | 23 | 32 | 30 | 26 | 23 | 31 | 29 | 26 | 22 | 32 | 31 | 27 | 23 | 32 | 30 | 26 | 23 | 32 | 30 | 26 | 23 | 32 | 30 | 26 | 23 | 31 | 29 | 26 | 22 | 32 | 31 | 27 | 23 | 32 | 30 | 26 | 23 | 32 | 30 | 26 | 23 | 32 | 30 | 26 | 23 | 31 | 29 | 26 | 22 | 32 | 31 | 27 | 23 | | | | | | | | | | | |
| | Lo PR | 131 | 133 | 136 | 142 | 139 | 141 | 144 | 149 | 146 | 148 | 151 | 156 | 152 | 153 | 157 | 162 | 168 | 157 | 159 | 162 | 168 | 165 | 166 | 169 | 175 | 131 | 133 | 136 | 142 | 139 | 141 | 144 | 149 | 146 | 148 | 151 | 156 | 152 | 153 | 157 | 162 | 168 | 157 | 159 | 162 | 168 | 165 | 166 | 169 | 175 | 131 | 133 | 136 | 142 | 139 | 141 | 144 | 149 | 146 | 148 | 151 | 156 | 152 | 153 | 157 | 162 | 168 | 157 | 159 | 162 | 168 | 165 | 166 | 169 | 175 |
| | Hi PR | 221 | 222 | 223 | 227 | 255 | 256 | 258 | 262 | 291 | 292 | 294 | 297 | 330 | 331 | 332 | 336 | 372 | 372 | 373 | 374 | 378 | 417 | 418 | 419 | 423 | 221 | 222 | 223 | 227 | 255 | 256 | 258 | 262 | 2 | | | | | | | | | | | | | | | | | | | | | | | | | | | | | | | | | | | | | | | | | |

| IDB | AIRFLOW | OUTDOOR AMBIENT TEMPERATURE | | | | | | | | | | | | ENTERING INDOOR WET BULB TEMPERATURE | | | | | | | | | | | |
|-----|---------|-----------------------------|------|------|----|------|------|------|----|------|------|------|----|--------------------------------------|------|------|----|-------|------|------|----|-------|------|------|----|
| | | 65°F | | | | 75°F | | | | 85°F | | | | 95°F | | | | 105°F | | | | 115°F | | | |
| | | 59 | 63 | 67 | 71 | 59 | 63 | 67 | 71 | 59 | 63 | 67 | 71 | 59 | 63 | 67 | 71 | 59 | 63 | 67 | 71 | 59 | 63 | 67 | 71 |
| 70 | kBh | 24.1 | 24.5 | 25.2 | - | 23.9 | 24.3 | 25.0 | - | 23.3 | 23.6 | 24.3 | - | 22.2 | 22.5 | 23.3 | - | 20.9 | 21.2 | 21.9 | - | 19.7 | 20.0 | 20.7 | - |
| | S/T | 0.62 | 0.55 | 0.41 | - | 0.63 | 0.55 | 0.42 | - | 0.65 | 0.58 | 0.44 | - | 1.00 | 0.60 | 0.46 | - | 1.00 | 0.62 | 0.48 | - | 1.00 | 0.67 | 0.54 | - |
| | ΔT | 20 | 19 | 15 | - | 20 | 19 | 15 | - | 21 | 19 | 15 | - | 20 | 18 | 15 | - | 20 | 18 | 15 | - | 21 | 19 | 16 | - |
| | Lo PR | 125 | 127 | 130 | - | 133 | 134 | 138 | - | 139 | 141 | 144 | - | 145 | 147 | 150 | - | 151 | 152 | 155 | - | 158 | 159 | 162 | - |
| | Hi PR | 229 | 230 | 232 | - | 265 | 266 | 268 | - | 303 | 304 | 305 | - | 343 | 344 | 346 | - | 387 | 388 | 390 | - | 434 | 435 | 437 | - |
| | Amps | 4.6 | 4.6 | 4.6 | - | 5.2 | 5.2 | 5.2 | - | 5.9 | 5.9 | 5.9 | - | 6.7 | 6.7 | 6.7 | - | 7.5 | 7.5 | 7.5 | - | 8.5 | 8.5 | 8.5 | - |
| | KW | 1.34 | 1.33 | 1.33 | - | 1.48 | 1.48 | 1.48 | - | 1.64 | 1.64 | 1.64 | - | 1.82 | 1.82 | 1.81 | - | 2.01 | 2.01 | 2.01 | - | 2.24 | 2.24 | 2.24 | - |
| 760 | kBh | 24.4 | 24.7 | 25.4 | - | 24.2 | 24.5 | 25.2 | - | 23.5 | 23.9 | 24.6 | - | 22.4 | 22.8 | 23.5 | - | 21.1 | 21.5 | 22.2 | - | 19.9 | 20.3 | 21.0 | - |
| | S/T | 0.66 | 0.59 | 0.45 | - | 0.67 | 0.59 | 0.46 | - | 0.70 | 0.62 | 0.48 | - | 1.00 | 0.64 | 0.50 | - | 1.00 | 0.66 | 0.53 | - | 1.00 | 0.71 | 0.58 | - |
| | ΔT | 20 | 18 | 14 | - | 20 | 18 | 14 | - | 20 | 18 | 14 | - | 20 | 18 | 14 | - | 19 | 17 | 14 | w | 21 | 19 | 15 | - |
| | Lo PR | 127 | 128 | 131 | - | 134 | 136 | 139 | - | 141 | 142 | 146 | - | 146 | 148 | 151 | - | 152 | 154 | 157 | - | 159 | 160 | 164 | - |
| | Hi PR | 230 | 231 | 233 | - | 266 | 267 | 269 | - | 304 | 305 | 307 | - | 345 | 346 | 347 | - | 389 | 390 | 391 | - | 435 | 436 | 438 | - |
| | Amps | 4.6 | 4.6 | 4.6 | - | 5.3 | 5.3 | 5.2 | - | 6.0 | 6.0 | 5.9 | - | 6.7 | 6.7 | 6.7 | - | 7.6 | 7.6 | 7.5 | - | 8.6 | 8.6 | 8.5 | - |
| | KW | 1.34 | 1.34 | 1.34 | - | 1.49 | 1.48 | 1.48 | - | 1.65 | 1.65 | 1.64 | - | 1.82 | 1.82 | 1.82 | - | 2.02 | 2.02 | 2.01 | - | 2.25 | 2.24 | 2.24 | - |
| 830 | kBh | 24.6 | 25.0 | 25.7 | - | 24.4 | 24.8 | 25.5 | - | 23.8 | 24.1 | 24.9 | - | 22.7 | 23.1 | 23.8 | - | 21.4 | 21.7 | 22.5 | - | 20.2 | 20.5 | 21.2 | - |
| | S/T | 0.69 | 0.62 | 0.48 | - | 0.70 | 0.62 | 0.49 | - | 0.72 | 0.65 | 0.51 | - | 1.00 | 0.67 | 0.53 | - | 1.00 | 0.69 | 0.55 | - | 1.00 | 0.74 | 0.60 | - |
| | ΔT | 19 | 17 | 13 | - | 19 | 17 | 13 | - | 19 | 17 | 14 | - | 19 | 17 | 13 | - | 19 | 17 | 13 | - | 20 | 18 | 14 | - |
| | Lo PR | 128 | 130 | 133 | - | 136 | 137 | 140 | - | 142 | 144 | 147 | - | 148 | 149 | 153 | - | 153 | 155 | 158 | - | 160 | 162 | 165 | - |
| | Hi PR | 232 | 233 | 234 | - | 268 | 269 | 270 | - | 306 | 307 | 308 | - | 346 | 347 | 349 | - | 390 | 391 | 393 | - | 437 | 438 | 439 | - |
| | Amps | 4.6 | 4.6 | 4.6 | - | 5.3 | 5.3 | 5.3 | - | 6.0 | 6.0 | 6.0 | - | 6.7 | 6.7 | 6.7 | - | 7.6 | 7.6 | 7.6 | - | 8.6 | 8.6 | 8.6 | - |
| | KW | 1.35 | 1.34 | 1.34 | - | 1.49 | 1.49 | 1.49 | - | 1.65 | 1.65 | 1.65 | - | 1.83 | 1.83 | 1.82 | - | 2.02 | 2.02 | 2.02 | - | 2.25 | 2.25 | 2.25 | - |

| | | | | | | | | | | | | | | | | | | | | | | | | | |
|-----|-------|------|------|------|------|------|------|------|------|------|------|------|------|------|------|------|------|------|------|------|------|------|------|------|------|
| 690 | kBh | 24.1 | 24.5 | 25.2 | 26.3 | 23.9 | 24.3 | 25.0 | 26.1 | 23.3 | 23.6 | 24.4 | 25.5 | 22.2 | 22.6 | 23.3 | 24.4 | 20.9 | 21.2 | 22.0 | 23.1 | 19.7 | 20.0 | 20.8 | 21.8 |
| | S/T | 0.75 | 0.68 | 0.54 | 0.40 | 0.76 | 0.68 | 0.55 | 0.40 | 1.00 | 0.71 | 0.57 | 0.43 | 1.00 | 0.73 | 0.59 | 0.45 | 1.00 | 0.75 | 0.61 | 0.47 | 1.00 | 1.00 | 0.66 | 0.52 |
| | ΔT | 25 | 23 | 19 | 15 | 25 | 23 | 19 | 15 | 25 | 23 | 19 | 16 | 25 | 23 | 19 | 15 | 24 | 22 | 19 | 15 | 26 | 24 | 20 | 16 |
| | Lo PR | 125 | 127 | 130 | 135 | 133 | 134 | 138 | 143 | 139 | 141 | 144 | 150 | 145 | 147 | 150 | 155 | 151 | 152 | 155 | 161 | 158 | 159 | 162 | 168 |
| | Hi PR | 229 | 230 | 232 | 236 | 265 | 266 | 268 | 272 | 303 | 304 | 306 | 310 | 344 | 345 | 346 | 350 | 387 | 388 | 390 | 394 | 434 | 435 | 437 | 441 |
| | Amps | 4.6 | 4.6 | 4.6 | 4.6 | 5.2 | 5.2 | 5.2 | 5.3 | 5.9 | 5.9 | 5.9 | 6.0 | 6.7 | 6.7 | 6.7 | 6.7 | 7.5 | 7.5 | 7.5 | 7.6 | 8.5 | 8.5 | 8.5 | 8.6 |
| | KW | 1.33 | 1.33 | 1.33 | 1.34 | 1.48 | 1.48 | 1.48 | 1.49 | 1.64 | 1.64 | 1.64 | 1.65 | 1.82 | 1.81 | 1.81 | 1.82 | 2.01 | 2.01 | 2.01 | 2.02 | 2.24 | 2.24 | 2.24 | 2.25 |
| 760 | kBh | 24.4 | 24.7 | 25.4 | 26.5 | 24.2 | 24.5 | 25.2 | 26.3 | 23.5 | 23.9 | 24.6 | 25.7 | 22.5 | 22.8 | 23.5 | 24.6 | 21.1 | 21.5 | 22.2 | 23.3 | 19.9 | 20.3 | 21.0 | 22.1 |
| | S/T | 0.79 | 0.72 | 0.58 | 0.44 | 1.00 | 0.72 | 0.59 | 0.45 | 1.00 | 0.75 | 0.61 | 0.47 | 1.00 | 0.77 | 0.63 | 0.49 | 1.00 | 0.79 | 0.65 | 0.51 | 1.00 | 1.00 | 0.71 | 0.56 |
| | ΔT | 24 | 22 | 18 | 15 | 24 | 22 | 18 | 15 | 24 | 22 | 19 | 15 | 24 | 22 | 18 | 14 | 24 | 22 | 18 | 14 | 25 | 23 | 19 | 16 |
| | Lo PR | 127 | 128 | 131 | 137 | 134 | 136 | 139 | 144 | 141 | 142 | 146 | 151 | 146 | 148 | 151 | 157 | 152 | 154 | 157 | 162 | 159 | 160 | 164 | 169 |
| | Hi PR | 231 | 232 | 233 | 237 | 267 | 268 | 269 | 273 | 304 | 305 | 307 | 311 | 345 | 346 | 348 | 352 | 389 | 390 | 391 | 395 | 436 | 437 | 438 | 442 |
| | Amps | 4.6 | 4.6 | 4.6 | 4.7 | 5.3 | 5.2 | 5.2 | 5.3 | 6.0 | 5.9 | 5.9 | 6.0 | 6.7 | 6.7 | 6.7 | 6.7 | 7.6 | 7.6 | 7.5 | 7.6 | 8.6 | 8.6 | 8.5 | 8.6 |
| | KW | 1.34 | 1.34 | 1.34 | 1.35 | 1.48 | 1.48 | 1.48 | 1.49 | 1.65 | 1.65 | 1.64 | 1.65 | 1.82 | 1.82 | 1.82 | 1.83 | 2.02 | 2.01 | 2.01 | 2.02 | 2.25 | 2.24 | 2.24 | 2.25 |
| 830 | kBh | 24.7 | 25.0 | 25.7 | 26.8 | 24.4 | 24.8 | 25.5 | 26.6 | 23.8 | 24.2 | 24.9 | 26.0 | 22.7 | 23.1 | 23.8 | 24.9 | 21.4 | 21.7 | 22.5 | 23.6 | 20.2 | 20.5 | 21.3 | 22.4 |
| | S/T | 0.82 | 0.74 | 0.61 | 0.47 | 1.00 | 0.75 | 0.62 | 0.47 | 1.00 | 0.78 | 0.64 | 0.50 | 1.00 | 0.79 | 0.66 | 0.52 | 1.00 | 1.00 | 0.68 | 0.54 | 1.00 | 1.00 | 0.73 | 0.59 |
| | ΔT | 23 | 21 | 18 | 14 | 23 | 21 | 18 | 14 | 23 | 21 | 18 | 14 | 23 | 21 | 18 | 14 | 23 | 21 | 17 | 14 | 24 | 22 | 19 | 15 |
| | Lo PR | 128 | 130 | 133 | 138 | 136 | 137 | 140 | 146 | 142 | 144 | 147 | 152 | 148 | 149 | 153 | 158 | 153 | 155 | 158 | 164 | 160 | 162 | 165 | 170 |
| | Hi PR | 232 | 233 | 235 | 239 | 268 | 269 | 271 | 275 | 306 | 307 | 308 | 312 | 346 | 347 | 349 | 353 | 390 | 391 | 393 | 397 | 437 | 438 | 440 | 444 |
| | Amps | 4.6 | 4.6 | 4.6 | 4.7 | 5.3 | 5.3 | 5.3 | 5.3 | 6.0 | 6.0 | 6.0 | 6.0 | 6.7 | 6.7 | 6.7 | 6.8 | 7.6 | 7.6 | 7.6 | 7.6 | 8.6 | 8.6 | 8.6 | 8.6 |
| | KW | 1.34 | 1.34 | 1.34 | 1.35 | 1.49 | 1.49 | 1.49 | 1.50 | 1.65 | 1.65 | 1.65 | 1.66 | 1.83 | 1.82 | 1.82 | 1.83 | 2.02 | 2.02 | 2.02 | 2.03 | 2.25 | 2.25 | 2.25 | 2.26 |

IDB = Entering Indoor Dry Bulb Temperature
 High and low pressures are measured at the liquid and suction service valves.
 Shaded area is ACCA (TVA) conditions
 kW = Total system power
 Amps = outdoor unit amps (comp.+fan)

EXPANDED COOLING DATA — GSXC180241B*+CA*F3137*6A*+EEP+TXV HIGH STAGE (CONT.)

| IDB | AIRFLOW | OUTDOOR AMBIENT TEMPERATURE | | | | | | | | | | | | ENTERING INDOOR WET BULB TEMPERATURE | | | | | | | | | | | | |
|-------|---------|-----------------------------|------|------|------|------|------|------|------|------|------|------|------|--------------------------------------|------|------|------|-------|------|------|------|-------|------|------|------|------|
| | | 65°F | | | | 75°F | | | | 85°F | | | | 95°F | | | | 105°F | | | | 115°F | | | | |
| | | 59 | 63 | 67 | 71 | 59 | 63 | 67 | 71 | 59 | 63 | 67 | 71 | 59 | 63 | 67 | 71 | 59 | 63 | 67 | 71 | 59 | 63 | 67 | 71 | |
| 80 | kBh | 24.3 | 24.6 | 25.3 | 26.4 | 24.1 | 24.4 | 25.1 | 26.2 | 23.4 | 23.8 | 24.5 | 25.6 | 22.3 | 22.7 | 23.4 | 24.5 | 21.0 | 21.4 | 22.1 | 23.2 | 19.8 | 20.2 | 20.9 | 22.0 | |
| | S/T | 1.00 | 0.80 | 0.67 | 0.52 | 1.00 | 0.81 | 0.67 | 0.53 | 1.00 | 0.83 | 0.70 | 0.55 | 1.00 | 1.00 | 0.72 | 0.57 | 1.00 | 1.00 | 0.74 | 0.60 | 1.00 | 1.00 | 0.79 | 0.65 | |
| | ΔT | 29 | 27 | 23 | 20 | 29 | 27 | 23 | 20 | 29 | 27 | 24 | 20 | 29 | 27 | 23 | 20 | 29 | 27 | 23 | 19 | 30 | 28 | 24 | 21 | |
| | Lo PR | 126 | 127 | 131 | 136 | 133 | 135 | 138 | 143 | 140 | 142 | 145 | 150 | 146 | 147 | 150 | 156 | 151 | 153 | 156 | 161 | 158 | 160 | 163 | 168 | |
| | Hi PR | 230 | 231 | 232 | 236 | 266 | 267 | 268 | 272 | 303 | 304 | 306 | 310 | 344 | 345 | 347 | 351 | 388 | 389 | 390 | 394 | 435 | 436 | 437 | 441 | |
| | Amps | 4.6 | 4.6 | 4.6 | 4.6 | 5.2 | 5.2 | 5.2 | 5.3 | 5.9 | 5.9 | 5.9 | 6.0 | 6.7 | 6.7 | 6.7 | 6.7 | 7.5 | 7.5 | 7.5 | 7.6 | 8.5 | 8.5 | 8.5 | 8.6 | |
| | KW | 1.34 | 1.33 | 1.33 | 1.34 | 1.48 | 1.48 | 1.48 | 1.49 | 1.64 | 1.64 | 1.64 | 1.65 | 1.82 | 1.82 | 1.81 | 1.82 | 2.01 | 2.01 | 2.01 | 2.02 | 2.24 | 2.24 | 2.24 | 2.25 | |
| | kBh | 24.5 | 24.8 | 25.6 | 26.7 | 24.3 | 24.6 | 25.3 | 26.4 | 23.7 | 24.0 | 24.7 | 25.8 | 22.6 | 22.9 | 23.6 | 24.7 | 21.3 | 21.6 | 22.3 | 23.4 | 20.1 | 20.4 | 21.1 | 22.2 | |
| | S/T | 1.00 | 0.84 | 0.71 | 0.56 | 1.00 | 0.85 | 0.71 | 0.57 | 1.00 | 0.87 | 0.74 | 0.60 | 1.00 | 1.00 | 0.76 | 0.61 | 1.00 | 1.00 | 0.78 | 0.64 | 1.00 | 1.00 | 0.83 | 0.69 | |
| | ΔT | 28 | 26 | 23 | 19 | 28 | 26 | 23 | 19 | 28 | 26 | 23 | 19 | 28 | 26 | 23 | 19 | 28 | 26 | 22 | 19 | 29 | 27 | 23 | 20 | |
| Lo PR | 127 | 129 | 132 | 137 | 135 | 136 | 139 | 145 | 141 | 143 | 146 | 151 | 147 | 149 | 152 | 157 | 153 | 154 | 157 | 163 | 159 | 161 | 164 | 169 | | |
| Hi PR | 231 | 232 | 234 | 238 | 267 | 268 | 270 | 274 | 305 | 306 | 307 | 311 | 345 | 346 | 348 | 352 | 389 | 390 | 392 | 396 | 436 | 437 | 439 | 443 | | |
| Amps | 4.6 | 4.6 | 4.6 | 4.7 | 5.3 | 5.2 | 5.2 | 5.3 | 6.0 | 6.0 | 6.0 | 6.0 | 6.7 | 6.7 | 6.7 | 6.7 | 7.6 | 7.6 | 7.5 | 7.6 | 8.6 | 8.6 | 8.5 | 8.6 | | |
| KW | 1.34 | 1.34 | 1.34 | 1.35 | 1.49 | 1.48 | 1.48 | 1.49 | 1.65 | 1.65 | 1.64 | 1.65 | 1.82 | 1.82 | 1.82 | 1.83 | 2.02 | 2.02 | 2.02 | 2.02 | 2.25 | 2.24 | 2.24 | 2.25 | | |
| 830 | kBh | 24.8 | 25.1 | 25.8 | 26.9 | 24.6 | 24.9 | 25.6 | 26.7 | 23.9 | 24.3 | 25.0 | 26.1 | 22.9 | 23.2 | 23.9 | 25.0 | 21.5 | 21.9 | 22.6 | 23.7 | 20.3 | 20.7 | 21.4 | 22.5 | |
| | S/T | 1.00 | 0.87 | 0.73 | 0.59 | 1.00 | 0.88 | 0.74 | 0.60 | 1.00 | 0.90 | 0.77 | 0.62 | 1.00 | 1.00 | 0.78 | 0.64 | 1.00 | 1.00 | 0.81 | 0.66 | 1.00 | 1.00 | 0.86 | 0.72 | |
| | ΔT | 27 | 25 | 22 | 18 | 27 | 25 | 22 | 18 | 28 | 26 | 22 | 18 | 27 | 25 | 22 | 18 | 27 | 25 | 22 | 18 | 28 | 26 | 23 | 19 | |
| | Lo PR | 129 | 130 | 133 | 139 | 136 | 138 | 141 | 146 | 143 | 144 | 148 | 153 | 149 | 150 | 153 | 159 | 154 | 156 | 159 | 164 | 161 | 162 | 166 | 171 | |
| | Hi PR | 232 | 233 | 235 | 239 | 268 | 269 | 271 | 275 | 306 | 307 | 309 | 313 | 347 | 348 | 349 | 353 | 391 | 392 | 393 | 397 | 437 | 438 | 440 | 444 | |
| | Amps | 4.6 | 4.6 | 4.6 | 4.7 | 5.3 | 5.3 | 5.3 | 5.3 | 6.0 | 6.0 | 6.0 | 6.0 | 6.7 | 6.7 | 6.7 | 6.8 | 7.6 | 7.6 | 7.6 | 7.6 | 8.6 | 8.6 | 8.6 | 8.6 | |
| | KW | 1.35 | 1.34 | 1.34 | 1.35 | 1.49 | 1.49 | 1.49 | 1.50 | 1.65 | 1.65 | 1.65 | 1.66 | 1.83 | 1.83 | 1.83 | 1.83 | 2.02 | 2.02 | 2.02 | 2.03 | 2.25 | 2.25 | 2.25 | 2.26 | |
| | 85 | kBh | 24.7 | 25.0 | 25.7 | 26.8 | 24.5 | 24.8 | 25.5 | 26.6 | 23.8 | 24.2 | 24.9 | 26.0 | 22.7 | 23.1 | 23.8 | 24.9 | 21.4 | 21.8 | 22.5 | 23.6 | 20.2 | 20.6 | 21.3 | 22.4 |
| | | S/T | 1.00 | 0.90 | 0.77 | 0.62 | 1.00 | 0.80 | 0.67 | 0.63 | 1.00 | 0.80 | 0.66 | 0.66 | 1.00 | 1.00 | 0.82 | 0.67 | 1.00 | 1.00 | 0.84 | 0.70 | 1.00 | 1.00 | 0.75 | |
| | | ΔT | 33 | 31 | 27 | 24 | 33 | 31 | 27 | 24 | 33 | 31 | 27 | 24 | 33 | 31 | 27 | 23 | 32 | 30 | 27 | 23 | 34 | 32 | 28 | 24 |
| Lo PR | | 128 | 129 | 132 | 138 | 135 | 137 | 140 | 145 | 142 | 143 | 147 | 152 | 148 | 149 | 152 | 158 | 153 | 155 | 158 | 163 | 160 | 162 | 165 | 170 | |
| Hi PR | | 231 | 232 | 233 | 237 | 267 | 268 | 269 | 273 | 304 | 305 | 307 | 311 | 345 | 346 | 348 | 352 | 389 | 390 | 392 | 396 | 436 | 437 | 438 | 442 | |
| Amps | | 4.6 | 4.6 | 4.6 | 4.6 | 5.2 | 5.2 | 5.2 | 5.3 | 5.9 | 5.9 | 5.9 | 6.0 | 6.7 | 6.7 | 6.7 | 6.7 | 7.6 | 7.6 | 7.5 | 7.6 | 8.5 | 8.5 | 8.5 | 8.6 | |
| KW | | 1.34 | 1.34 | 1.33 | 1.35 | 1.48 | 1.48 | 1.48 | 1.49 | 1.64 | 1.64 | 1.64 | 1.65 | 1.82 | 1.82 | 1.82 | 1.83 | 2.01 | 2.01 | 2.01 | 2.02 | 2.24 | 2.24 | 2.24 | 2.25 | |
| kBh | | 24.9 | 25.3 | 26.0 | 27.1 | 24.7 | 25.0 | 25.8 | 26.9 | 24.1 | 24.4 | 25.1 | 26.2 | 23.0 | 23.3 | 24.0 | 25.1 | 21.7 | 22.0 | 22.7 | 23.8 | 20.5 | 20.8 | 21.5 | 22.6 | |
| S/T | | 1.00 | 0.94 | 0.81 | 0.67 | 1.00 | 0.80 | 0.67 | 0.63 | 1.00 | 0.80 | 0.66 | 0.70 | 1.00 | 1.00 | 0.86 | 0.72 | 1.00 | 1.00 | 0.88 | 0.74 | 1.00 | 1.00 | 0.79 | | |
| ΔT | | 32 | 30 | 26 | 23 | 32 | 30 | 26 | 23 | 32 | 30 | 27 | 23 | 32 | 30 | 26 | 23 | 32 | 30 | 26 | 22 | 33 | 31 | 27 | 24 | |
| Lo PR | 129 | 131 | 134 | 139 | 137 | 138 | 141 | 147 | 143 | 145 | 148 | 153 | 149 | 150 | 154 | 159 | 154 | 156 | 159 | 164 | 161 | 163 | 166 | 171 | | |
| Hi PR | 232 | 233 | 235 | 239 | 268 | 269 | 271 | 275 | 306 | 307 | 308 | 312 | 347 | 348 | 349 | 353 | 390 | 391 | 393 | 397 | 437 | 438 | 440 | 444 | | |
| Amps | 4.6 | 4.6 | 4.6 | 4.7 | 5.3 | 5.3 | 5.3 | 5.3 | 6.0 | 6.0 | 6.0 | 6.0 | 6.7 | 6.7 | 6.7 | 6.8 | 7.6 | 7.6 | 7.6 | 7.6 | 8.6 | 8.6 | 8.6 | 8.6 | | |
| KW | 1.34 | 1.34 | 1.34 | 1.35 | 1.49 | 1.49 | 1.49 | 1.50 | 1.65 | 1.65 | 1.65 | 1.66 | 1.82 | 1.82 | 1.82 | 1.83 | 2.02 | 2.02 | 2.02 | 2.03 | 2.25 | 2.25 | 2.24 | 2.26 | | |
| 830 | kBh | 25.2 | 25.5 | 26.2 | 27.3 | 25.0 | 25.3 | 26.0 | 27.1 | 24.3 | 24.7 | 25.4 | 26.5 | 23.3 | 23.6 | 24.3 | 25.4 | 21.9 | 22.3 | 23.0 | 24.1 | 20.7 | 21.1 | 21.8 | 22.9 | |
| | S/T | 1.00 | 0.97 | 0.83 | 0.69 | 1.00 | 0.80 | 0.67 | 0.63 | 1.00 | 0.80 | 0.66 | 0.72 | 1.00 | 1.00 | 0.89 | 0.74 | 1.00 | 1.00 | 0.91 | 0.76 | 1.00 | 1.00 | 0.82 | | |
| | ΔT | 31 | 29 | 26 | 22 | 31 | 29 | 26 | 22 | 31 | 29 | 26 | 22 | 31 | 29 | 26 | 22 | 31 | 29 | 25 | 22 | 32 | 30 | 27 | 23 | |
| | Lo PR | 131 | 132 | 135 | 141 | 138 | 140 | 143 | 148 | 145 | 146 | 149 | 155 | 150 | 152 | 155 | 160 | 156 | 157 | 161 | 166 | 163 | 164 | 168 | 173 | |
| | Hi PR | 233 | 234 | 236 | 240 | 269 | 270 | 272 | 276 | 307 | 308 | 310 | 314 | 348 | 349 | 351 | 354 | 392 | 393 | 394 | 398 | 439 | 440 | 441 | 445 | |
| | Amps | 4.7 | 4.7 | 4.6 | 4.7 | 5.3 | 5.3 | 5.3 | 5.3 | 6.0 | 6.0 | 6.0 | 6.0 | 6.7 | 6.7 | 6.7 | 6.8 | 7.6 | 7.6 | 7.6 | 7.6 | 8.6 | 8.6 | 8.6 | 8.6 | |
| | KW | 1.35 | 1.35 | 1.34 | 1.36 | 1.49 | 1.49 | 1.49 | 1.50 | 1.65 | 1.65 | 1.65 | 1.66 | 1.83 | 1.83 | 1.83 | 1.84 | 2.02 | 2.02 | 2.02 | 2.03 | 2.25 | 2.25 | 2.25 | 2.26 | |

IDB = Entering Indoor Dry Bulb Temperature
 High and low pressures are measured at the liquid and suction service valves.
 Shaded area is AHRI (TVA) conditions
 kW = Total system power
 Amps = outdoor unit amps (comp.+fan)

| IDB | AIRFLOW | OUTDOOR AMBIENT TEMPERATURE | | | | | | | | | | | | ENTERING INDOOR WET BULB TEMPERATURE | | | | | | | | | | | |
|------|---------|-----------------------------|------|------|------|------|------|------|------|------|------|------|------|--------------------------------------|------|------|------|-------|------|------|------|-------|------|------|------|
| | | 65°F | | | | 75°F | | | | 85°F | | | | 95°F | | | | 105°F | | | | 115°F | | | |
| | | 59 | 63 | 67 | 71 | 59 | 63 | 67 | 71 | 59 | 63 | 67 | 71 | 59 | 63 | 67 | 71 | 59 | 63 | 67 | 71 | 59 | 63 | 67 | 71 |
| 70 | kBh | 25.6 | 25.9 | 26.7 | - | 25.3 | 25.7 | 26.4 | - | 24.7 | 25.0 | 25.8 | - | 23.5 | 23.9 | 24.6 | - | 22.1 | 22.5 | 23.2 | - | 20.8 | 21.2 | 22.0 | - |
| | S/T | 0.63 | 0.55 | 0.42 | - | 0.63 | 0.56 | 0.42 | - | 0.66 | 0.58 | 0.45 | - | 1.00 | 0.60 | 0.47 | - | 1.00 | 0.63 | 0.49 | - | 1.00 | 0.68 | 0.54 | - |
| | ΔT | 20 | 18 | 15 | - | 20 | 18 | 15 | - | 21 | 19 | 15 | - | 20 | 18 | 15 | - | 20 | 18 | 14 | - | 21 | 19 | 16 | - |
| | Lo PR | 127 | 128 | 131 | - | 134 | 136 | 139 | - | 141 | 143 | 146 | - | 147 | 148 | 151 | - | 152 | 154 | 157 | - | 159 | 161 | 164 | - |
| | Hi PR | 232 | 233 | 235 | - | 269 | 270 | 272 | - | 307 | 308 | 310 | - | 349 | 350 | 351 | - | 393 | 394 | 396 | - | 441 | 442 | 443 | - |
| | Amps | 4.2 | 4.2 | 4.2 | - | 4.8 | 4.8 | 4.8 | - | 5.5 | 5.5 | 5.5 | - | 6.3 | 6.3 | 6.2 | - | 7.1 | 7.1 | 7.1 | - | 8.1 | 8.1 | 8.0 | - |
| 950 | KW | 1.21 | 1.21 | 1.21 | - | 1.36 | 1.35 | 1.35 | - | 1.51 | 1.51 | 1.51 | - | 1.68 | 1.68 | 1.68 | - | 1.87 | 1.87 | 1.87 | - | 2.10 | 2.10 | 2.09 | - |
| | kBh | 25.8 | 26.2 | 26.9 | - | 25.6 | 25.9 | 26.7 | - | 24.9 | 25.3 | 26.0 | - | 23.8 | 24.1 | 24.9 | - | 22.4 | 22.7 | 23.5 | - | 21.1 | 21.4 | 22.2 | - |
| | S/T | 0.67 | 0.59 | 0.46 | - | 0.67 | 0.60 | 0.46 | - | 0.70 | 0.62 | 0.49 | - | 1.00 | 0.64 | 0.51 | - | 1.00 | 0.67 | 0.53 | - | 1.00 | 0.72 | 0.58 | - |
| | ΔT | 20 | 18 | 14 | - | 19 | 18 | 14 | - | 20 | 18 | 14 | - | 19 | 18 | 14 | - | 19 | 17 | 14 | - | 20 | 18 | 15 | - |
| | Lo PR | 128 | 130 | 133 | - | 136 | 137 | 140 | - | 142 | 144 | 147 | - | 148 | 150 | 153 | - | 154 | 155 | 158 | - | 161 | 162 | 165 | - |
| | Hi PR | 234 | 235 | 236 | - | 270 | 271 | 273 | - | 309 | 310 | 311 | - | 350 | 351 | 353 | - | 394 | 395 | 397 | - | 442 | 443 | 445 | - |
| 1150 | Amps | 4.2 | 4.2 | 4.2 | - | 4.9 | 4.9 | 4.8 | - | 5.5 | 5.5 | 5.5 | - | 6.3 | 6.3 | 6.3 | - | 7.1 | 7.1 | 7.1 | - | 8.1 | 8.1 | 8.1 | - |
| | KW | 1.22 | 1.22 | 1.22 | - | 1.36 | 1.36 | 1.36 | - | 1.52 | 1.52 | 1.52 | - | 1.69 | 1.69 | 1.68 | - | 1.88 | 1.88 | 1.88 | - | 2.10 | 2.10 | 2.10 | - |
| | kBh | 26.1 | 26.4 | 27.2 | - | 25.8 | 26.2 | 27.0 | - | 25.2 | 25.5 | 26.3 | - | 24.0 | 24.4 | 25.2 | - | 22.6 | 23.0 | 23.8 | - | 21.4 | 21.7 | 22.5 | - |
| | S/T | 0.69 | 0.62 | 0.48 | - | 0.70 | 0.62 | 0.49 | - | 1.00 | 0.65 | 0.51 | - | 1.00 | 0.67 | 0.53 | - | 1.00 | 0.69 | 0.56 | - | 1.00 | 1.00 | 0.61 | - |
| | ΔT | 19 | 17 | 13 | - | 19 | 17 | 13 | - | 19 | 17 | 14 | - | 19 | 17 | 13 | - | 18 | 17 | 13 | - | 20 | 18 | 14 | - |
| | Lo PR | 129 | 131 | 134 | - | 137 | 139 | 142 | - | 144 | 145 | 149 | - | 149 | 151 | 154 | - | 155 | 157 | 160 | - | 162 | 164 | 167 | - |
| 75 | Hi PR | 235 | 236 | 238 | - | 272 | 273 | 274 | - | 310 | 311 | 313 | - | 351 | 352 | 354 | - | 396 | 397 | 398 | - | 443 | 444 | 446 | - |
| | Amps | 4.3 | 4.3 | 4.2 | - | 4.9 | 4.9 | 4.9 | - | 5.6 | 5.6 | 5.5 | - | 6.3 | 6.3 | 6.3 | - | 7.1 | 7.1 | 7.1 | - | 8.1 | 8.1 | 8.1 | - |
| | KW | 1.22 | 1.22 | 1.22 | - | 1.36 | 1.36 | 1.36 | - | 1.52 | 1.52 | 1.52 | - | 1.69 | 1.69 | 1.69 | - | 1.88 | 1.88 | 1.88 | - | 2.11 | 2.11 | 2.10 | - |
| | kBh | 25.6 | 25.9 | 26.7 | 27.9 | 25.3 | 25.7 | 26.5 | 27.6 | 24.7 | 25.0 | 25.8 | 27.0 | 23.5 | 23.9 | 24.7 | 25.8 | 22.1 | 22.5 | 23.3 | 24.4 | 20.9 | 21.2 | 22.0 | 23.1 |
| | S/T | 0.80 | 0.72 | 0.59 | 0.44 | 1.00 | 0.69 | 0.55 | 0.41 | 1.00 | 0.71 | 0.58 | 0.43 | 1.00 | 0.73 | 0.60 | 0.45 | 1.00 | 0.76 | 0.62 | 0.48 | 1.00 | 1.00 | 0.67 | 0.53 |
| | ΔT | 24 | 22 | 18 | 15 | 24 | 23 | 19 | 15 | 25 | 23 | 19 | 16 | 24 | 23 | 19 | 15 | 24 | 22 | 19 | 15 | 25 | 23 | 20 | 16 |
| 950 | Lo PR | 127 | 128 | 131 | 137 | 134 | 136 | 139 | 144 | 141 | 143 | 146 | 151 | 147 | 148 | 152 | 157 | 152 | 154 | 157 | 162 | 159 | 161 | 164 | 169 |
| | Hi PR | 233 | 234 | 235 | 239 | 269 | 270 | 272 | 276 | 308 | 309 | 310 | 314 | 349 | 350 | 351 | 355 | 393 | 394 | 396 | 400 | 441 | 442 | 443 | 447 |
| | Amps | 4.2 | 4.2 | 4.2 | 4.3 | 4.8 | 4.8 | 4.8 | 4.9 | 5.5 | 5.5 | 5.5 | 5.5 | 6.3 | 6.3 | 6.2 | 6.3 | 7.1 | 7.1 | 7.1 | 7.1 | 8.1 | 8.1 | 8.0 | 8.1 |
| | KW | 1.21 | 1.21 | 1.21 | 1.22 | 1.35 | 1.35 | 1.35 | 1.36 | 1.51 | 1.51 | 1.51 | 1.52 | 1.68 | 1.68 | 1.68 | 1.69 | 1.87 | 1.87 | 1.87 | 1.88 | 2.10 | 2.10 | 2.09 | 2.10 |
| | kBh | 25.8 | 26.2 | 26.9 | 28.1 | 25.6 | 25.9 | 26.7 | 27.9 | 24.9 | 25.3 | 26.0 | 27.2 | 23.8 | 24.1 | 24.9 | 26.1 | 22.4 | 22.7 | 23.5 | 24.7 | 21.1 | 21.5 | 22.2 | 23.4 |
| | S/T | 0.80 | 0.72 | 0.59 | 0.44 | 1.00 | 0.73 | 0.59 | 0.45 | 1.00 | 0.75 | 0.62 | 0.47 | 1.00 | 0.77 | 0.64 | 0.49 | 1.00 | 1.00 | 0.66 | 0.52 | 1.00 | 1.00 | 0.71 | 0.57 |
| 1050 | ΔT | 24 | 22 | 18 | 15 | 24 | 22 | 18 | 14 | 24 | 22 | 18 | 15 | 24 | 22 | 18 | 14 | 23 | 21 | 18 | 14 | 25 | 23 | 19 | 15 |
| | Lo PR | 128 | 130 | 133 | 138 | 136 | 137 | 140 | 146 | 142 | 144 | 147 | 153 | 148 | 150 | 153 | 158 | 154 | 155 | 158 | 164 | 161 | 162 | 165 | 171 |
| | Hi PR | 234 | 235 | 237 | 241 | 271 | 272 | 273 | 277 | 309 | 310 | 312 | 316 | 350 | 351 | 353 | 357 | 395 | 396 | 397 | 401 | 442 | 443 | 445 | 449 |
| | Amps | 4.2 | 4.2 | 4.2 | 4.3 | 4.9 | 4.8 | 4.8 | 4.9 | 5.5 | 5.5 | 5.5 | 5.6 | 6.3 | 6.3 | 6.3 | 6.3 | 7.1 | 7.1 | 7.1 | 7.1 | 8.1 | 8.1 | 8.1 | 8.1 |
| | KW | 1.22 | 1.22 | 1.21 | 1.23 | 1.36 | 1.36 | 1.36 | 1.37 | 1.52 | 1.52 | 1.51 | 1.52 | 1.69 | 1.69 | 1.68 | 1.69 | 1.88 | 1.88 | 1.87 | 1.89 | 2.10 | 2.10 | 2.10 | 2.11 |
| | kBh | 26.1 | 26.4 | 27.2 | 28.4 | 25.9 | 26.2 | 27.0 | 28.1 | 25.2 | 25.6 | 26.3 | 27.5 | 24.1 | 24.4 | 25.2 | 26.3 | 22.7 | 23.0 | 23.8 | 24.9 | 21.4 | 21.7 | 22.5 | 23.7 |
| 1150 | S/T | 0.82 | 0.75 | 0.61 | 0.47 | 1.00 | 0.75 | 0.62 | 0.47 | 1.00 | 0.78 | 0.64 | 0.50 | 1.00 | 0.80 | 0.66 | 0.52 | 1.00 | 1.00 | 0.69 | 0.54 | 1.00 | 1.00 | 0.74 | 0.59 |
| | ΔT | 23 | 21 | 18 | 14 | 23 | 21 | 17 | 14 | 23 | 21 | 18 | 14 | 23 | 21 | 17 | 14 | 23 | 21 | 17 | 14 | 24 | 22 | 18 | 15 |
| | Lo PR | 129 | 131 | 134 | 140 | 137 | 139 | 142 | 147 | 144 | 145 | 149 | 154 | 149 | 151 | 154 | 160 | 155 | 157 | 160 | 165 | 162 | 164 | 167 | 172 |
| | Hi PR | 235 | 236 | 238 | 242 | 272 | 273 | 275 | 279 | 310 | 311 | 313 | 317 | 352 | 353 | 354 | 358 | 396 | 397 | 399 | 403 | 444 | 445 | 446 | 450 |
| | Amps | 4.3 | 4.3 | 4.2 | 4.3 | 4.9 | 4.9 | 4.9 | 4.9 | 5.6 | 5.6 | 5.5 | 5.6 | 6.3 | 6.3 | 6.3 | 6.3 | 7.1 | 7.1 | 7.1 | 7.1 | 8.1 | 8.1 | 8.1 | 8.1 |
| | KW | 1.22 | 1.22 | 1.22 | 1.23 | 1.36 | 1.36 | 1.36 | 1.37 | 1.52 | 1.52 | 1.52 | 1.53 | 1.69 | 1.69 | 1.69 | 1.70 | 1.88 | 1.88 | 1.88 | 1.89 | 2.11 | 2.10 | 2.10 | 2.11 |

IDB = Entering Indoor Dry Bulb Temperature
 High and low pressures are measured at the liquid and suction service valves.
 Shaded area is ACCA (TVA) conditions
 kW = Total system power
 Amps = outdoor unit amps (comp.+fan)

| IDB | AIRFLOW | OUTDOOR AMBIENT TEMPERATURE | | | | | | | | | | | | ENTERING INDOOR WET BULB TEMPERATURE | | | | | | | | | | | |
|-------|---------|-----------------------------|------|------|------|------|------|------|------|------|------|------|------|--------------------------------------|------|------|------|-------|------|------|------|-------|------|------|------|
| | | 65°F | | | | 75°F | | | | 85°F | | | | 95°F | | | | 105°F | | | | 115°F | | | |
| | | 59 | 63 | 67 | 71 | 59 | 63 | 67 | 71 | 59 | 63 | 67 | 71 | 59 | 63 | 67 | 71 | 59 | 63 | 67 | 71 | 59 | 63 | 67 | 71 |
| 80 | kBh | 25.7 | 26.1 | 26.8 | 28.0 | 25.5 | 25.8 | 26.6 | 27.8 | 24.8 | 25.2 | 25.9 | 27.1 | 23.7 | 24.0 | 24.8 | 25.9 | 22.3 | 22.6 | 23.4 | 24.5 | 21.0 | 21.3 | 22.1 | 23.3 |
| | S/T | 1.00 | 0.81 | 0.67 | 0.53 | 1.00 | 0.81 | 0.68 | 0.53 | 1.00 | 0.84 | 0.70 | 0.56 | 1.00 | 1.00 | 0.72 | 0.58 | 1.00 | 1.00 | 0.74 | 0.60 | 1.00 | 1.00 | 0.80 | 0.65 |
| | ΔT | 29 | 27 | 23 | 20 | 29 | 27 | 23 | 19 | 29 | 27 | 23 | 20 | 29 | 27 | 23 | 19 | 28 | 26 | 23 | 19 | 30 | 28 | 24 | 20 |
| | Lo PR | 127 | 129 | 132 | 137 | 135 | 136 | 140 | 145 | 142 | 143 | 146 | 152 | 147 | 149 | 152 | 157 | 153 | 154 | 158 | 163 | 160 | 161 | 165 | 170 |
| | Hi PR | 233 | 234 | 236 | 240 | 270 | 271 | 272 | 276 | 308 | 309 | 311 | 315 | 349 | 350 | 352 | 356 | 394 | 395 | 396 | 400 | 441 | 442 | 444 | 448 |
| | Amps | 4.2 | 4.2 | 4.2 | 4.3 | 4.8 | 4.8 | 4.8 | 4.9 | 5.5 | 5.5 | 5.5 | 5.6 | 6.3 | 6.3 | 6.2 | 6.3 | 7.1 | 7.1 | 7.1 | 7.1 | 8.1 | 8.1 | 8.1 | 8.1 |
| | KW | 1.21 | 1.21 | 1.21 | 1.22 | 1.35 | 1.35 | 1.35 | 1.36 | 1.51 | 1.51 | 1.51 | 1.52 | 1.68 | 1.68 | 1.68 | 1.69 | 1.87 | 1.87 | 1.87 | 1.88 | 2.10 | 2.10 | 2.09 | 2.10 |
| | kBh | 25.9 | 26.3 | 27.1 | 28.2 | 25.7 | 26.1 | 26.8 | 28.0 | 25.1 | 25.4 | 26.2 | 27.3 | 23.9 | 24.3 | 25.0 | 26.2 | 22.5 | 22.9 | 23.6 | 24.8 | 21.2 | 21.6 | 22.4 | 23.5 |
| | S/T | 1.00 | 0.85 | 0.71 | 0.57 | 1.00 | 0.85 | 0.72 | 0.57 | 1.00 | 0.88 | 0.74 | 0.60 | 1.00 | 1.00 | 0.76 | 0.62 | 1.00 | 1.00 | 0.78 | 0.64 | 1.00 | 1.00 | 0.84 | 0.69 |
| | ΔT | 28 | 26 | 22 | 19 | 28 | 26 | 22 | 19 | 28 | 26 | 23 | 19 | 28 | 26 | 22 | 19 | 28 | 26 | 22 | 18 | 29 | 27 | 23 | 20 |
| | Lo PR | 129 | 130 | 133 | 139 | 136 | 138 | 141 | 146 | 143 | 145 | 148 | 153 | 149 | 150 | 153 | 159 | 154 | 156 | 159 | 164 | 161 | 163 | 166 | 171 |
| | Hi PR | 234 | 235 | 237 | 241 | 271 | 272 | 274 | 278 | 309 | 310 | 312 | 316 | 351 | 352 | 353 | 357 | 395 | 396 | 398 | 402 | 443 | 444 | 445 | 449 |
| Amps | 4.2 | 4.2 | 4.2 | 4.3 | 4.9 | 4.9 | 4.8 | 4.9 | 5.5 | 5.5 | 5.5 | 5.6 | 6.3 | 6.3 | 6.3 | 6.3 | 7.1 | 7.1 | 7.1 | 7.1 | 8.1 | 8.1 | 8.1 | 8.1 | |
| KW | 1.22 | 1.22 | 1.22 | 1.23 | 1.36 | 1.36 | 1.36 | 1.37 | 1.52 | 1.52 | 1.52 | 1.53 | 1.69 | 1.69 | 1.68 | 1.70 | 1.88 | 1.88 | 1.88 | 1.89 | 2.10 | 2.10 | 2.10 | 2.11 | |
| kBh | 26.2 | 26.6 | 27.3 | 28.5 | 26.0 | 26.4 | 27.1 | 28.3 | 25.3 | 25.7 | 26.4 | 27.6 | 24.2 | 24.5 | 25.3 | 26.5 | 22.8 | 23.1 | 23.9 | 25.1 | 21.5 | 21.9 | 22.6 | 23.8 | |
| S/T | 1.00 | 0.87 | 0.74 | 0.59 | 1.00 | 0.88 | 0.74 | 0.60 | 1.00 | 1.00 | 0.77 | 0.63 | 1.00 | 1.00 | 0.79 | 0.65 | 1.00 | 1.00 | 0.81 | 0.67 | 1.00 | 1.00 | 1.00 | 0.72 | |
| ΔT | 27 | 25 | 22 | 18 | 27 | 25 | 22 | 18 | 27 | 26 | 22 | 18 | 27 | 25 | 22 | 18 | 27 | 25 | 21 | 18 | 28 | 26 | 23 | 19 | |
| Lo PR | 130 | 132 | 135 | 140 | 138 | 139 | 142 | 148 | 144 | 146 | 149 | 155 | 150 | 152 | 155 | 160 | 156 | 157 | 160 | 166 | 163 | 164 | 167 | 173 | |
| Hi PR | 236 | 237 | 238 | 242 | 272 | 273 | 275 | 279 | 311 | 312 | 313 | 317 | 352 | 353 | 355 | 359 | 396 | 397 | 399 | 403 | 444 | 445 | 447 | 451 | |
| Amps | 4.3 | 4.3 | 4.2 | 4.3 | 4.9 | 4.9 | 4.9 | 4.9 | 5.6 | 5.6 | 5.5 | 5.6 | 6.3 | 6.3 | 6.3 | 6.3 | 7.1 | 7.1 | 7.1 | 7.1 | 8.1 | 8.1 | 8.1 | 8.1 | |
| KW | 1.22 | 1.22 | 1.22 | 1.23 | 1.36 | 1.36 | 1.36 | 1.37 | 1.52 | 1.52 | 1.52 | 1.53 | 1.69 | 1.69 | 1.69 | 1.70 | 1.88 | 1.88 | 1.88 | 1.89 | 2.11 | 2.11 | 2.10 | 2.11 | |
| 85 | kBh | 26.1 | 26.5 | 27.2 | 28.4 | 25.9 | 26.3 | 27.0 | 28.2 | 25.2 | 25.6 | 26.4 | 27.5 | 24.1 | 24.5 | 25.2 | 26.4 | 22.7 | 23.1 | 23.8 | 25.0 | 21.4 | 21.8 | 22.5 | 23.7 |
| | S/T | 1.00 | 0.91 | 0.77 | 0.63 | 1.00 | 1.00 | 0.78 | 0.64 | 1.00 | 1.00 | 0.80 | 0.66 | 1.00 | 1.00 | 0.82 | 0.68 | 1.00 | 1.00 | 1.00 | 0.70 | 1.00 | 1.00 | 1.00 | 0.75 |
| | ΔT | 32 | 31 | 27 | 23 | 32 | 31 | 27 | 23 | 33 | 31 | 27 | 24 | 32 | 30 | 27 | 23 | 32 | 30 | 27 | 23 | 33 | 31 | 28 | 24 |
| | Lo PR | 129 | 131 | 134 | 139 | 137 | 138 | 142 | 147 | 144 | 145 | 148 | 154 | 149 | 151 | 154 | 159 | 155 | 156 | 160 | 165 | 162 | 163 | 167 | 172 |
| | Hi PR | 234 | 235 | 237 | 241 | 271 | 272 | 273 | 277 | 309 | 310 | 312 | 316 | 350 | 351 | 353 | 357 | 395 | 396 | 397 | 401 | 442 | 443 | 445 | 449 |
| | Amps | 4.2 | 4.2 | 4.2 | 4.3 | 4.8 | 4.8 | 4.8 | 4.9 | 5.5 | 5.5 | 5.5 | 5.6 | 6.3 | 6.3 | 6.3 | 6.3 | 7.1 | 7.1 | 7.1 | 7.1 | 8.1 | 8.1 | 8.1 | 8.1 |
| | KW | 1.22 | 1.22 | 1.21 | 1.22 | 1.36 | 1.36 | 1.35 | 1.36 | 1.52 | 1.52 | 1.51 | 1.52 | 1.69 | 1.68 | 1.68 | 1.69 | 1.88 | 1.88 | 1.87 | 1.88 | 2.10 | 2.10 | 2.10 | 2.11 |
| | kBh | 26.4 | 26.7 | 27.5 | 28.7 | 26.1 | 26.5 | 27.3 | 28.4 | 25.5 | 25.8 | 26.6 | 27.8 | 24.3 | 24.7 | 25.5 | 26.6 | 22.9 | 23.3 | 24.1 | 25.2 | 21.7 | 22.0 | 22.8 | 23.9 |
| | S/T | 1.00 | 0.95 | 0.81 | 0.67 | 1.00 | 1.00 | 0.82 | 0.68 | 1.00 | 1.00 | 0.84 | 0.70 | 1.00 | 1.00 | 0.86 | 0.72 | 1.00 | 1.00 | 1.00 | 0.74 | 1.00 | 1.00 | 1.00 | 0.79 |
| | ΔT | 32 | 30 | 26 | 23 | 32 | 30 | 26 | 22 | 32 | 30 | 26 | 23 | 32 | 30 | 26 | 22 | 31 | 29 | 26 | 22 | 33 | 31 | 27 | 23 |
| | Lo PR | 130 | 132 | 135 | 141 | 138 | 140 | 143 | 148 | 145 | 146 | 150 | 155 | 151 | 152 | 155 | 161 | 156 | 158 | 161 | 166 | 163 | 165 | 168 | 173 |
| | Hi PR | 236 | 237 | 238 | 242 | 272 | 273 | 275 | 279 | 310 | 311 | 313 | 317 | 352 | 353 | 354 | 358 | 396 | 397 | 399 | 403 | 444 | 445 | 446 | 450 |
| Amps | 4.3 | 4.3 | 4.2 | 4.3 | 4.9 | 4.9 | 4.9 | 4.9 | 5.6 | 5.6 | 5.5 | 5.6 | 6.3 | 6.3 | 6.3 | 6.3 | 7.1 | 7.1 | 7.1 | 7.1 | 8.1 | 8.1 | 8.1 | 8.1 | |
| KW | 1.22 | 1.22 | 1.22 | 1.23 | 1.36 | 1.36 | 1.36 | 1.37 | 1.52 | 1.52 | 1.52 | 1.53 | 1.69 | 1.69 | 1.69 | 1.70 | 1.88 | 1.88 | 1.88 | 1.89 | 2.10 | 2.10 | 2.10 | 2.11 | |
| kBh | 26.6 | 27.0 | 27.8 | 28.9 | 26.4 | 26.8 | 27.5 | 28.7 | 25.8 | 26.1 | 26.9 | 28.0 | 24.6 | 25.0 | 25.7 | 26.9 | 23.2 | 23.6 | 24.3 | 25.5 | 21.9 | 22.3 | 23.1 | 24.2 | |
| S/T | 1.00 | 0.98 | 0.84 | 0.70 | 1.00 | 1.00 | 0.85 | 0.70 | 1.00 | 1.00 | 0.87 | 0.73 | 1.00 | 1.00 | 0.89 | 0.75 | 1.00 | 1.00 | 1.00 | 0.77 | 1.00 | 1.00 | 1.00 | 0.82 | |
| ΔT | 31 | 29 | 26 | 22 | 31 | 29 | 25 | 22 | 31 | 29 | 26 | 22 | 31 | 29 | 25 | 22 | 31 | 29 | 25 | 21 | 32 | 30 | 26 | 23 | |
| Lo PR | 132 | 133 | 137 | 142 | 140 | 141 | 144 | 150 | 146 | 148 | 151 | 156 | 152 | 154 | 157 | 162 | 158 | 159 | 162 | 168 | 165 | 166 | 169 | 175 | |
| Hi PR | 237 | 238 | 240 | 244 | 273 | 274 | 276 | 280 | 312 | 313 | 314 | 318 | 353 | 354 | 356 | 360 | 398 | 399 | 400 | 404 | 445 | 446 | 448 | 452 | |
| Amps | 4.3 | 4.3 | 4.3 | 4.3 | 4.9 | 4.9 | 4.9 | 4.9 | 5.6 | 5.6 | 5.6 | 5.6 | 6.3 | 6.3 | 6.3 | 6.3 | 7.1 | 7.1 | 7.1 | 7.1 | 8.1 | 8.1 | 8.1 | 8.1 | |
| KW | 1.23 | 1.22 | 1.22 | 1.23 | 1.37 | 1.37 | 1.36 | 1.37 | 1.52 | 1.52 | 1.52 | 1.53 | 1.70 | 1.69 | 1.69 | 1.70 | 1.89 | 1.88 | 1.88 | 1.89 | 2.11 | 2.11 | 2.11 | 2.12 | |

IDB = Entering Indoor Dry Bulb Temperature
 High and low pressures are measured at the liquid and suction service valves.
 Shaded area is AHRI (TVA) conditions
 kW = Total system power
 Amps = outdoor unit amps (comp.+fan)

| IDB | AIRFLOW | OUTDOOR AMBIENT TEMPERATURE | | | | | | | | | | | | ENTERING INDOOR WET BULB TEMPERATURE | | | | | | | | | | | |
|-------|---------|-----------------------------|------|------|------|------|------|------|------|------|------|------|------|--------------------------------------|------|------|------|-------|------|------|------|-------|------|------|----|
| | | 65°F | | | | 75°F | | | | 85°F | | | | 95°F | | | | 105°F | | | | 115°F | | | |
| | | 59 | 63 | 67 | 71 | 59 | 63 | 67 | 71 | 59 | 63 | 67 | 71 | 59 | 63 | 67 | 71 | 59 | 63 | 67 | 71 | 59 | 63 | 67 | 71 |
| 70 | kBh | 35.5 | 36.0 | 37.1 | - | 35.2 | 35.7 | 36.8 | - | 34.3 | 34.8 | 35.8 | - | 32.7 | 33.2 | 34.2 | - | 30.7 | 31.2 | 32.3 | - | 29.0 | 29.5 | 30.5 | - |
| | S/T | 0.61 | 0.53 | 0.40 | - | 0.61 | 0.54 | 0.41 | - | 0.64 | 0.56 | 0.43 | - | 0.66 | 0.58 | 0.45 | - | 1.00 | 0.61 | 0.47 | - | 1.00 | 0.66 | 0.52 | - |
| | ΔT | 21 | 19 | 15 | - | 21 | 19 | 15 | - | 21 | 19 | 16 | - | 21 | 19 | 15 | - | 21 | 19 | 15 | - | 22 | 20 | 16 | - |
| | Lo PR | 123 | 125 | 128 | - | 131 | 132 | 135 | - | 137 | 139 | 142 | - | 143 | 144 | 147 | - | 148 | 150 | 153 | - | 155 | 156 | 159 | - |
| | Hi PR | 243 | 244 | 246 | - | 281 | 282 | 284 | - | 321 | 322 | 324 | - | 365 | 366 | 367 | - | 411 | 412 | 414 | - | 461 | 462 | 463 | - |
| | Amps | 6.7 | 6.7 | 6.7 | - | 7.7 | 7.7 | 7.7 | - | 8.8 | 8.8 | 8.8 | - | 10.0 | 9.9 | 9.9 | - | 11.3 | 11.3 | 11.2 | - | 12.8 | 12.8 | 12.8 | - |
| | KW | 1.93 | 1.93 | 1.92 | - | 2.15 | 2.15 | 2.15 | - | 2.40 | 2.40 | 2.40 | - | 2.68 | 2.67 | 2.67 | - | 2.98 | 2.98 | 2.97 | - | 3.33 | 3.33 | 3.33 | - |
| | kBh | 35.9 | 36.4 | 37.4 | - | 35.6 | 36.1 | 37.1 | - | 34.6 | 35.1 | 36.2 | - | 33.0 | 33.5 | 34.6 | - | 31.1 | 31.6 | 32.7 | - | 29.3 | 29.8 | 30.9 | - |
| | S/T | 0.65 | 0.58 | 0.44 | - | 0.66 | 0.58 | 0.45 | - | 0.68 | 0.61 | 0.47 | - | 1.00 | 0.63 | 0.49 | - | 1.00 | 0.65 | 0.52 | - | 1.00 | 0.70 | 0.57 | - |
| | ΔT | 20 | 18 | 15 | - | 20 | 18 | 14 | - | 20 | 18 | 15 | - | 20 | 18 | 14 | - | 20 | 18 | 14 | - | 21 | 19 | 15 | - |
| Lo PR | 124 | 126 | 129 | - | 132 | 133 | 137 | - | 138 | 140 | 143 | - | 144 | 146 | 149 | - | 149 | 151 | 154 | - | 156 | 158 | 161 | - | |
| Hi PR | 245 | 246 | 247 | - | 283 | 284 | 286 | - | 323 | 324 | 326 | - | 366 | 367 | 369 | - | 413 | 414 | 415 | - | 462 | 463 | 465 | - | |
| Amps | 6.7 | 6.7 | 6.7 | - | 7.7 | 7.7 | 7.7 | - | 8.8 | 8.8 | 8.8 | - | 10.0 | 10.0 | 10.0 | - | 11.3 | 11.3 | 11.3 | - | 12.9 | 12.8 | 12.8 | - | |
| KW | 1.94 | 1.94 | 1.93 | - | 2.16 | 2.16 | 2.16 | - | 2.41 | 2.41 | 2.41 | - | 2.68 | 2.68 | 2.68 | - | 2.99 | 2.99 | 2.98 | - | 3.34 | 3.34 | 3.34 | - | |
| kBh | 36.3 | 36.8 | 37.9 | - | 36.0 | 36.5 | 37.5 | - | 35.1 | 35.6 | 36.6 | - | 33.5 | 34.0 | 35.0 | - | 31.5 | 32.0 | 33.1 | - | 29.7 | 30.2 | 31.3 | - | |
| S/T | 0.68 | 0.60 | 0.47 | - | 0.68 | 0.61 | 0.48 | - | 0.71 | 0.63 | 0.50 | - | 1.00 | 0.65 | 0.52 | - | 1.00 | 0.67 | 0.54 | - | 1.00 | 0.73 | 0.59 | - | |
| ΔT | 19 | 17 | 14 | - | 19 | 17 | 14 | - | 20 | 18 | 14 | - | 19 | 17 | 14 | - | 19 | 17 | 13 | - | 20 | 18 | 15 | - | |
| Lo PR | 126 | 127 | 131 | - | 133 | 135 | 138 | - | 140 | 141 | 145 | - | 146 | 147 | 150 | - | 151 | 152 | 156 | - | 158 | 159 | 162 | - | |
| Hi PR | 246 | 247 | 249 | - | 284 | 285 | 287 | - | 324 | 325 | 327 | - | 368 | 369 | 370 | - | 414 | 415 | 417 | - | 464 | 465 | 467 | - | |
| Amps | 6.8 | 6.8 | 6.8 | - | 7.8 | 7.7 | 7.7 | - | 8.8 | 8.8 | 8.8 | - | 10.0 | 10.0 | 10.0 | - | 11.3 | 11.3 | 11.3 | - | 12.9 | 12.9 | 12.9 | - | |
| KW | 1.95 | 1.94 | 1.94 | - | 2.17 | 2.17 | 2.16 | - | 2.42 | 2.42 | 2.41 | - | 2.69 | 2.69 | 2.69 | - | 2.99 | 2.99 | 2.99 | - | 3.35 | 3.35 | 3.34 | - | |

| | | | | | | | | | | | | | | | | | | | | | | | | | |
|-------|-------|------|------|------|------|------|------|------|------|------|------|------|------|------|------|------|------|------|------|------|------|------|------|------|------|
| 75 | kBh | 35.5 | 36.0 | 37.1 | 38.7 | 35.2 | 35.7 | 36.8 | 38.4 | 34.3 | 34.8 | 35.9 | 37.5 | 32.7 | 33.2 | 34.3 | 35.9 | 30.8 | 31.3 | 32.3 | 33.9 | 29.0 | 29.5 | 30.5 | 32.2 |
| | S/T | 0.73 | 0.66 | 0.53 | 0.39 | 0.74 | 0.67 | 0.53 | 0.39 | 1.00 | 0.69 | 0.56 | 0.42 | 1.00 | 0.71 | 0.58 | 0.44 | 1.00 | 0.73 | 0.60 | 0.46 | 1.00 | 1.00 | 0.65 | 0.51 |
| | ΔT | 25 | 23 | 20 | 16 | 25 | 23 | 20 | 16 | 26 | 24 | 20 | 16 | 25 | 23 | 20 | 16 | 25 | 23 | 19 | 16 | 26 | 24 | 21 | 17 |
| | Lo PR | 123 | 125 | 128 | 133 | 131 | 132 | 135 | 140 | 137 | 139 | 142 | 147 | 143 | 144 | 147 | 153 | 148 | 150 | 153 | 158 | 155 | 156 | 160 | 165 |
| | Hi PR | 243 | 244 | 246 | 250 | 281 | 283 | 284 | 288 | 322 | 323 | 324 | 329 | 365 | 366 | 367 | 372 | 411 | 412 | 414 | 418 | 461 | 462 | 464 | 468 |
| | Amps | 6.7 | 6.7 | 6.7 | 6.8 | 7.7 | 7.7 | 7.7 | 7.7 | 8.8 | 8.8 | 8.7 | 8.8 | 9.9 | 9.9 | 9.9 | 10.0 | 11.3 | 11.3 | 11.2 | 11.3 | 12.8 | 12.8 | 12.8 | 12.9 |
| | KW | 1.93 | 1.93 | 1.92 | 1.94 | 2.15 | 2.15 | 2.15 | 2.16 | 2.40 | 2.40 | 2.40 | 2.41 | 2.67 | 2.67 | 2.67 | 2.69 | 2.98 | 2.98 | 2.97 | 2.99 | 3.33 | 3.33 | 3.33 | 3.34 |
| | kBh | 35.9 | 36.4 | 37.5 | 39.1 | 35.6 | 36.1 | 37.1 | 38.8 | 34.7 | 35.2 | 36.2 | 37.8 | 33.1 | 33.6 | 34.6 | 36.2 | 31.1 | 31.6 | 32.7 | 34.3 | 29.3 | 29.8 | 30.9 | 32.5 |
| | S/T | 0.78 | 0.70 | 0.57 | 0.43 | 0.78 | 0.71 | 0.58 | 0.44 | 1.00 | 0.73 | 0.60 | 0.46 | 1.00 | 0.75 | 0.62 | 0.48 | 1.00 | 0.77 | 0.64 | 0.50 | 1.00 | 1.00 | 0.69 | 0.55 |
| | ΔT | 25 | 23 | 19 | 15 | 25 | 23 | 19 | 15 | 25 | 23 | 19 | 15 | 24 | 22 | 19 | 15 | 24 | 22 | 19 | 15 | 25 | 23 | 20 | 16 |
| Lo PR | 125 | 126 | 129 | 134 | 132 | 133 | 137 | 142 | 139 | 140 | 143 | 148 | 144 | 144 | 149 | 154 | 149 | 151 | 154 | 159 | 156 | 158 | 161 | 166 | |
| Hi PR | 245 | 246 | 248 | 252 | 283 | 284 | 286 | 290 | 323 | 324 | 326 | 330 | 366 | 367 | 369 | 373 | 413 | 414 | 416 | 420 | 463 | 464 | 465 | 469 | |
| Amps | 6.7 | 6.7 | 6.7 | 6.8 | 7.7 | 7.7 | 7.7 | 7.8 | 8.8 | 8.8 | 8.8 | 8.9 | 10.0 | 10.0 | 10.0 | 10.0 | 11.3 | 11.3 | 11.3 | 11.4 | 12.8 | 12.8 | 12.8 | 12.9 | |
| KW | 1.94 | 1.93 | 1.93 | 1.95 | 2.16 | 2.16 | 2.16 | 2.17 | 2.41 | 2.41 | 2.41 | 2.42 | 2.68 | 2.68 | 2.68 | 2.69 | 2.99 | 2.98 | 2.98 | 3.00 | 3.34 | 3.34 | 3.34 | 3.35 | |
| kBh | 36.3 | 36.8 | 37.9 | 39.5 | 36.0 | 36.5 | 37.6 | 39.2 | 35.1 | 35.6 | 36.6 | 38.2 | 33.5 | 34.0 | 35.0 | 36.7 | 31.5 | 32.0 | 33.1 | 34.7 | 29.8 | 30.3 | 31.3 | 32.9 | |
| S/T | 0.80 | 0.73 | 0.60 | 0.46 | 1.00 | 0.74 | 0.60 | 0.46 | 1.00 | 0.76 | 0.63 | 0.49 | 1.00 | 0.78 | 0.65 | 0.51 | 1.00 | 0.80 | 0.67 | 0.53 | 1.00 | 1.00 | 0.72 | 0.58 | |
| ΔT | 24 | 22 | 18 | 14 | 24 | 22 | 18 | 14 | 24 | 22 | 18 | 15 | 24 | 22 | 18 | 14 | 23 | 21 | 18 | 14 | 25 | 23 | 19 | 15 | |
| Lo PR | 126 | 128 | 131 | 136 | 133 | 135 | 138 | 143 | 140 | 142 | 145 | 150 | 146 | 147 | 150 | 155 | 151 | 152 | 156 | 161 | 158 | 159 | 162 | 168 | |
| Hi PR | 246 | 247 | 249 | 253 | 285 | 286 | 287 | 292 | 325 | 326 | 327 | 332 | 368 | 369 | 371 | 375 | 414 | 415 | 417 | 421 | 464 | 465 | 467 | 471 | |
| Amps | 6.8 | 6.8 | 6.8 | 6.8 | 7.8 | 7.7 | 7.7 | 7.8 | 8.8 | 8.8 | 8.8 | 8.9 | 10.0 | 10.0 | 10.0 | 10.1 | 11.3 | 11.3 | 11.3 | 11.4 | 12.9 | 12.9 | 12.9 | 12.9 | |
| KW | 1.94 | 1.94 | 1.94 | 1.96 | 2.17 | 2.17 | 2.16 | 2.18 | 2.42 | 2.42 | 2.41 | 2.43 | 2.69 | 2.69 | 2.68 | 2.70 | 2.99 | 2.99 | 2.99 | 3.00 | 3.35 | 3.35 | 3.34 | 3.36 | |

IDB = Entering Indoor Dry Bulb Temperature
 High and low pressures are measured at the liquid and suction service valves.
 Shaded area is ACCA (TVA) conditions
 kW = Total system power
 Amps = outdoor unit amps (comp.+fan)

| IDB | AIRFLOW | OUTDOOR AMBIENT TEMPERATURE | | | | | | | | | | | | ENTERING INDOOR WET BULB TEMPERATURE | | | | | | | | | | | |
|-------|---------|-----------------------------|------|------|------|------|------|------|------|------|------|------|------|--------------------------------------|------|------|------|-------|------|------|------|-------|------|------|------|
| | | 65°F | | | | 75°F | | | | 85°F | | | | 95°F | | | | 105°F | | | | 115°F | | | |
| | | 59 | 63 | 67 | 71 | 59 | 63 | 67 | 71 | 59 | 63 | 67 | 71 | 59 | 63 | 67 | 71 | 59 | 63 | 67 | 71 | 59 | 63 | 67 | 71 |
| 80 | kBh | 35.7 | 36.2 | 37.3 | 38.9 | 35.4 | 35.9 | 37.0 | 38.6 | 34.5 | 35.0 | 36.0 | 37.7 | 32.9 | 33.4 | 34.4 | 36.1 | 30.9 | 31.4 | 32.5 | 34.1 | 29.2 | 29.7 | 30.7 | 32.3 |
| | S/T | 1.00 | 0.78 | 0.65 | 0.51 | 1.00 | 0.79 | 0.66 | 0.52 | 1.00 | 0.81 | 0.68 | 0.54 | 1.00 | 0.83 | 0.70 | 0.56 | 1.00 | 1.00 | 0.72 | 0.58 | 1.00 | 1.00 | 0.77 | 0.63 |
| | ΔT | 30 | 28 | 24 | 20 | 30 | 28 | 24 | 20 | 30 | 28 | 24 | 21 | 30 | 28 | 24 | 20 | 29 | 28 | 24 | 20 | 31 | 29 | 25 | 21 |
| | Lo PR | 124 | 125 | 128 | 134 | 131 | 133 | 136 | 141 | 138 | 139 | 142 | 148 | 143 | 145 | 148 | 153 | 149 | 150 | 153 | 158 | 155 | 157 | 160 | 165 |
| | Hi PR | 244 | 245 | 246 | 251 | 282 | 283 | 285 | 289 | 322 | 323 | 325 | 329 | 365 | 366 | 368 | 372 | 412 | 413 | 414 | 419 | 461 | 462 | 464 | 468 |
| | Amps | 6.7 | 6.7 | 6.7 | 6.8 | 7.7 | 7.7 | 7.7 | 7.7 | 8.8 | 8.8 | 8.7 | 8.8 | 10.0 | 9.9 | 9.9 | 10.0 | 11.3 | 11.3 | 11.2 | 11.3 | 12.8 | 12.8 | 12.8 | 12.9 |
| | KW | 1.93 | 1.93 | 1.92 | 1.94 | 2.15 | 2.15 | 2.15 | 2.17 | 2.40 | 2.40 | 2.40 | 2.42 | 2.68 | 2.67 | 2.67 | 2.69 | 2.98 | 2.98 | 2.97 | 2.99 | 3.33 | 3.33 | 3.33 | 3.35 |
| | kBh | 36.1 | 36.6 | 37.6 | 39.3 | 35.8 | 36.3 | 37.3 | 38.9 | 34.8 | 35.3 | 36.4 | 38.0 | 33.2 | 33.7 | 34.8 | 36.4 | 31.3 | 31.8 | 32.9 | 34.5 | 29.5 | 30.0 | 31.1 | 32.7 |
| | S/T | 1.00 | 0.83 | 0.69 | 0.55 | 1.00 | 0.83 | 0.70 | 0.56 | 1.00 | 0.86 | 0.72 | 0.58 | 1.00 | 1.00 | 0.74 | 0.60 | 1.00 | 1.00 | 0.76 | 0.62 | 1.00 | 1.00 | 0.81 | 0.67 |
| | ΔT | 29 | 27 | 23 | 19 | 29 | 27 | 23 | 19 | 29 | 27 | 23 | 20 | 29 | 27 | 23 | 19 | 29 | 27 | 23 | 19 | 30 | 28 | 24 | 20 |
| Lo PR | 125 | 127 | 130 | 135 | 133 | 134 | 137 | 142 | 139 | 141 | 144 | 149 | 145 | 146 | 149 | 154 | 150 | 152 | 155 | 160 | 157 | 158 | 161 | 167 | |
| Hi PR | 245 | 246 | 248 | 252 | 283 | 285 | 286 | 290 | 324 | 325 | 326 | 331 | 367 | 368 | 369 | 374 | 413 | 414 | 416 | 420 | 463 | 464 | 466 | 470 | |
| Amps | 6.7 | 6.7 | 6.7 | 6.8 | 7.7 | 7.7 | 7.7 | 7.8 | 8.8 | 8.8 | 8.8 | 8.9 | 10.0 | 10.0 | 10.0 | 10.1 | 11.3 | 11.3 | 11.3 | 11.4 | 12.9 | 12.8 | 12.8 | 12.9 | |
| KW | 1.94 | 1.94 | 1.93 | 1.95 | 2.16 | 2.16 | 2.16 | 2.17 | 2.41 | 2.41 | 2.41 | 2.42 | 2.68 | 2.68 | 2.68 | 2.70 | 2.99 | 2.99 | 2.98 | 3.00 | 3.34 | 3.34 | 3.34 | 3.35 | |
| kBh | 36.5 | 37.0 | 38.1 | 39.7 | 36.2 | 36.7 | 37.7 | 39.4 | 35.3 | 35.8 | 36.8 | 38.4 | 33.7 | 34.2 | 35.2 | 36.8 | 31.7 | 32.2 | 33.3 | 34.9 | 29.9 | 30.4 | 31.5 | 33.1 | |
| S/T | 1.00 | 0.85 | 0.72 | 0.58 | 1.00 | 0.86 | 0.73 | 0.59 | 1.00 | 0.88 | 0.75 | 0.61 | 1.00 | 1.00 | 0.77 | 0.63 | 1.00 | 1.00 | 0.79 | 0.65 | 1.00 | 1.00 | 0.84 | 0.70 | |
| ΔT | 28 | 26 | 22 | 19 | 28 | 26 | 22 | 19 | 28 | 26 | 23 | 19 | 28 | 26 | 22 | 19 | 28 | 26 | 22 | 18 | 29 | 27 | 23 | 20 | |
| Lo PR | 127 | 128 | 131 | 136 | 134 | 136 | 139 | 144 | 141 | 142 | 145 | 150 | 146 | 148 | 151 | 156 | 152 | 153 | 156 | 161 | 158 | 160 | 163 | 168 | |
| Hi PR | 247 | 248 | 249 | 254 | 285 | 286 | 288 | 292 | 325 | 326 | 328 | 332 | 368 | 369 | 371 | 375 | 415 | 416 | 418 | 422 | 464 | 466 | 467 | 471 | |
| Amps | 6.8 | 6.8 | 6.8 | 6.8 | 7.8 | 7.7 | 7.7 | 7.8 | 8.8 | 8.8 | 8.8 | 8.9 | 10.0 | 10.0 | 10.0 | 10.1 | 11.3 | 11.3 | 11.3 | 11.4 | 12.9 | 12.9 | 12.9 | 12.9 | |
| KW | 1.95 | 1.94 | 1.94 | 1.96 | 2.17 | 2.17 | 2.16 | 2.18 | 2.42 | 2.42 | 2.41 | 2.43 | 2.69 | 2.69 | 2.69 | 2.70 | 2.99 | 2.99 | 2.99 | 3.01 | 3.35 | 3.35 | 3.34 | 3.36 | |
| 85 | kBh | 36.3 | 36.8 | 37.9 | 39.5 | 36.0 | 36.5 | 37.6 | 39.2 | 35.1 | 35.6 | 36.6 | 38.2 | 33.5 | 34.0 | 35.0 | 36.7 | 31.5 | 32.0 | 33.1 | 34.7 | 29.8 | 30.3 | 31.3 | 32.9 |
| | S/T | 1.00 | 0.88 | 0.75 | 0.61 | 1.00 | 0.89 | 0.76 | 0.62 | 1.00 | 1.00 | 0.78 | 0.64 | 1.00 | 1.00 | 0.80 | 0.66 | 1.00 | 1.00 | 0.82 | 0.68 | 1.00 | 1.00 | 1.00 | 0.73 |
| | ΔT | 34 | 32 | 28 | 24 | 34 | 32 | 28 | 24 | 34 | 32 | 28 | 24 | 34 | 32 | 28 | 24 | 33 | 31 | 28 | 24 | 35 | 33 | 29 | 25 |
| | Lo PR | 126 | 127 | 130 | 135 | 133 | 134 | 138 | 143 | 140 | 141 | 144 | 149 | 145 | 147 | 150 | 155 | 150 | 152 | 155 | 160 | 157 | 159 | 162 | 167 |
| | Hi PR | 245 | 246 | 248 | 252 | 283 | 284 | 286 | 290 | 323 | 324 | 326 | 330 | 366 | 367 | 369 | 373 | 413 | 414 | 416 | 420 | 463 | 464 | 465 | 470 |
| | Amps | 6.7 | 6.7 | 6.7 | 6.8 | 7.7 | 7.7 | 7.7 | 7.8 | 8.8 | 8.8 | 8.8 | 8.8 | 10.0 | 10.0 | 9.9 | 10.0 | 11.3 | 11.3 | 11.3 | 11.3 | 12.8 | 12.8 | 12.8 | 12.9 |
| | KW | 1.93 | 1.93 | 1.93 | 1.94 | 2.16 | 2.16 | 2.15 | 2.17 | 2.41 | 2.41 | 2.40 | 2.42 | 2.68 | 2.68 | 2.67 | 2.69 | 2.98 | 2.98 | 2.98 | 2.99 | 3.34 | 3.34 | 3.33 | 3.35 |
| | kBh | 36.7 | 37.2 | 38.2 | 39.9 | 36.4 | 36.9 | 37.9 | 39.5 | 35.4 | 35.9 | 37.0 | 38.6 | 33.8 | 34.3 | 35.4 | 37.0 | 31.9 | 32.4 | 33.5 | 35.1 | 30.1 | 30.6 | 31.7 | 33.3 |
| | S/T | 1.00 | 0.92 | 0.79 | 0.65 | 1.00 | 1.00 | 0.80 | 0.66 | 1.00 | 1.00 | 0.82 | 0.68 | 1.00 | 1.00 | 0.84 | 0.70 | 1.00 | 1.00 | 0.86 | 0.72 | 1.00 | 1.00 | 1.00 | 0.77 |
| | ΔT | 33 | 31 | 27 | 23 | 33 | 31 | 27 | 23 | 33 | 31 | 27 | 24 | 33 | 31 | 27 | 23 | 32 | 31 | 27 | 23 | 34 | 32 | 28 | 24 |
| Lo PR | 127 | 128 | 132 | 137 | 134 | 136 | 139 | 144 | 141 | 142 | 146 | 151 | 146 | 148 | 151 | 156 | 152 | 153 | 156 | 162 | 159 | 160 | 163 | 168 | |
| Hi PR | 246 | 247 | 249 | 253 | 285 | 286 | 287 | 292 | 325 | 326 | 327 | 332 | 368 | 369 | 371 | 375 | 414 | 415 | 417 | 421 | 464 | 465 | 467 | 471 | |
| Amps | 6.8 | 6.8 | 6.7 | 6.8 | 7.7 | 7.7 | 7.7 | 7.8 | 8.8 | 8.8 | 8.8 | 8.9 | 10.0 | 10.0 | 10.0 | 10.1 | 11.3 | 11.3 | 11.3 | 11.4 | 12.9 | 12.9 | 12.8 | 12.9 | |
| KW | 1.94 | 1.94 | 1.94 | 1.95 | 2.17 | 2.16 | 2.16 | 2.18 | 2.42 | 2.42 | 2.41 | 2.43 | 2.69 | 2.69 | 2.68 | 2.70 | 2.99 | 2.99 | 2.99 | 3.00 | 3.35 | 3.34 | 3.34 | 3.36 | |
| kBh | 37.1 | 37.6 | 38.7 | 40.3 | 36.8 | 37.3 | 38.3 | 40.0 | 35.9 | 36.4 | 37.4 | 39.0 | 34.3 | 34.8 | 35.8 | 37.4 | 32.3 | 32.8 | 33.9 | 35.5 | 30.5 | 31.0 | 32.1 | 33.7 | |
| S/T | 1.00 | 0.95 | 0.82 | 0.68 | 1.00 | 1.00 | 0.83 | 0.69 | 1.00 | 1.00 | 0.85 | 0.71 | 1.00 | 1.00 | 0.87 | 0.73 | 1.00 | 1.00 | 0.89 | 0.75 | 1.00 | 1.00 | 1.00 | 0.80 | |
| ΔT | 32 | 30 | 26 | 23 | 32 | 30 | 26 | 22 | 32 | 30 | 27 | 23 | 32 | 30 | 26 | 22 | 32 | 30 | 26 | 22 | 33 | 31 | 27 | 23 | |
| Lo PR | 128 | 130 | 133 | 138 | 136 | 137 | 140 | 146 | 142 | 144 | 147 | 152 | 148 | 149 | 153 | 158 | 153 | 155 | 158 | 163 | 160 | 162 | 165 | 170 | |
| Hi PR | 248 | 249 | 251 | 255 | 286 | 287 | 289 | 293 | 326 | 327 | 329 | 333 | 369 | 370 | 372 | 376 | 416 | 417 | 419 | 423 | 466 | 467 | 468 | 473 | |
| Amps | 6.8 | 6.8 | 6.8 | 6.8 | 7.8 | 7.8 | 7.7 | 7.8 | 8.9 | 8.9 | 8.8 | 8.9 | 10.0 | 10.0 | 10.0 | 10.1 | 11.4 | 11.4 | 11.3 | 11.4 | 12.9 | 12.9 | 12.9 | 13.0 | |
| KW | 1.95 | 1.95 | 1.94 | 1.96 | 2.17 | 2.17 | 2.17 | 2.19 | 2.42 | 2.42 | 2.42 | 2.44 | 2.70 | 2.69 | 2.69 | 2.71 | 3.00 | 3.00 | 2.99 | 3.01 | 3.35 | 3.35 | 3.35 | 3.37 | |

IDB = Entering Indoor Dry Bulb Temperature
 High and low pressures are measured at the liquid and suction service valves.
 Shaded area is AHRI (TVA) conditions
 kW = Total system power
 Amps = outdoor unit amps (comp.+fan)

| IDB | AIRFLOW | OUTDOOR AMBIENT TEMPERATURE | | | | | | | | | | | | 105°F | | | | | | | | | | | | 115°F | | | | | | | | | | | | | | | | |
|------|---------|-----------------------------|------|------|------|------|------|------|------|------|------|------|------|-------|------|------|------|------|------|------|------|------|------|------|------|-------|------|------|------|------|------|-------|------|------|------|------|------|------|------|------|------|---|
| | | 65°F | | | | | | 75°F | | | | | | 85°F | | | | | | 95°F | | | | | | 105°F | | | | | | 115°F | | | | | | | | | | |
| | | 59 | 63 | 67 | 71 | 59 | 63 | 67 | 71 | 59 | 63 | 67 | 71 | 59 | 63 | 67 | 71 | 59 | 63 | 67 | 71 | 59 | 63 | 67 | 71 | 59 | 63 | 67 | 71 | 59 | 63 | 67 | 71 | | | | | | | | | |
| 70 | 1260 | kBh | 35.9 | 36.4 | 37.4 | - | 35.5 | 36.0 | 37.1 | - | 34.6 | 35.1 | 36.2 | - | 33.0 | 33.5 | 34.6 | - | 31.0 | 31.5 | 32.6 | - | 29.2 | 29.8 | 30.8 | - | 31.0 | 31.5 | 32.6 | - | 29.2 | 29.8 | 30.8 | - | 31.0 | 31.5 | 32.6 | - | 29.2 | 29.8 | 30.8 | - |
| | | S/T | 0.61 | 0.54 | 0.41 | - | 0.62 | 0.55 | 0.41 | - | 0.64 | 0.57 | 0.44 | - | 0.66 | 0.59 | 0.46 | - | 1.00 | 0.61 | 0.48 | - | 1.00 | 0.66 | 0.53 | - | 1.00 | 0.61 | 0.48 | - | 1.00 | 0.66 | 0.53 | - | 1.00 | 0.61 | 0.48 | - | 1.00 | 0.66 | 0.53 | - |
| | | ΔT | 21 | 19 | 15 | - | 21 | 19 | 15 | - | 21 | 19 | 16 | - | 21 | 19 | 15 | - | 21 | 19 | 15 | - | 22 | 20 | 16 | - | 21 | 19 | 15 | - | 22 | 20 | 16 | - | 21 | 19 | 15 | - | 22 | 20 | 16 | - |
| | | Lo PR | 121 | 123 | 126 | - | 128 | 130 | 133 | - | 135 | 136 | 139 | - | 140 | 142 | 145 | - | 146 | 147 | 150 | - | 152 | 154 | 157 | - | 146 | 147 | 150 | - | 152 | 154 | 157 | - | 146 | 147 | 150 | - | 152 | 154 | 157 | - |
| | | Hi PR | 224 | 225 | 226 | - | 259 | 260 | 262 | - | 296 | 297 | 298 | - | 336 | 337 | 338 | - | 378 | 379 | 381 | - | 424 | 425 | 427 | - | 378 | 379 | 381 | - | 424 | 425 | 427 | - | 378 | 379 | 381 | - | 424 | 425 | 427 | - |
| | | Amps | 5.9 | 5.9 | 5.9 | - | 6.7 | 6.7 | 6.7 | - | 7.7 | 7.7 | 7.6 | - | 8.7 | 8.7 | 8.7 | - | 9.8 | 9.8 | 9.8 | - | 11.2 | 11.2 | 11.1 | - | 9.8 | 9.8 | 9.8 | - | 11.2 | 11.2 | 11.1 | - | 9.8 | 9.8 | 9.8 | - | 11.2 | 11.2 | 11.1 | - |
| | KW | 1.67 | 1.67 | 1.67 | - | 1.87 | 1.87 | 1.86 | - | 2.08 | 2.08 | 2.08 | - | 2.32 | 2.32 | 2.31 | - | 2.58 | 2.58 | 2.58 | - | 2.89 | 2.89 | 2.88 | - | 2.58 | 2.58 | 2.58 | - | 2.89 | 2.89 | 2.88 | - | 2.58 | 2.58 | 2.58 | - | 2.89 | 2.89 | 2.88 | - | |
| | 1400 | kBh | 36.2 | 36.7 | 37.8 | - | 35.9 | 36.4 | 37.4 | - | 34.9 | 35.4 | 36.5 | - | 33.3 | 33.8 | 34.9 | - | 31.4 | 31.9 | 32.9 | - | 29.6 | 30.1 | 31.1 | - | 31.4 | 31.9 | 32.9 | - | 29.6 | 30.1 | 31.1 | - | 31.4 | 31.9 | 32.9 | - | 29.6 | 30.1 | 31.1 | - |
| | | S/T | 0.65 | 0.58 | 0.44 | - | 0.66 | 0.58 | 0.45 | - | 0.68 | 0.61 | 0.47 | - | 0.70 | 0.63 | 0.49 | - | 1.00 | 0.65 | 0.51 | - | 1.00 | 0.70 | 0.57 | - | 1.00 | 0.65 | 0.51 | - | 1.00 | 0.70 | 0.57 | - | 1.00 | 0.65 | 0.51 | - | 1.00 | 0.70 | 0.57 | - |
| | | ΔT | 20 | 18 | 14 | - | 20 | 18 | 14 | - | 20 | 18 | 15 | - | 20 | 18 | 14 | - | 20 | 18 | 14 | - | 21 | 19 | 15 | - | 20 | 18 | 14 | - | 21 | 19 | 15 | - | 20 | 18 | 14 | - | 21 | 19 | 15 | - |
| | | Lo PR | 122 | 124 | 127 | - | 130 | 131 | 134 | - | 136 | 138 | 141 | - | 142 | 143 | 146 | - | 147 | 148 | 151 | - | 154 | 155 | 158 | - | 147 | 148 | 151 | - | 154 | 155 | 158 | - | 147 | 148 | 151 | - | 154 | 155 | 158 | - |
| | | Hi PR | 225 | 226 | 228 | - | 260 | 261 | 263 | - | 297 | 298 | 300 | - | 337 | 338 | 339 | - | 380 | 381 | 382 | - | 425 | 426 | 428 | - | 380 | 381 | 382 | - | 425 | 426 | 428 | - | 380 | 381 | 382 | - | 425 | 426 | 428 | - |
| Amps | | 5.9 | 5.9 | 5.9 | - | 6.7 | 6.7 | 6.7 | - | 7.7 | 7.7 | 7.7 | - | 8.7 | 8.7 | 8.7 | - | 9.9 | 9.8 | 9.8 | - | 11.2 | 11.2 | 11.2 | - | 9.9 | 9.8 | 9.8 | - | 11.2 | 11.2 | 11.2 | - | 9.9 | 9.8 | 9.8 | - | 11.2 | 11.2 | 11.2 | - | |
| KW | 1.68 | 1.68 | 1.68 | - | 1.87 | 1.87 | 1.87 | - | 2.09 | 2.09 | 2.09 | - | 2.33 | 2.32 | 2.32 | - | 2.59 | 2.59 | 2.58 | - | 2.90 | 2.89 | 2.89 | - | 2.59 | 2.59 | 2.58 | - | 2.90 | 2.89 | 2.89 | - | 2.59 | 2.59 | 2.58 | - | 2.90 | 2.89 | 2.89 | - | | |
| 1540 | kBh | 36.6 | 37.1 | 38.2 | - | 36.3 | 36.8 | 37.9 | - | 35.4 | 35.9 | 36.9 | - | 33.7 | 34.3 | 35.3 | - | 31.8 | 32.3 | 33.4 | - | 30.0 | 30.5 | 31.6 | - | 31.8 | 32.3 | 33.4 | - | 30.0 | 30.5 | 31.6 | - | 31.8 | 32.3 | 33.4 | - | 30.0 | 30.5 | 31.6 | - | |
| | S/T | 0.68 | 0.60 | 0.47 | - | 0.68 | 0.61 | 0.48 | - | 0.71 | 0.63 | 0.50 | - | 0.73 | 0.65 | 0.52 | - | 1.00 | 0.67 | 0.54 | - | 1.00 | 0.72 | 0.59 | - | 1.00 | 0.67 | 0.54 | - | 1.00 | 0.72 | 0.59 | - | 1.00 | 0.67 | 0.54 | - | 1.00 | 0.72 | 0.59 | - | |
| | ΔT | 19 | 17 | 14 | - | 19 | 17 | 14 | - | 20 | 18 | 14 | - | 19 | 17 | 14 | - | 19 | 17 | 13 | - | 20 | 18 | 15 | - | 19 | 17 | 13 | - | 20 | 18 | 15 | - | 19 | 17 | 13 | - | 20 | 18 | 15 | - | |
| | Lo PR | 124 | 125 | 128 | - | 131 | 133 | 136 | - | 138 | 139 | 142 | - | 143 | 145 | 148 | - | 148 | 150 | 153 | - | 155 | 157 | 160 | - | 148 | 150 | 153 | - | 155 | 157 | 160 | - | 148 | 150 | 153 | - | 155 | 157 | 160 | - | |
| | Hi PR | 226 | 227 | 229 | - | 262 | 263 | 264 | - | 299 | 300 | 301 | - | 338 | 339 | 341 | - | 381 | 382 | 384 | - | 427 | 428 | 429 | - | 381 | 382 | 384 | - | 427 | 428 | 429 | - | 381 | 382 | 384 | - | 427 | 428 | 429 | - | |
| | Amps | 5.9 | 5.9 | 5.9 | - | 6.8 | 6.8 | 6.8 | - | 7.7 | 7.7 | 7.7 | - | 8.7 | 8.7 | 8.7 | - | 9.9 | 9.9 | 9.9 | - | 11.2 | 11.2 | 11.2 | - | 9.9 | 9.9 | 9.9 | - | 11.2 | 11.2 | 11.2 | - | 9.9 | 9.9 | 9.9 | - | 11.2 | 11.2 | 11.2 | - | |
| KW | 1.69 | 1.69 | 1.68 | - | 1.88 | 1.88 | 1.88 | - | 2.10 | 2.10 | 2.09 | - | 2.33 | 2.33 | 2.33 | - | 2.59 | 2.59 | 2.59 | - | 2.90 | 2.90 | 2.90 | - | 2.59 | 2.59 | 2.59 | - | 2.90 | 2.90 | 2.90 | - | 2.59 | 2.59 | 2.59 | - | 2.90 | 2.90 | 2.90 | - | | |

| IDB | AIRFLOW | OUTDOOR AMBIENT TEMPERATURE | | | | | | | | | | | | 105°F | | | | | | | | | | | | 115°F | | | | | | | | | | | | | | | | | |
|------|---------|-----------------------------|------|------|------|------|------|------|------|------|------|------|------|-------|------|------|------|------|------|------|------|------|------|------|------|-------|------|------|------|------|------|-------|------|------|------|------|------|------|------|------|------|------|------|
| | | 65°F | | | | | | 75°F | | | | | | 85°F | | | | | | 95°F | | | | | | 105°F | | | | | | 115°F | | | | | | | | | | | |
| | | 59 | 63 | 67 | 71 | 59 | 63 | 67 | 71 | 59 | 63 | 67 | 71 | 59 | 63 | 67 | 71 | 59 | 63 | 67 | 71 | 59 | 63 | 67 | 71 | 59 | 63 | 67 | 71 | 59 | 63 | 67 | 71 | | | | | | | | | | |
| 75 | 1260 | kBh | 35.9 | 36.4 | 37.4 | 39.1 | 35.6 | 36.1 | 37.1 | 38.8 | 34.6 | 35.1 | 36.2 | 37.8 | 33.0 | 33.5 | 34.6 | 36.2 | 31.1 | 31.6 | 32.6 | 34.3 | 29.3 | 29.8 | 30.8 | 32.5 | 31.1 | 31.6 | 32.6 | 34.3 | 29.3 | 29.8 | 30.8 | 32.5 | 31.1 | 31.6 | 32.6 | 34.3 | 29.3 | 29.8 | 30.8 | 32.5 | |
| | | S/T | 0.74 | 0.66 | 0.53 | 0.39 | 0.75 | 0.67 | 0.54 | 0.40 | 1.00 | 0.70 | 0.56 | 0.42 | 1.00 | 0.71 | 0.58 | 0.44 | 1.00 | 0.74 | 0.60 | 0.46 | 1.00 | 0.79 | 0.65 | 0.51 | 1.00 | 0.74 | 0.60 | 0.46 | 1.00 | 0.79 | 0.65 | 0.51 | 1.00 | 0.74 | 0.60 | 0.46 | 1.00 | 0.79 | 0.65 | 0.51 | |
| | | ΔT | 25 | 23 | 20 | 16 | 25 | 23 | 20 | 16 | 25 | 24 | 20 | 16 | 25 | 23 | 20 | 16 | 25 | 23 | 19 | 15 | 26 | 24 | 21 | 17 | 25 | 23 | 19 | 15 | 26 | 24 | 21 | 17 | 25 | 23 | 19 | 15 | 26 | 24 | 21 | 17 | |
| | | Lo PR | 121 | 123 | 126 | 131 | 129 | 130 | 133 | 138 | 138 | 135 | 136 | 140 | 145 | 140 | 142 | 145 | 150 | 146 | 147 | 150 | 155 | 152 | 154 | 157 | 162 | 146 | 147 | 150 | 155 | 152 | 154 | 157 | 162 | 146 | 147 | 150 | 155 | 152 | 154 | 157 | 162 |
| | | Hi PR | 224 | 225 | 227 | 230 | 259 | 260 | 262 | 266 | 266 | 296 | 297 | 299 | 303 | 336 | 337 | 338 | 342 | 379 | 380 | 381 | 385 | 424 | 425 | 427 | 431 | 379 | 380 | 381 | 385 | 424 | 425 | 427 | 431 | 379 | 380 | 381 | 385 | 424 | 425 | 427 | 431 |
| | | Amps | 5.9 | 5.9 | 5.8 | 5.9 | 6.7 | 6.7 | 6.7 | 6.8 | 6.8 | 7.7 | 7.7 | 7.6 | 7.7 | 8.7 | 8.7 | 8.7 | 8.7 | 9.8 | 9.8 | 9.8 | 9.9 | 11.2 | 11.1 | 11.1 | 11.2 | 9.8 | 9.8 | 9.8 | 9.9 | 11.2 | 11.1 | 11.1 | 11.2 | 9.8 | 9.8 | 9.8 | 9.9 | 11.2 | 11.1 | 11.1 | 11.2 |
| | KW | 1.67 | 1.67 | 1.67 | 1.68 | 1.87 | 1.86 | 1.86 | 1.88 | 1.88 | 2.08 | 2.08 | 2.08 | 2.09 | 2.32 | 2.32 | 2.31 | 2.33 | 2.58 | 2.58 | 2.58 | 2.59 | 2.89 | 2.89 | 2.88 | 2.90 | 2.58 | 2.58 | 2.58 | 2.59 | 2.89 | 2.89 | 2.88 | 2.90 | 2.58 | 2.58 | 2.58 | 2.59 | 2.89 | 2.89 | 2.88 | 2.90 | |
| | 1400 | kBh | 36.2 | 36.7 | 37.8 | 39.4 | 35.9 | 36.4 | 37.5 | 39.1 | 35.0 | 35.5 | 36.5 | 38.2 | 33.3 | 33.9 | 34.9 | 36.6 | 31.4 | 31.9 | 33.0 | 34.6 | 29.6 | 30.1 | 31.2 | 32.8 | 31.4 | 31.9 | 33.0 | 34.6 | 29.6 | 30.1 | 31.2 | 32.8 | 31.4 | 31.9 | 33.0 | 34.6 | 29.6 | 30.1 | 31.2 | 32.8 | |
| | | S/T | 0.78 | 0.70 | 0.57 | 0.43 | 0.78 | 0.71 | 0.58 | 0.44 | 1.00 | 0.73 | 0.60 | 0.46 | 1.00 | 0.75 | 0.62 | 0.48 | 1.00 | 0.77 | 0.64 | 0.50 | 1.00 | 1.00 | 0.69 | 0.55 | 1.00 | 0.77 | 0.64 | 0.50 | 1.00 | 1.00 | 0.69 | 0.55 | 1.00 | 0.77 | 0.64 | 0.50 | 1.00 | 1.00 | 0.69 | 0.55 | |
| | | ΔT | 24 | 23 | 19 | 15 | 24 | 22 | 19 | 15 | 24 | 25 | 23 | 19 | 15 | 24 | 22 | 19 | 15 | 24 | 22 | 18 | 15 | 25 | 23 | 20 | 16 | 24 | 22 | 18 | 15 | 25 | 23 | 20 | 16 | 24 | 22 | 18 | 15 | 25 | 23 | 20 | 16 |
| | | Lo PR | 122 | 124 | 127 | 132 | 130 | 131 | 134 | 139 | 139 | 136 | 138 | 141 | 146 | 142 | 143 | 146 | 151 | 147 | 148 | 152 | 157 | 154 | 155 | 158 | 163 | 147 | 148 | 152 | 157 | 154 | 155 | 158 | 163 | 147 | 148 | 152 | 157 | 154 | 155 | 158 | 163 |
| | | Hi PR | 225 | 226 | 228 | 232 | 260 | 261 | 263 | 267 | 267 | 297 | 298 | 300 | 304 | 337 | 338 | 340 | 344 | 380 | 381 | 382 | 386 | 426 | 427 | 428 | 432 | 380 | 381 | 382 | 386 | 426 | 427 | 428 | 432 | 380 | 381 | 382 | 386 | 426 | 427 | 428 | 432 |
| Amps | | 5.9 | 5.9 | 5.9 | 5.9 | 6.7 | 6.7 | 6.7 | 6.8 | 6.8 | 7.7 | 7.7 | 7.7 | 7.7 | 8.7 | 8.7 | 8.7 | 8.8 | 9.8 | 9.8 | 9.8 | 9.9 | 11.2 | 11.2 | 11.2 | 11.2 | 9.8 | 9.8 | 9.8 | 9.9 | 11.2 | 11.2 | 11.2 | 11.2 | 9.8 | 9.8 | 9.8 | 9.9 | 11.2 | 11.2 | 11.2 | 11.2 | |
| KW | 1.68 | 1.68 | 1.67 | 1.69 | 1.87 | 1.87 | 1.87 | 1.88 | 1.88 | 2.09 | 2.09 | 2.09 | | | | | | | | | | | | | | | | | | | | | | | | | | | | | | | |

EXPANDED COOLING DATA — GSXC180481B*+CA*F4961*6D*+EEP+TXV LOW STAGE (CONT.)

| IDB | AIRFLOW | OUTDOOR AMBIENT TEMPERATURE | | | | | | | | | | | | ENTERING INDOOR WET BULB TEMPERATURE | | | | | | | | | | | |
|-------|---------|-----------------------------|------|------|------|------|------|------|------|------|------|------|------|--------------------------------------|------|------|------|-------|------|------|------|-------|------|------|------|
| | | 65°F | | | | 75°F | | | | 85°F | | | | 95°F | | | | 105°F | | | | 115°F | | | |
| | | 59 | 63 | 67 | 71 | 59 | 63 | 67 | 71 | 59 | 63 | 67 | 71 | 59 | 63 | 67 | 71 | 59 | 63 | 67 | 71 | 59 | 63 | 67 | 71 |
| 80 | kBh | 36.1 | 36.6 | 37.6 | 39.3 | 35.7 | 36.2 | 37.3 | 38.9 | 34.8 | 35.3 | 36.4 | 38.0 | 33.2 | 33.7 | 34.8 | 36.4 | 31.2 | 31.7 | 32.8 | 34.4 | 29.5 | 30.0 | 31.0 | 32.7 |
| | S/T | 0.86 | 0.79 | 0.66 | 0.52 | 1.00 | 0.79 | 0.66 | 0.52 | 1.00 | 0.82 | 0.69 | 0.55 | 1.00 | 0.84 | 0.70 | 0.57 | 1.00 | 1.00 | 0.73 | 0.59 | 1.00 | 1.00 | 0.78 | 0.64 |
| | ΔT | 30 | 28 | 24 | 20 | 30 | 28 | 24 | 20 | 30 | 28 | 24 | 20 | 30 | 28 | 24 | 20 | 29 | 27 | 24 | 20 | 31 | 29 | 25 | 21 |
| | Lo PR | 122 | 123 | 126 | 131 | 129 | 131 | 134 | 139 | 135 | 137 | 140 | 145 | 141 | 142 | 145 | 151 | 146 | 148 | 151 | 156 | 153 | 154 | 157 | 163 |
| | Hi PR | 224 | 225 | 227 | 231 | 260 | 261 | 262 | 266 | 297 | 297 | 299 | 303 | 336 | 337 | 339 | 343 | 379 | 380 | 382 | 385 | 425 | 426 | 427 | 431 |
| | Amps | 5.9 | 5.9 | 5.9 | 5.9 | 6.7 | 6.7 | 6.7 | 6.8 | 7.7 | 7.7 | 7.7 | 7.7 | 8.7 | 8.7 | 8.7 | 8.7 | 9.8 | 9.8 | 9.8 | 9.9 | 11.2 | 11.2 | 11.2 | 11.2 |
| | KW | 1.67 | 1.67 | 1.67 | 1.68 | 1.87 | 1.87 | 1.86 | 1.88 | 2.08 | 2.08 | 2.08 | 2.09 | 2.32 | 2.32 | 2.31 | 2.33 | 2.58 | 2.58 | 2.58 | 2.59 | 2.89 | 2.89 | 2.88 | 2.90 |
| | kBh | 36.4 | 36.9 | 38.0 | 39.6 | 36.1 | 36.6 | 37.6 | 39.3 | 35.1 | 35.6 | 36.7 | 38.3 | 33.5 | 34.0 | 35.1 | 36.7 | 31.6 | 32.1 | 33.1 | 34.8 | 29.8 | 30.3 | 31.4 | 33.0 |
| | S/T | 1.00 | 0.82 | 0.69 | 0.55 | 1.00 | 0.83 | 0.70 | 0.56 | 1.00 | 0.86 | 0.72 | 0.58 | 1.00 | 0.87 | 0.74 | 0.60 | 1.00 | 1.00 | 0.76 | 0.62 | 1.00 | 1.00 | 0.81 | 0.67 |
| | ΔT | 29 | 27 | 23 | 19 | 29 | 27 | 23 | 19 | 29 | 27 | 23 | 20 | 29 | 27 | 23 | 19 | 29 | 27 | 23 | 19 | 30 | 28 | 24 | 20 |
| Lo PR | 123 | 124 | 128 | 133 | 130 | 132 | 135 | 140 | 137 | 138 | 141 | 146 | 142 | 144 | 147 | 152 | 147 | 149 | 152 | 157 | 154 | 156 | 159 | 164 | |
| Hi PR | 226 | 227 | 228 | 232 | 261 | 262 | 263 | 267 | 298 | 299 | 300 | 304 | 338 | 338 | 340 | 344 | 380 | 381 | 383 | 387 | 426 | 427 | 429 | 432 | |
| Amps | 5.9 | 5.9 | 5.9 | 5.9 | 6.7 | 6.7 | 6.7 | 6.8 | 7.7 | 7.7 | 7.7 | 7.7 | 8.7 | 8.7 | 8.7 | 8.8 | 9.9 | 9.8 | 9.8 | 9.9 | 11.2 | 11.2 | 11.2 | 11.2 | |
| KW | 1.68 | 1.68 | 1.68 | 1.69 | 1.87 | 1.87 | 1.87 | 1.88 | 2.09 | 2.09 | 2.09 | 2.10 | 2.33 | 2.33 | 2.32 | 2.34 | 2.59 | 2.59 | 2.58 | 2.60 | 2.90 | 2.89 | 2.89 | 2.91 | |
| 85 | kBh | 36.7 | 37.2 | 38.2 | 39.9 | 36.3 | 36.8 | 37.9 | 39.5 | 35.4 | 35.9 | 37.0 | 38.6 | 33.8 | 34.3 | 35.4 | 37.0 | 31.8 | 32.3 | 33.4 | 35.0 | 30.1 | 30.6 | 31.6 | 33.3 |
| | S/T | 1.00 | 0.89 | 0.75 | 0.61 | 1.00 | 0.89 | 0.76 | 0.62 | 1.00 | 1.00 | 0.78 | 0.64 | 1.00 | 1.00 | 0.80 | 0.66 | 1.00 | 1.00 | 0.83 | 0.69 | 1.00 | 1.00 | 1.00 | 0.74 |
| | ΔT | 34 | 32 | 28 | 24 | 33 | 31 | 28 | 24 | 34 | 32 | 28 | 24 | 33 | 31 | 28 | 24 | 33 | 31 | 28 | 24 | 34 | 32 | 29 | 25 |
| | Lo PR | 124 | 125 | 128 | 133 | 131 | 132 | 135 | 141 | 137 | 139 | 142 | 147 | 143 | 144 | 147 | 152 | 148 | 150 | 153 | 158 | 155 | 156 | 159 | 164 |
| | Hi PR | 225 | 226 | 228 | 232 | 261 | 262 | 263 | 267 | 298 | 299 | 300 | 304 | 337 | 338 | 340 | 344 | 380 | 381 | 383 | 387 | 426 | 427 | 428 | 432 |
| | Amps | 5.9 | 5.9 | 5.9 | 5.9 | 6.7 | 6.7 | 6.7 | 6.8 | 7.7 | 7.7 | 7.7 | 7.7 | 8.7 | 8.7 | 8.7 | 8.7 | 9.8 | 9.8 | 9.8 | 9.9 | 11.2 | 11.2 | 11.2 | 11.2 |
| | KW | 1.68 | 1.68 | 1.67 | 1.69 | 1.87 | 1.87 | 1.87 | 1.88 | 2.09 | 2.09 | 2.08 | 2.10 | 2.32 | 2.32 | 2.32 | 2.33 | 2.59 | 2.58 | 2.58 | 2.60 | 2.89 | 2.89 | 2.89 | 2.90 |
| | kBh | 37.0 | 37.5 | 38.6 | 40.2 | 36.7 | 37.2 | 38.2 | 39.9 | 35.7 | 36.2 | 37.3 | 38.9 | 34.1 | 34.6 | 35.7 | 37.3 | 32.2 | 32.7 | 33.7 | 35.4 | 30.4 | 30.9 | 32.0 | 33.6 |
| | S/T | 1.00 | 0.92 | 0.79 | 0.65 | 1.00 | 0.93 | 0.80 | 0.66 | 1.00 | 1.00 | 0.82 | 0.68 | 1.00 | 1.00 | 0.84 | 0.70 | 1.00 | 1.00 | 0.86 | 0.72 | 1.00 | 1.00 | 1.00 | 0.77 |
| | ΔT | 33 | 31 | 27 | 23 | 33 | 31 | 27 | 23 | 33 | 31 | 27 | 23 | 33 | 31 | 27 | 23 | 32 | 30 | 27 | 23 | 34 | 32 | 28 | 24 |
| Lo PR | 125 | 126 | 129 | 134 | 132 | 134 | 137 | 142 | 139 | 140 | 143 | 148 | 144 | 145 | 149 | 154 | 149 | 151 | 154 | 159 | 156 | 157 | 161 | 166 | |
| Hi PR | 227 | 228 | 229 | 233 | 262 | 263 | 264 | 268 | 299 | 300 | 301 | 305 | 339 | 340 | 341 | 345 | 381 | 382 | 384 | 388 | 427 | 428 | 430 | 434 | |
| Amps | 5.9 | 5.9 | 5.9 | 6.0 | 6.8 | 6.8 | 6.7 | 6.8 | 7.7 | 7.7 | 7.7 | 7.8 | 8.7 | 8.7 | 8.7 | 8.8 | 9.9 | 9.9 | 9.8 | 9.9 | 11.2 | 11.2 | 11.2 | 11.2 | |
| KW | 1.68 | 1.68 | 1.68 | 1.69 | 1.88 | 1.88 | 1.87 | 1.89 | 2.09 | 2.09 | 2.09 | 2.10 | 2.33 | 2.33 | 2.32 | 2.34 | 2.59 | 2.59 | 2.59 | 2.60 | 2.90 | 2.90 | 2.90 | 2.91 | |
| 1260 | kBh | 37.4 | 37.9 | 39.0 | 40.6 | 37.1 | 37.6 | 38.7 | 40.3 | 36.2 | 36.7 | 37.7 | 39.4 | 34.6 | 35.1 | 36.1 | 37.8 | 32.6 | 33.1 | 34.2 | 35.8 | 30.8 | 31.3 | 32.4 | 34.0 |
| | S/T | 1.00 | 0.95 | 0.82 | 0.68 | 1.00 | 0.96 | 0.82 | 0.68 | 1.00 | 1.00 | 0.85 | 0.71 | 1.00 | 1.00 | 0.87 | 0.73 | 1.00 | 1.00 | 0.89 | 0.75 | 1.00 | 1.00 | 1.00 | 0.80 |
| | ΔT | 32 | 30 | 26 | 22 | 32 | 30 | 26 | 22 | 32 | 30 | 27 | 23 | 32 | 30 | 26 | 22 | 32 | 30 | 26 | 22 | 33 | 31 | 27 | 23 |
| | Lo PR | 126 | 128 | 131 | 136 | 134 | 135 | 138 | 143 | 140 | 141 | 145 | 150 | 145 | 147 | 150 | 155 | 151 | 152 | 155 | 160 | 157 | 159 | 162 | 167 |
| | Hi PR | 228 | 229 | 231 | 235 | 263 | 264 | 266 | 270 | 300 | 301 | 303 | 307 | 340 | 341 | 343 | 346 | 383 | 384 | 385 | 389 | 429 | 429 | 431 | 435 |
| | Amps | 5.9 | 5.9 | 5.9 | 6.0 | 6.8 | 6.8 | 6.8 | 6.8 | 7.7 | 7.7 | 7.7 | 7.8 | 8.8 | 8.7 | 8.7 | 8.8 | 9.9 | 9.9 | 9.9 | 9.9 | 11.2 | 11.2 | 11.2 | 11.3 |
| | KW | 1.69 | 1.69 | 1.69 | 1.70 | 1.88 | 1.88 | 1.88 | 1.89 | 2.10 | 2.10 | 2.10 | 2.11 | 2.34 | 2.33 | 2.33 | 2.35 | 2.60 | 2.60 | 2.59 | 2.61 | 2.91 | 2.90 | 2.90 | 2.92 |

IDB = Entering Indoor Dry Bulb Temperature
 High and low pressures are measured at the liquid and suction service valves.
 Shaded area is AHRI (TVA) conditions
 kW = Total system power
 Amps = outdoor unit amps (comp.+fan)

| IDB | AIRFLOW | OUTDOOR AMBIENT TEMPERATURE | | | | | | | | | | | | ENTERING INDOOR WET BULB TEMPERATURE | | | | | | | | | | | |
|------|---------|-----------------------------|------|------|----|------|------|------|----|------|------|------|----|--------------------------------------|------|------|----|-------|------|------|----|-------|------|------|----|
| | | 65°F | | | | 75°F | | | | 85°F | | | | 95°F | | | | 105°F | | | | 115°F | | | |
| | | 59 | 63 | 67 | 71 | 59 | 63 | 67 | 71 | 59 | 63 | 67 | 71 | 59 | 63 | 67 | 71 | 59 | 63 | 67 | 71 | 59 | 63 | 67 | 71 |
| 70 | kBh | 49.8 | 50.5 | 52.0 | - | 49.4 | 50.1 | 51.5 | - | 48.1 | 48.8 | 50.2 | - | 45.8 | 46.5 | 48.0 | - | 43.1 | 43.8 | 45.3 | - | 40.6 | 41.3 | 42.8 | - |
| | S/T | 0.59 | 0.52 | 0.39 | - | 0.60 | 0.52 | 0.39 | - | 0.62 | 0.55 | 0.42 | - | 0.64 | 0.57 | 0.44 | - | 0.66 | 0.59 | 0.46 | - | 1.00 | 0.64 | 0.51 | - |
| | ΔT | 22 | 20 | 16 | - | 22 | 20 | 16 | - | 22 | 20 | 16 | - | 22 | 20 | 16 | - | 21 | 19 | 16 | - | 23 | 21 | 17 | - |
| | Lo PR | 118 | 119 | 122 | - | 125 | 126 | 129 | - | 131 | 133 | 135 | - | 136 | 138 | 141 | - | 142 | 143 | 146 | - | 148 | 149 | 152 | - |
| | Hi PR | 234 | 235 | 237 | - | 271 | 272 | 273 | - | 309 | 310 | 312 | - | 351 | 352 | 353 | - | 396 | 397 | 398 | - | 443 | 444 | 446 | - |
| | Amps | 9.3 | 9.3 | 9.3 | - | 10.7 | 10.7 | 10.6 | - | 12.2 | 12.2 | 12.1 | - | 13.8 | 13.8 | 13.8 | - | 15.6 | 15.6 | 15.6 | - | 17.7 | 17.7 | 17.7 | - |
| | KW | 2.66 | 2.66 | 2.65 | - | 2.97 | 2.97 | 2.96 | - | 3.31 | 3.31 | 3.30 | - | 3.69 | 3.68 | 3.68 | - | 4.10 | 4.10 | 4.09 | - | 4.59 | 4.59 | 4.58 | - |
| 1400 | kBh | 50.3 | 51.0 | 52.5 | - | 49.9 | 50.6 | 52.1 | - | 48.6 | 49.3 | 50.8 | - | 46.4 | 47.1 | 48.5 | - | 43.6 | 44.3 | 45.8 | - | 41.1 | 41.8 | 43.3 | - |
| | S/T | 0.63 | 0.56 | 0.43 | - | 0.64 | 0.57 | 0.44 | - | 0.66 | 0.59 | 0.46 | - | 0.68 | 0.61 | 0.48 | - | 0.70 | 0.63 | 0.50 | - | 1.00 | 0.68 | 0.55 | - |
| | ΔT | 21 | 19 | 15 | - | 21 | 19 | 15 | - | 21 | 19 | 15 | - | 21 | 19 | 15 | - | 21 | 18 | 15 | - | 22 | 20 | 16 | - |
| | Lo PR | 119 | 121 | 123 | - | 126 | 128 | 131 | - | 132 | 134 | 137 | - | 138 | 139 | 142 | - | 143 | 144 | 147 | - | 149 | 151 | 154 | - |
| | Hi PR | 235 | 236 | 238 | - | 272 | 273 | 275 | - | 311 | 312 | 314 | - | 352 | 353 | 355 | - | 397 | 398 | 400 | - | 445 | 446 | 448 | - |
| | Amps | 9.4 | 9.4 | 9.4 | - | 10.7 | 10.7 | 10.7 | - | 12.2 | 12.2 | 12.2 | - | 13.9 | 13.8 | 13.8 | - | 15.7 | 15.7 | 15.6 | - | 17.8 | 17.8 | 17.8 | - |
| | KW | 2.67 | 2.67 | 2.66 | - | 2.98 | 2.98 | 2.97 | - | 3.32 | 3.32 | 3.32 | - | 3.70 | 3.70 | 3.69 | - | 4.11 | 4.11 | 4.11 | - | 4.60 | 4.60 | 4.60 | - |
| 1540 | kBh | 50.9 | 51.6 | 53.1 | - | 50.5 | 51.2 | 52.7 | - | 49.2 | 49.9 | 51.4 | - | 47.0 | 47.7 | 49.2 | - | 44.2 | 44.9 | 46.4 | - | 41.8 | 42.5 | 43.9 | - |
| | S/T | 0.66 | 0.59 | 0.46 | - | 0.67 | 0.59 | 0.47 | - | 0.69 | 0.62 | 0.49 | - | 0.71 | 0.64 | 0.51 | - | 1.00 | 0.66 | 0.53 | - | 1.00 | 0.71 | 0.58 | - |
| | ΔT | 20 | 18 | 14 | - | 20 | 18 | 14 | - | 20 | 18 | 14 | - | 20 | 18 | 14 | - | 20 | 18 | 14 | - | 21 | 19 | 15 | - |
| | Lo PR | 121 | 122 | 125 | - | 128 | 129 | 132 | - | 134 | 135 | 138 | - | 139 | 141 | 144 | - | 144 | 146 | 149 | - | 151 | 152 | 155 | - |
| | Hi PR | 237 | 238 | 240 | - | 274 | 275 | 276 | - | 312 | 313 | 315 | - | 354 | 355 | 357 | - | 399 | 400 | 401 | - | 447 | 448 | 449 | - |
| | Amps | 9.4 | 9.4 | 9.4 | - | 10.8 | 10.8 | 10.7 | - | 12.3 | 12.3 | 12.2 | - | 13.9 | 13.9 | 13.9 | - | 15.7 | 15.7 | 15.7 | - | 17.8 | 17.8 | 17.8 | - |
| | KW | 2.68 | 2.68 | 2.67 | - | 2.99 | 2.99 | 2.98 | - | 3.34 | 3.33 | 3.33 | - | 3.71 | 3.71 | 3.70 | - | 4.13 | 4.12 | 4.12 | - | 4.61 | 4.61 | 4.61 | - |

| IDB | AIRFLOW | OUTDOOR AMBIENT TEMPERATURE | | | | | | | | | | | | ENTERING INDOOR WET BULB TEMPERATURE | | | | | | | | | | | |
|------|---------|-----------------------------|------|------|------|------|------|------|------|------|------|------|------|--------------------------------------|-------------|------|------|-------|------|------|------|-------|------|------|------|
| | | 65°F | | | | 75°F | | | | 85°F | | | | 95°F | | | | 105°F | | | | 115°F | | | |
| | | 59 | 63 | 67 | 71 | 59 | 63 | 67 | 71 | 59 | 63 | 67 | 71 | 59 | 63 | 67 | 71 | 59 | 63 | 67 | 71 | 59 | 63 | 67 | 71 |
| 75 | kBh | 49.8 | 50.5 | 52.0 | 54.3 | 49.4 | 50.1 | 51.6 | 53.8 | 48.1 | 48.8 | 50.3 | 52.5 | 45.9 | 46.6 | 48.0 | 50.3 | 43.1 | 43.8 | 45.3 | 47.6 | 40.6 | 41.3 | 42.8 | 45.1 |
| | S/T | 0.71 | 0.64 | 0.51 | 0.38 | 0.72 | 0.65 | 0.52 | 0.38 | 0.74 | 0.67 | 0.54 | 0.41 | 1.00 | 0.69 | 0.56 | 0.42 | 1.00 | 0.71 | 0.58 | 0.44 | 1.00 | 0.76 | 0.63 | 0.49 |
| | ΔT | 26 | 24 | 20 | 17 | 26 | 24 | 20 | 16 | 27 | 25 | 21 | 17 | 26 | 24 | 20 | 16 | 26 | 24 | 20 | 16 | 27 | 25 | 21 | 17 |
| | Lo PR | 118 | 119 | 122 | 127 | 125 | 126 | 129 | 134 | 131 | 133 | 136 | 141 | 136 | 138 | 141 | 146 | 142 | 143 | 146 | 151 | 148 | 150 | 152 | 157 |
| | Hi PR | 234 | 235 | 237 | 241 | 271 | 272 | 274 | 278 | 309 | 311 | 312 | 316 | 351 | 352 | 354 | 358 | 396 | 397 | 399 | 403 | 444 | 445 | 446 | 450 |
| | Amps | 9.3 | 9.3 | 9.3 | 9.4 | 10.7 | 10.7 | 10.6 | 10.7 | 12.2 | 12.2 | 12.1 | 12.2 | 13.8 | 13.8 | 13.8 | 13.9 | 15.6 | 15.6 | 15.6 | 15.7 | 17.7 | 17.7 | 17.7 | 17.8 |
| | KW | 2.66 | 2.65 | 2.65 | 2.67 | 2.97 | 2.96 | 2.96 | 2.98 | 3.31 | 3.31 | 3.30 | 3.33 | 3.68 | 3.68 | 3.68 | 3.70 | 4.10 | 4.10 | 4.09 | 4.12 | 4.59 | 4.59 | 4.58 | 4.61 |
| 1400 | kBh | 50.4 | 51.1 | 52.5 | 54.8 | 49.9 | 50.6 | 52.1 | 54.4 | 48.6 | 49.3 | 50.8 | 53.1 | 46.4 | 47.1 | 48.6 | 50.8 | 43.7 | 44.4 | 45.8 | 48.1 | 41.2 | 41.9 | 43.4 | 45.6 |
| | S/T | 0.76 | 0.68 | 0.55 | 0.42 | 0.76 | 0.69 | 0.56 | 0.42 | 0.79 | 0.71 | 0.58 | 0.45 | 1.00 | 0.73 | 0.60 | 0.47 | 1.00 | 0.75 | 0.62 | 0.49 | 1.00 | 0.80 | 0.67 | 0.54 |
| | ΔT | 25 | 23 | 20 | 16 | 25 | 23 | 19 | 15 | 26 | 24 | 20 | 16 | 25 | 23 | 19 | 15 | 25 | 23 | 19 | 15 | 26 | 24 | 20 | 16 |
| | Lo PR | 119 | 121 | 124 | 129 | 126 | 128 | 131 | 136 | 132 | 134 | 137 | 142 | 138 | 139 | 142 | 147 | 143 | 144 | 147 | 152 | 149 | 151 | 154 | 159 |
| | Hi PR | 236 | 237 | 238 | 242 | 272 | 273 | 275 | 279 | 311 | 312 | 314 | 318 | 353 | 354 | 355 | 359 | 397 | 398 | 400 | 404 | 445 | 446 | 448 | 452 |
| | Amps | 9.4 | 9.4 | 9.3 | 9.4 | 10.7 | 10.7 | 10.7 | 10.8 | 12.2 | 12.2 | 12.2 | 12.3 | 13.8 | 13.8 | 13.8 | 13.9 | 15.7 | 15.6 | 15.6 | 15.7 | 17.8 | 17.8 | 17.7 | 17.9 |
| | KW | 2.67 | 2.67 | 2.66 | 2.69 | 2.98 | 2.98 | 2.97 | 2.99 | 3.32 | 3.32 | 3.32 | 3.34 | 3.70 | 3.69 | 3.69 | 3.71 | 4.11 | 4.11 | 4.11 | 4.13 | 4.60 | 4.60 | 4.59 | 4.62 |
| 1540 | kBh | 51.0 | 51.7 | 53.2 | 55.4 | 50.5 | 51.2 | 52.7 | 55.0 | 49.2 | 49.9 | 51.4 | 53.7 | 47.0 | 47.7 | 49.2 | 51.5 | 44.3 | 45.0 | 46.5 | 48.7 | 41.8 | 42.5 | 44.0 | 46.2 |
| | S/T | 0.78 | 0.71 | 0.58 | 0.45 | 0.79 | 0.72 | 0.59 | 0.45 | 1.00 | 0.74 | 0.61 | 0.48 | 1.00 | 0.76 | 0.63 | 0.49 | 1.00 | 0.78 | 0.65 | 0.52 | 1.00 | 0.83 | 0.70 | 0.56 |
| | ΔT | 25 | 22 | 19 | 15 | 24 | 22 | 19 | 15 | 25 | 23 | 19 | 15 | 24 | 22 | 19 | 15 | 24 | 22 | 18 | 14 | 25 | 23 | 20 | 16 |
| | Lo PR | 121 | 122 | 125 | 130 | 128 | 129 | 132 | 137 | 134 | 135 | 138 | 143 | 139 | 141 | 144 | 149 | 144 | 146 | 149 | 154 | 151 | 152 | 155 | 160 |
| | Hi PR | 237 | 238 | 240 | 244 | 274 | 275 | 277 | 281 | 313 | 314 | 315 | 319 | 354 | 355 | 357 | 361 | 399 | 400 | 402 | 406 | 447 | 448 | 449 | 454 |
| | Amps | 9.4 | 9.4 | 9.4 | 9.5 | 10.8 | 10.8 | 10.7 | 10.8 | 12.3 | 12.3 | 12.2 | 12.3 | 13.9 | 13.9 | 13.9 | 14.0 | 15.7 | 15.7 | 15.7 | 15.8 | 17.8 | 17.8 | 17.8 | 17.9 |
| | KW | 2.68 | 2.68 | 2.67 | 2.70 | 2.99 | 2.99 | 2.98 | 3.00 | 3.33 | 3.33 | 3.33 | 3.35 | 3.71 | 3.70 | 3.70 | 3.72 | 4.12 | 4.12 | 4.12 | 4.14 | 4.61 | 4.61 | 4.61 | 4.63 |

IDB = Entering Indoor Dry Bulb Temperature
 High and low pressures are measured at the liquid and suction service valves.
 Shaded area is ACCA (TVA) conditions
 kW = Total system power
 Amps = outdoor unit amps (comp.+fan)

| IDB | AIRFLOW | OUTDOOR AMBIENT TEMPERATURE | | | | | | | | | | | | | | | | | | | | | | | |
|-------|---------|-----------------------------|------|------|------|------|------|------|------|------|------|------|------|------|------|------|------|-------|------|------|------|-------|------|------|------|
| | | 65°F | | | | 75°F | | | | 85°F | | | | 95°F | | | | 105°F | | | | 115°F | | | |
| | | 59 | 63 | 67 | 71 | 59 | 63 | 67 | 71 | 59 | 63 | 67 | 71 | 59 | 63 | 67 | 71 | 59 | 63 | 67 | 71 | 59 | 63 | 67 | 71 |
| 80 | kBh | 50.1 | 50.8 | 52.3 | 54.5 | 49.6 | 50.3 | 51.8 | 54.1 | 48.3 | 49.0 | 50.5 | 52.8 | 46.1 | 46.8 | 48.3 | 50.6 | 43.4 | 44.1 | 45.6 | 47.8 | 40.9 | 41.6 | 43.1 | 45.3 |
| | S/T | 0.83 | 0.76 | 0.63 | 0.49 | 1.00 | 0.77 | 0.64 | 0.50 | 1.00 | 0.79 | 0.66 | 0.52 | 1.00 | 0.81 | 0.68 | 0.54 | 1.00 | 0.83 | 0.70 | 0.56 | 1.00 | 1.00 | 0.75 | 0.61 |
| | ΔT | 31 | 29 | 25 | 21 | 31 | 29 | 25 | 21 | 31 | 29 | 25 | 21 | 31 | 29 | 25 | 21 | 31 | 28 | 25 | 21 | 32 | 30 | 26 | 22 |
| | Lo PR | 118 | 120 | 123 | 128 | 125 | 127 | 130 | 135 | 132 | 133 | 136 | 141 | 137 | 138 | 141 | 146 | 142 | 144 | 147 | 152 | 149 | 150 | 153 | 158 |
| | Hi PR | 234 | 236 | 237 | 241 | 271 | 272 | 274 | 278 | 310 | 311 | 313 | 317 | 351 | 352 | 354 | 358 | 396 | 397 | 399 | 403 | 444 | 445 | 447 | 451 |
| | Amps | 9.3 | 9.3 | 9.3 | 9.4 | 10.7 | 10.7 | 10.6 | 10.7 | 12.2 | 12.2 | 12.1 | 12.2 | 13.8 | 13.8 | 13.8 | 13.9 | 15.6 | 15.6 | 15.6 | 15.7 | 17.7 | 17.7 | 17.7 | 17.8 |
| | KW | 2.66 | 2.66 | 2.65 | 2.67 | 2.97 | 2.96 | 2.96 | 2.98 | 3.31 | 3.31 | 3.30 | 3.33 | 3.69 | 3.68 | 3.68 | 3.70 | 4.10 | 4.10 | 4.09 | 4.12 | 4.59 | 4.59 | 4.58 | 4.61 |
| | kBh | 50.6 | 51.3 | 52.8 | 55.1 | 50.2 | 50.9 | 52.4 | 54.6 | 48.9 | 49.6 | 51.1 | 53.3 | 46.6 | 47.3 | 48.8 | 51.1 | 43.9 | 44.6 | 46.1 | 48.4 | 41.4 | 42.1 | 43.6 | 45.9 |
| | S/T | 0.88 | 0.80 | 0.67 | 0.54 | 1.00 | 0.81 | 0.68 | 0.54 | 1.00 | 0.83 | 0.70 | 0.57 | 1.00 | 0.85 | 0.72 | 0.59 | 1.00 | 0.87 | 0.74 | 0.61 | 1.00 | 1.00 | 0.79 | 0.66 |
| | ΔT | 30 | 28 | 24 | 20 | 30 | 28 | 24 | 20 | 30 | 28 | 24 | 20 | 30 | 28 | 24 | 20 | 30 | 28 | 24 | 20 | 31 | 29 | 25 | 21 |
| Lo PR | 120 | 121 | 124 | 129 | 127 | 128 | 131 | 136 | 133 | 134 | 137 | 142 | 138 | 140 | 143 | 148 | 143 | 145 | 148 | 153 | 150 | 151 | 154 | 159 | |
| Hi PR | 236 | 237 | 239 | 243 | 273 | 274 | 276 | 280 | 311 | 313 | 314 | 318 | 353 | 354 | 356 | 360 | 398 | 399 | 401 | 405 | 446 | 447 | 448 | 452 | |
| Amps | 9.4 | 9.4 | 9.4 | 9.5 | 10.7 | 10.7 | 10.7 | 10.8 | 12.2 | 12.2 | 12.2 | 12.3 | 13.9 | 13.8 | 13.8 | 13.9 | 15.7 | 15.7 | 15.6 | 15.7 | 17.8 | 17.8 | 17.8 | 17.9 | |
| KW | 2.67 | 2.67 | 2.66 | 2.69 | 2.98 | 2.98 | 2.97 | 3.00 | 3.32 | 3.32 | 3.32 | 3.34 | 3.70 | 3.70 | 3.70 | 3.71 | 4.11 | 4.11 | 4.11 | 4.13 | 4.60 | 4.60 | 4.60 | 4.62 | |
| kBh | 51.2 | 51.9 | 53.4 | 55.7 | 50.8 | 51.5 | 53.0 | 55.2 | 49.5 | 50.2 | 51.7 | 53.9 | 47.3 | 48.0 | 49.4 | 51.7 | 44.5 | 45.2 | 46.7 | 49.0 | 42.0 | 42.7 | 44.2 | 46.5 | |
| S/T | 0.90 | 0.83 | 0.70 | 0.57 | 1.00 | 0.84 | 0.71 | 0.57 | 1.00 | 0.86 | 0.73 | 0.60 | 1.00 | 0.88 | 0.75 | 0.61 | 1.00 | 1.00 | 0.77 | 0.63 | 1.00 | 1.00 | 0.82 | 0.68 | |
| ΔT | 29 | 27 | 23 | 19 | 29 | 27 | 23 | 19 | 29 | 27 | 23 | 19 | 29 | 27 | 23 | 19 | 29 | 27 | 23 | 19 | 30 | 28 | 24 | 20 | |
| Lo PR | 121 | 123 | 126 | 131 | 128 | 130 | 133 | 138 | 135 | 136 | 139 | 144 | 140 | 141 | 144 | 149 | 145 | 146 | 149 | 154 | 151 | 153 | 156 | 161 | |
| Hi PR | 238 | 239 | 240 | 244 | 274 | 275 | 277 | 281 | 313 | 314 | 316 | 320 | 355 | 356 | 357 | 361 | 399 | 400 | 402 | 406 | 447 | 448 | 450 | 454 | |
| Amps | 9.4 | 9.4 | 9.4 | 9.5 | 10.8 | 10.8 | 10.7 | 10.8 | 12.3 | 12.3 | 12.2 | 12.3 | 13.9 | 13.9 | 13.9 | 14.0 | 15.7 | 15.7 | 15.7 | 15.8 | 17.8 | 17.8 | 17.8 | 17.9 | |
| KW | 2.68 | 2.68 | 2.67 | 2.70 | 2.99 | 2.99 | 2.98 | 3.01 | 3.34 | 3.33 | 3.33 | 3.35 | 3.71 | 3.71 | 3.71 | 3.72 | 4.13 | 4.12 | 4.12 | 4.14 | 4.61 | 4.61 | 4.61 | 4.63 | |
| 85 | kBh | 50.9 | 51.6 | 53.1 | 55.4 | 50.5 | 51.2 | 52.7 | 54.9 | 49.2 | 49.9 | 51.4 | 53.6 | 46.9 | 47.6 | 49.1 | 51.4 | 44.2 | 44.9 | 46.4 | 48.7 | 41.7 | 42.4 | 43.9 | 46.2 |
| | S/T | 1.00 | 0.86 | 0.73 | 0.59 | 1.00 | 0.86 | 0.73 | 0.60 | 1.00 | 0.89 | 0.76 | 0.62 | 1.00 | 1.00 | 0.78 | 0.64 | 1.00 | 1.00 | 0.80 | 0.66 | 1.00 | 1.00 | 0.85 | 0.71 |
| | ΔT | 35 | 33 | 29 | 25 | 35 | 33 | 29 | 25 | 35 | 33 | 29 | 25 | 35 | 33 | 29 | 25 | 35 | 32 | 29 | 25 | 36 | 34 | 30 | 26 |
| | Lo PR | 120 | 121 | 124 | 129 | 127 | 129 | 132 | 137 | 133 | 135 | 138 | 143 | 139 | 140 | 143 | 148 | 144 | 145 | 148 | 153 | 150 | 152 | 155 | 160 |
| | Hi PR | 236 | 237 | 238 | 242 | 272 | 273 | 275 | 279 | 311 | 312 | 314 | 318 | 353 | 354 | 355 | 359 | 397 | 398 | 400 | 404 | 445 | 446 | 448 | 452 |
| | Amps | 9.4 | 9.3 | 9.3 | 9.4 | 10.7 | 10.7 | 10.7 | 10.8 | 12.2 | 12.2 | 12.2 | 12.3 | 13.8 | 13.8 | 13.8 | 13.9 | 15.6 | 15.6 | 15.6 | 15.7 | 17.8 | 17.7 | 17.7 | 17.8 |
| | KW | 2.66 | 2.66 | 2.66 | 2.68 | 2.97 | 2.97 | 2.97 | 2.99 | 3.32 | 3.32 | 3.31 | 3.33 | 3.69 | 3.69 | 3.68 | 3.71 | 4.11 | 4.11 | 4.10 | 4.12 | 4.60 | 4.59 | 4.59 | 4.61 |
| | kBh | 51.5 | 52.2 | 53.6 | 55.9 | 51.0 | 51.7 | 53.2 | 55.5 | 49.7 | 50.4 | 51.9 | 54.2 | 47.5 | 48.2 | 49.7 | 51.9 | 44.8 | 45.5 | 46.9 | 49.2 | 42.3 | 43.0 | 44.4 | 46.7 |
| | S/T | 1.00 | 0.90 | 0.77 | 0.63 | 1.00 | 0.91 | 0.78 | 0.64 | 1.00 | 1.00 | 0.80 | 0.66 | 1.00 | 1.00 | 0.82 | 0.68 | 1.00 | 1.00 | 0.84 | 0.70 | 1.00 | 1.00 | 0.89 | 0.75 |
| | ΔT | 34 | 32 | 28 | 24 | 34 | 32 | 28 | 24 | 34 | 32 | 28 | 24 | 34 | 32 | 28 | 24 | 34 | 32 | 28 | 24 | 35 | 33 | 29 | 25 |
| Lo PR | 121 | 123 | 126 | 131 | 129 | 130 | 133 | 138 | 135 | 136 | 139 | 144 | 140 | 141 | 144 | 149 | 145 | 147 | 150 | 155 | 152 | 153 | 156 | 161 | |
| Hi PR | 237 | 238 | 240 | 244 | 274 | 275 | 277 | 281 | 313 | 314 | 315 | 319 | 354 | 355 | 357 | 361 | 399 | 400 | 402 | 406 | 447 | 448 | 449 | 453 | |
| Amps | 9.4 | 9.4 | 9.4 | 9.5 | 10.8 | 10.7 | 10.7 | 10.8 | 12.3 | 12.2 | 12.2 | 12.3 | 13.9 | 13.9 | 13.8 | 13.9 | 15.7 | 15.7 | 15.7 | 15.8 | 17.8 | 17.8 | 17.8 | 17.9 | |
| KW | 2.68 | 2.67 | 2.67 | 2.69 | 2.98 | 2.98 | 2.98 | 3.00 | 3.33 | 3.33 | 3.32 | 3.35 | 3.70 | 3.70 | 3.70 | 3.72 | 4.12 | 4.12 | 4.11 | 4.14 | 4.61 | 4.61 | 4.60 | 4.63 | |
| kBh | 52.1 | 52.8 | 54.3 | 56.5 | 51.6 | 52.3 | 53.8 | 56.1 | 50.3 | 51.0 | 52.5 | 54.8 | 48.1 | 48.8 | 50.3 | 52.5 | 45.4 | 46.1 | 47.6 | 49.8 | 42.9 | 43.6 | 45.1 | 47.3 | |
| S/T | 1.00 | 0.93 | 0.80 | 0.66 | 1.00 | 0.93 | 0.80 | 0.67 | 1.00 | 1.00 | 0.83 | 0.69 | 1.00 | 1.00 | 0.85 | 0.71 | 1.00 | 1.00 | 0.87 | 0.73 | 1.00 | 1.00 | 0.92 | 0.78 | |
| ΔT | 33 | 31 | 27 | 23 | 33 | 31 | 27 | 23 | 33 | 31 | 27 | 23 | 33 | 31 | 27 | 23 | 33 | 31 | 27 | 23 | 34 | 32 | 28 | 24 | |
| Lo PR | 123 | 124 | 127 | 132 | 130 | 131 | 134 | 139 | 136 | 138 | 141 | 146 | 142 | 143 | 146 | 151 | 147 | 148 | 151 | 156 | 153 | 155 | 158 | 163 | |
| Hi PR | 239 | 240 | 241 | 245 | 276 | 277 | 278 | 282 | 314 | 315 | 317 | 321 | 356 | 357 | 358 | 362 | 400 | 402 | 403 | 407 | 448 | 449 | 451 | 455 | |
| Amps | 9.5 | 9.4 | 9.4 | 9.5 | 10.8 | 10.8 | 10.8 | 10.9 | 12.3 | 12.3 | 12.3 | 12.4 | 13.9 | 13.9 | 13.9 | 14.0 | 15.7 | 15.7 | 15.7 | 15.8 | 17.9 | 17.9 | 17.8 | 17.9 | |
| KW | 2.69 | 2.69 | 2.68 | 2.70 | 3.00 | 2.99 | 2.99 | 3.01 | 3.34 | 3.34 | 3.33 | 3.36 | 3.71 | 3.71 | 3.71 | 3.73 | 4.13 | 4.13 | 4.12 | 4.15 | 4.62 | 4.62 | 4.61 | 4.64 | |

IDB = Entering Indoor Dry Bulb Temperature
 High and low pressures are measured at the liquid and suction service valves.
 Shaded area is AHRI (TVS) conditions
 kW = Total system power
 Amps = outdoor unit amps (comp.+fan)

| IDB | AIRFLOW | OUTDOOR AMBIENT TEMPERATURE | | | | | | | | | | | | | | | | | | | | | | | | | | | | | | | | | | | |
|-------|---------|-----------------------------|------|------|------|------|------|------|------|------|------|------|------|------|------|------|------|------|------|------|------|------|------|------|------|-------|------|------|------|------|------|-------|------|---|--|--|--|
| | | 65°F | | | | | | 75°F | | | | | | 85°F | | | | | | 95°F | | | | | | 105°F | | | | | | 115°F | | | | | |
| | | 59 | 63 | 67 | 71 | 59 | 63 | 67 | 71 | 59 | 63 | 67 | 71 | 59 | 63 | 67 | 71 | 59 | 63 | 67 | 71 | 59 | 63 | 67 | 71 | 59 | 63 | 67 | 71 | 59 | 63 | 67 | 71 | | | | |
| 70 | 1150 | MBh | 41.4 | 42.0 | 43.3 | - | 41.1 | 41.7 | 42.9 | - | 40.0 | 40.6 | 41.8 | - | 38.1 | 38.7 | 40.0 | - | 35.9 | 36.5 | 37.7 | - | 33.8 | 34.4 | 35.6 | - | 33.8 | 34.4 | 35.6 | - | 33.8 | 34.4 | 35.6 | - | | | |
| | | S/T | 0.60 | 0.52 | 0.40 | - | 0.60 | 0.53 | 0.40 | - | 0.63 | 0.55 | 0.43 | - | 0.64 | 0.57 | 0.44 | - | 0.66 | 0.59 | 0.46 | - | 1.00 | 0.64 | 0.51 | - | 1.00 | 0.64 | 0.51 | - | 1.00 | 0.64 | 0.51 | - | | | |
| | | ΔT | 22 | 20 | 16 | - | 22 | 20 | 16 | - | 22 | 20 | 16 | - | 22 | 20 | 16 | - | 22 | 20 | 16 | - | 23 | 21 | 17 | - | 23 | 21 | 17 | - | 23 | 21 | 17 | - | | | |
| | | Lo PR | 116 | 118 | 121 | - | 123 | 125 | 128 | - | 130 | 131 | 134 | - | 135 | 136 | 139 | - | 140 | 141 | 144 | - | 146 | 148 | 151 | - | 146 | 148 | 151 | - | 146 | 148 | 151 | - | | | |
| | | Hi PR | 232 | 233 | 234 | - | 268 | 269 | 271 | - | 306 | 307 | 309 | - | 347 | 348 | 350 | - | 392 | 393 | 394 | - | 439 | 440 | 442 | - | 439 | 440 | 442 | - | 439 | 440 | 442 | - | | | |
| | Amps | 7.2 | 7.2 | 7.2 | - | 8.3 | 8.3 | 8.3 | - | 9.5 | 9.5 | 9.5 | - | 10.8 | 10.8 | 10.7 | - | 12.2 | 12.2 | 12.2 | - | 13.9 | 13.9 | 13.8 | - | 13.9 | 13.9 | 13.8 | - | 13.9 | 13.9 | 13.8 | - | | | | |
| | KW | 2.01 | 2.00 | 2.00 | - | 2.25 | 2.25 | 2.24 | - | 2.52 | 2.52 | 2.51 | - | 2.82 | 2.81 | 2.81 | - | 3.14 | 3.14 | 3.14 | - | 3.53 | 3.53 | 3.52 | - | 3.53 | 3.53 | 3.52 | - | 3.53 | 3.53 | 3.52 | - | | | | |
| | 1250 | MBh | 41.8 | 42.4 | 43.6 | - | 41.4 | 42.0 | 43.2 | - | 40.4 | 40.9 | 42.2 | - | 38.5 | 39.1 | 40.3 | - | 36.2 | 36.8 | 38.1 | - | 34.2 | 34.7 | 36.0 | - | 34.2 | 34.7 | 36.0 | - | 34.2 | 34.7 | 36.0 | - | | | |
| | | S/T | 0.63 | 0.56 | 0.43 | - | 0.63 | 0.56 | 0.43 | - | 0.66 | 0.59 | 0.46 | - | 0.68 | 0.60 | 0.48 | - | 0.70 | 0.63 | 0.50 | - | 1.00 | 0.67 | 0.55 | - | 1.00 | 0.67 | 0.55 | - | 1.00 | 0.67 | 0.55 | - | | | |
| | | ΔT | 21 | 19 | 15 | - | 21 | 19 | 15 | - | 21 | 19 | 15 | - | 21 | 19 | 15 | - | 21 | 19 | 15 | - | 22 | 20 | 16 | - | 22 | 20 | 16 | - | 22 | 20 | 16 | - | | | |
| Lo PR | | 117 | 119 | 122 | - | 124 | 126 | 129 | - | 131 | 132 | 135 | - | 136 | 137 | 140 | - | 141 | 142 | 145 | - | 147 | 149 | 152 | - | 147 | 149 | 152 | - | 147 | 149 | 152 | - | | | | |
| Hi PR | | 233 | 234 | 235 | - | 269 | 270 | 272 | - | 307 | 308 | 310 | - | 349 | 350 | 351 | - | 393 | 394 | 395 | - | 440 | 441 | 443 | - | 440 | 441 | 443 | - | 440 | 441 | 443 | - | | | | |
| Amps | 7.3 | 7.3 | 7.2 | - | 8.3 | 8.3 | 8.3 | - | 9.5 | 9.5 | 9.5 | - | 10.8 | 10.8 | 10.8 | - | 12.2 | 12.2 | 12.2 | - | 13.9 | 13.9 | 13.9 | - | 13.9 | 13.9 | 13.9 | - | 13.9 | 13.9 | 13.9 | - | | | | | |
| KW | 2.01 | 2.01 | 2.01 | - | 2.26 | 2.25 | 2.25 | - | 2.53 | 2.53 | 2.52 | - | 2.82 | 2.82 | 2.82 | - | 3.15 | 3.15 | 3.15 | - | 3.54 | 3.54 | 3.53 | - | 3.54 | 3.54 | 3.53 | - | 3.54 | 3.54 | 3.53 | - | | | | | |
| 1400 | MBh | 42.4 | 43.0 | 44.2 | - | 42.1 | 42.6 | 43.9 | - | 41.0 | 41.6 | 42.8 | - | 39.1 | 39.7 | 40.9 | - | 36.9 | 37.4 | 38.7 | - | 34.8 | 35.4 | 36.6 | - | 34.8 | 35.4 | 36.6 | - | 34.8 | 35.4 | 36.6 | - | | | | |
| | S/T | 0.66 | 0.59 | 0.46 | - | 0.67 | 0.59 | 0.47 | - | 0.69 | 0.62 | 0.49 | - | 0.71 | 0.64 | 0.51 | - | 0.73 | 0.66 | 0.53 | - | 1.00 | 0.71 | 0.58 | - | 1.00 | 0.71 | 0.58 | - | 1.00 | 0.71 | 0.58 | - | | | | |
| | ΔT | 20 | 18 | 14 | - | 20 | 18 | 14 | - | 20 | 18 | 14 | - | 20 | 18 | 14 | - | 20 | 18 | 14 | - | 21 | 19 | 15 | - | 21 | 19 | 15 | - | 21 | 19 | 15 | - | | | | |
| | Lo PR | 119 | 121 | 124 | - | 126 | 128 | 131 | - | 132 | 134 | 137 | - | 138 | 139 | 142 | - | 143 | 144 | 147 | - | 149 | 151 | 154 | - | 149 | 151 | 154 | - | 149 | 151 | 154 | - | | | | |
| | Hi PR | 235 | 236 | 237 | - | 271 | 272 | 274 | - | 309 | 310 | 312 | - | 350 | 351 | 353 | - | 395 | 396 | 397 | - | 442 | 443 | 445 | - | 442 | 443 | 445 | - | 442 | 443 | 445 | - | | | | |
| Amps | 7.3 | 7.3 | 7.3 | - | 8.4 | 8.4 | 8.4 | - | 9.6 | 9.6 | 9.5 | - | 10.8 | 10.8 | 10.8 | - | 12.3 | 12.3 | 12.2 | - | 14.0 | 13.9 | 13.9 | - | 14.0 | 13.9 | 13.9 | - | 14.0 | 13.9 | 13.9 | - | | | | | |
| KW | 2.02 | 2.02 | 2.02 | - | 2.27 | 2.26 | 2.26 | - | 2.54 | 2.54 | 2.53 | - | 2.83 | 2.83 | 2.83 | - | 3.16 | 3.16 | 3.16 | - | 3.55 | 3.55 | 3.54 | - | 3.55 | 3.55 | 3.54 | - | 3.55 | 3.55 | 3.54 | - | | | | | |

| IDB | AIRFLOW | OUTDOOR AMBIENT TEMPERATURE | | | | | | | | | | | | | | | | | | | | | | | | | | | | | | | | | | | |
|-------|---------|-----------------------------|------|------|------|------|------|------|------|------|------|------|------|-------------|------------|-------------|------|------|------|------|------|------|------|------|------|-------|------|------|------|------|------|-------|------|------|--|--|--|
| | | 65°F | | | | | | 75°F | | | | | | 85°F | | | | | | 95°F | | | | | | 105°F | | | | | | 115°F | | | | | |
| | | 59 | 63 | 67 | 71 | 59 | 63 | 67 | 71 | 59 | 63 | 67 | 71 | 59 | 63 | 67 | 71 | 59 | 63 | 67 | 71 | 59 | 63 | 67 | 71 | 59 | 63 | 67 | 71 | 59 | 63 | 67 | 71 | | | | |
| 75 | 1150 | MBh | 41.5 | 42.0 | 43.3 | 45.2 | 41.1 | 41.7 | 42.9 | 44.8 | 40.0 | 40.6 | 41.8 | 43.7 | 38.2 | 38.7 | 40.0 | 41.9 | 35.9 | 36.5 | 37.7 | 39.6 | 33.8 | 34.4 | 35.6 | 37.5 | 33.8 | 34.4 | 35.6 | 37.5 | 33.8 | 34.4 | 35.6 | 37.5 | | | |
| | | S/T | 0.72 | 0.65 | 0.52 | 0.38 | 0.72 | 0.65 | 0.52 | 0.39 | 0.75 | 0.68 | 0.55 | 0.41 | 1.00 | 0.69 | 0.57 | 0.43 | 1.00 | 0.71 | 0.59 | 0.45 | 1.00 | 0.76 | 0.64 | 0.50 | 1.00 | 0.76 | 0.64 | 0.50 | 1.00 | 0.76 | 0.64 | 0.50 | | | |
| | | ΔT | 27 | 24 | 21 | 17 | 26 | 24 | 21 | 16 | 27 | 25 | 21 | 17 | 26 | 24 | 20 | 16 | 26 | 24 | 20 | 16 | 27 | 25 | 22 | 17 | 27 | 25 | 22 | 17 | 27 | 25 | 22 | 17 | | | |
| | | Lo PR | 116 | 118 | 121 | 126 | 123 | 125 | 128 | 133 | 130 | 131 | 134 | 139 | 135 | 136 | 139 | 144 | 140 | 141 | 144 | 149 | 146 | 148 | 151 | 156 | 146 | 148 | 151 | 156 | 146 | 148 | 151 | 156 | | | |
| | | Hi PR | 232 | 233 | 234 | 238 | 268 | 269 | 271 | 275 | 306 | 307 | 309 | 313 | 348 | 349 | 350 | 354 | 392 | 393 | 394 | 398 | 439 | 440 | 442 | 446 | 439 | 440 | 442 | 446 | 439 | 440 | 442 | 446 | | | |
| | Amps | 7.2 | 7.2 | 7.2 | 7.3 | 8.3 | 8.3 | 8.3 | 8.3 | 9.5 | 9.5 | 9.4 | 9.5 | 10.8 | 10.7 | 10.7 | 10.8 | 12.2 | 12.2 | 12.2 | 12.2 | 13.9 | 13.9 | 13.8 | 13.9 | 13.9 | 13.9 | 13.8 | 13.9 | 13.9 | 13.9 | 13.8 | 13.9 | | | | |
| | KW | 2.00 | 2.00 | 2.00 | 2.02 | 2.25 | 2.25 | 2.24 | 2.26 | 2.52 | 2.52 | 2.51 | 2.53 | 2.81 | 2.81 | 2.81 | 2.83 | 3.14 | 3.14 | 3.14 | 3.16 | 3.53 | 3.53 | 3.52 | 3.54 | 3.53 | 3.53 | 3.52 | 3.54 | 3.53 | 3.53 | 3.52 | 3.54 | | | | |
| | 1250 | MBh | 41.8 | 42.4 | 43.6 | 45.5 | 41.5 | 42.0 | 43.3 | 45.2 | 40.4 | 41.0 | 42.2 | 44.1 | 38.5 | 39.1 | 40.3 | 42.2 | 36.3 | 36.8 | 38.1 | 40.0 | 34.2 | 34.8 | 36.0 | 37.9 | 34.2 | 34.8 | 36.0 | 37.9 | 34.2 | 34.8 | 36.0 | 37.9 | | | |
| | | S/T | 0.75 | 0.68 | 0.55 | 0.42 | 0.76 | 0.68 | 0.56 | 0.42 | 0.78 | 0.71 | 0.58 | 0.45 | 1.00 | 0.73 | 0.60 | 0.46 | 1.00 | 0.75 | 0.62 | 0.48 | 1.00 | 0.80 | 0.67 | 0.53 | 1.00 | 0.80 | 0.67 | 0.53 | 1.00 | 0.80 | 0.67 | 0.53 | | | |
| | | ΔT | 26 | 24 | 20 | 16 | 26 | 24 | 20 | 16 | 26 | 24 | 20 | 16 | 26 | 24 | 20 | 16 | 25 | 23 | 19 | 15 | 27 | 25 | 21 | 17 | 27 | 25 | 21 | 17 | 27 | 25 | 21 | 17 | | | |
| Lo PR | | 117 | 119 | 122 | 127 | 124 | 126 | 129 | 134 | 131 | 132 | 135 | 140 | 136 | 137 | 140 | 145 | 141 | 142 | 145 | 150 | 147 | 149 | 152 | 157 | 147 | 149 | 152 | 157 | 147 | 149 | 152 | 157 | | | | |
| Hi PR | | 233 | 234 | 236 | 240 | 269 | 270 | 272 | 276 | 308 | 309 | 310 | 314 | 349 | 350 | 351 | 355 | 393 | 394 | 396 | 400 | 440 | 441 | 443 | 447 | 440 | 441 | 443 | 447 | 440 | 441 | 443 | 447 | | | | |
| Amps | 7.3 | 7.3 | 7.2 | 7.3 | 8.3 | 8.3 | 8.3 | 8.4 | 9.5 | 9.5 | 9.5 | 9.6 | 10.8 | 10.8 | 10.8 | 10.8 | 12.2 | 12.2 | 12.2 | 12.2 | 13.9 | 13.9 | 13.9 | 14.0 | 13.9 | 13.9 | 13.9 | 14.0 | 13.9 | 13.9 | 13.9 | 14.0 | | | | | |
| KW | 2.01 | 2.01 | 2.01 | 2.02 | 2.26 | 2.25 | 2.25 | 2.27 | 2.53 | 2.53 | 2.52 | 2.54 | 2.82 | 2.82 | 2.82 | 2.83 | 3.15 | 3.15 | 3.15 | 3.16 | 3.54 | 3.53 | 3.53 | 3.55 | 3.54 | 3.53 | 3.53 | 3.55 | 3.54 | 3.53 | 3.53 | 3.55 | | | | | |
| 1400 | MBh | 42.4 | 43.0 | 44.3 | 46.1 | 42.1 | 42.7 | 43.9 | 45.8 | 41.0 | 41.6 | 42.8 | 44.7 | 39.1 | 39.7 | 41.0 | 42.8 | 36.9 | 37.5 | 38.7 | 40.6 | 34.8 | 35.4 | 36.6 | 38.5 | 34.8 | 35.4 | 36.6 | 38.5 | 34.8 | 35.4 | 36.6 | 38.5 | | | | |
| | S/T | 0.78 | 0.71 | 0.58 | 0.45 | 0.79 | 0.72 | 0.59 | 0.45 | 0.81 | 0.74 | 0.61 | 0.48 | 1.00 | 0.76 | 0.63 | 0.49 | 1.00 | 0.78 | 0.65 | 0.52 | 1.00 | 0.83 | 0.70 | 0.56 | 1.00 | 0.83 | 0.70 | 0.56 | 1.00 | 0.83 | 0.70 | 0.56 | | | | |
| | ΔT | 25 | 23 | 19 | 15 | 25 | 23 | 19 | 15 | 25 | 23 | 19 | 15 | 25 | 23 | 19 | 15 | 24 | 22 | 18 | 14 | 26 | 24 | 20 | 16 | 26 | 24 | 20 | 16 | 26 | 24 | 20 | 16 | | | | |
| | Lo PR | 119 | 121 | 124 | 129 | 126 | 128 | 131 | 136 | 132 | 134 | 137 | 142 | 138 | 139 | 142 | 147 | 143 | 144 | 147 | 152 | 149 | 151 | 154 | 159 | 149 | 151 | 154 | 159 | 149 | 151 | 154 | 159 | | | | |
| | Hi PR | 235 | 236 | 237 | 242 | 271 | 272 | 274 | 278 | 309 | 310 | 312 | 316 | 351 | 352 | 353 | 357 | 395 | 396 | 398 | 402 | 442 | 443 | 445 | 449 | 442 | 443 | 445 | 449 | 442 | 443 | 445 | 449 | | | | |
| Amps | 7.3 | 7.3 | 7.3 | 7.4 | 8.4 | 8.4 | 8.3 | 8.4 | 9.6 | 9.5 | 9.5 | 9.6 | 10.8 | 10.8 | 10.8 | 10.9 | 12.3 | 12.3 | 12.2 | 12.3 | 13.9 | 13.9 | 13.9 | 14.0 | 13.9 | 13.9 | 13.9 | 14.0 | 13.9 | 13.9 | 13.9 | 14.0 | | | | | |
| KW | 2.02 | 2.02 | | | | | | | | | | | | | | | | | | | | | | | | | | | | | | | | | | | |

EXPANDED COOLING DATA – GSXC180601B*+CA*F4961*6D*+EEP+TXV LOW STAGE (CONT.)

| IDB | AIRFLOW | OUTDOOR AMBIENT TEMPERATURE | | | | | | | | | | | | | | | | | | | | | | | | |
|-------|---------|-----------------------------|------|------|------|------|------|------|------|------|------|------|------|------|------|------|------|-------|------|------|------|-------|------|------|------|------|
| | | 65°F | | | | 75°F | | | | 85°F | | | | 95°F | | | | 105°F | | | | 115°F | | | | |
| | | 59 | 63 | 67 | 71 | 59 | 63 | 67 | 71 | 59 | 63 | 67 | 71 | 59 | 63 | 67 | 71 | 59 | 63 | 67 | 71 | 59 | 63 | 67 | 71 | |
| 80 | 1150 | MBh | 41.7 | 42.3 | 43.5 | 45.4 | 41.3 | 41.9 | 43.1 | 45.0 | 40.2 | 40.8 | 42.0 | 43.9 | 38.4 | 39.0 | 40.2 | 42.1 | 36.1 | 36.7 | 37.9 | 39.8 | 34.0 | 34.6 | 35.9 | 37.7 |
| | | S/T | 0.84 | 0.76 | 0.64 | 0.50 | 1.00 | 0.77 | 0.64 | 0.51 | 1.00 | 0.79 | 0.67 | 0.53 | 1.00 | 0.81 | 0.68 | 0.55 | 1.00 | 0.83 | 0.70 | 0.57 | 1.00 | 1.00 | 0.75 | 0.62 |
| | ΔT | 31 | 29 | 25 | 21 | 31 | 29 | 25 | 21 | 31 | 29 | 25 | 21 | 31 | 29 | 25 | 21 | 31 | 29 | 25 | 21 | 32 | 30 | 26 | 22 | |
| | Lo PR | 117 | 118 | 121 | 126 | 124 | 125 | 128 | 133 | 130 | 132 | 134 | 139 | 135 | 137 | 140 | 145 | 140 | 142 | 145 | 150 | 147 | 148 | 151 | 156 | |
| | Hi PR | 232 | 233 | 235 | 239 | 269 | 270 | 271 | 275 | 307 | 308 | 309 | 313 | 348 | 349 | 351 | 355 | 392 | 393 | 395 | 399 | 440 | 441 | 442 | 446 | |
| | Amps | 7.2 | 7.2 | 7.2 | 7.3 | 8.3 | 8.3 | 8.3 | 8.4 | 9.5 | 9.5 | 9.5 | 9.5 | 10.8 | 10.8 | 10.7 | 10.8 | 12.2 | 12.2 | 12.2 | 12.2 | 13.9 | 13.9 | 13.8 | 13.9 | |
| | KW | 2.00 | 2.00 | 2.00 | 2.02 | 2.25 | 2.25 | 2.24 | 2.26 | 2.52 | 2.52 | 2.51 | 2.53 | 2.82 | 2.81 | 2.81 | 2.83 | 3.14 | 3.14 | 3.14 | 3.16 | 3.53 | 3.53 | 3.52 | 3.54 | |
| | 1250 | MBh | 42.0 | 42.6 | 43.9 | 45.7 | 41.7 | 42.3 | 43.5 | 45.4 | 40.6 | 41.2 | 42.4 | 44.3 | 38.7 | 39.3 | 40.6 | 42.4 | 36.5 | 37.1 | 38.3 | 40.2 | 34.4 | 35.0 | 36.2 | 38.1 |
| | | S/T | 0.87 | 0.80 | 0.67 | 0.53 | 1.00 | 0.80 | 0.68 | 0.54 | 1.00 | 0.83 | 0.70 | 0.56 | 1.00 | 0.85 | 0.72 | 0.58 | 1.00 | 0.87 | 0.74 | 0.60 | 1.00 | 1.00 | 0.79 | 0.65 |
| | ΔT | 30 | 28 | 24 | 20 | 30 | 28 | 24 | 20 | 31 | 28 | 25 | 21 | 30 | 28 | 24 | 20 | 30 | 28 | 24 | 20 | 31 | 29 | 25 | 21 | |
| Lo PR | 118 | 119 | 122 | 127 | 125 | 126 | 129 | 134 | 131 | 133 | 136 | 140 | 136 | 138 | 141 | 146 | 142 | 143 | 146 | 151 | 148 | 149 | 152 | 157 | | |
| Hi PR | 233 | 234 | 236 | 240 | 270 | 271 | 273 | 277 | 308 | 309 | 311 | 315 | 349 | 350 | 352 | 356 | 393 | 394 | 396 | 400 | 441 | 442 | 443 | 447 | | |
| Amps | 7.3 | 7.3 | 7.2 | 7.3 | 8.3 | 8.3 | 8.3 | 8.4 | 9.5 | 9.5 | 9.5 | 9.6 | 10.8 | 10.8 | 10.8 | 10.9 | 12.2 | 12.2 | 12.2 | 12.3 | 13.9 | 13.9 | 13.9 | 14.0 | | |
| KW | 2.01 | 2.01 | 2.01 | 2.03 | 2.26 | 2.25 | 2.25 | 2.27 | 2.53 | 2.53 | 2.52 | 2.54 | 2.82 | 2.82 | 2.82 | 2.84 | 3.15 | 3.15 | 3.15 | 3.16 | 3.54 | 3.54 | 3.53 | 3.55 | | |
| 1400 | MBh | 42.7 | 43.2 | 44.5 | 46.4 | 42.3 | 42.9 | 44.1 | 46.0 | 41.2 | 41.8 | 43.0 | 44.9 | 39.4 | 39.9 | 41.2 | 43.1 | 37.1 | 37.7 | 38.9 | 40.8 | 35.0 | 35.6 | 36.8 | 38.7 | |
| | S/T | 0.90 | 0.83 | 0.70 | 0.57 | 1.00 | 0.83 | 0.71 | 0.57 | 1.00 | 0.86 | 0.73 | 0.59 | 1.00 | 0.88 | 0.75 | 0.61 | 1.00 | 0.90 | 0.77 | 0.63 | 1.00 | 1.00 | 0.82 | 0.68 | |
| ΔT | 29 | 27 | 23 | 19 | 29 | 27 | 23 | 19 | 30 | 27 | 24 | 20 | 29 | 27 | 23 | 19 | 29 | 27 | 23 | 19 | 30 | 28 | 24 | 20 | | |
| Lo PR | 120 | 121 | 124 | 129 | 127 | 128 | 131 | 136 | 133 | 134 | 137 | 142 | 138 | 140 | 143 | 148 | 143 | 145 | 148 | 153 | 150 | 151 | 154 | 159 | | |
| Hi PR | 235 | 236 | 238 | 242 | 272 | 273 | 274 | 278 | 310 | 311 | 313 | 317 | 351 | 352 | 354 | 358 | 395 | 396 | 398 | 402 | 443 | 444 | 445 | 449 | | |
| Amps | 7.3 | 7.3 | 7.3 | 7.4 | 8.4 | 8.4 | 8.4 | 8.4 | 9.6 | 9.6 | 9.5 | 9.6 | 10.8 | 10.8 | 10.8 | 10.9 | 12.3 | 12.3 | 12.2 | 12.3 | 13.9 | 13.9 | 13.9 | 14.0 | | |
| KW | 2.02 | 2.02 | 2.02 | 2.04 | 2.27 | 2.26 | 2.26 | 2.28 | 2.54 | 2.54 | 2.53 | 2.55 | 2.83 | 2.83 | 2.83 | 2.85 | 3.16 | 3.16 | 3.16 | 3.17 | 3.55 | 3.55 | 3.54 | 3.56 | | |
| 85 | 1150 | MBh | 42.4 | 43.0 | 44.2 | 46.1 | 42.0 | 42.6 | 43.8 | 45.7 | 40.9 | 41.5 | 42.7 | 44.6 | 39.1 | 39.7 | 40.9 | 42.8 | 36.8 | 37.4 | 38.6 | 40.5 | 34.7 | 35.3 | 36.6 | 38.4 |
| | | S/T | 1.00 | 0.86 | 0.73 | 0.60 | 1.00 | 0.87 | 0.74 | 0.60 | 1.00 | 0.89 | 0.76 | 0.63 | 1.00 | 1.00 | 0.78 | 0.64 | 1.00 | 1.00 | 0.80 | 0.67 | 1.00 | 1.00 | 0.85 | 0.71 |
| | ΔT | 35 | 33 | 29 | 25 | 35 | 33 | 29 | 25 | 35 | 33 | 29 | 25 | 35 | 33 | 29 | 25 | 35 | 33 | 29 | 25 | 36 | 34 | 30 | 26 | |
| | Lo PR | 119 | 120 | 123 | 128 | 126 | 127 | 130 | 135 | 132 | 133 | 136 | 141 | 137 | 138 | 141 | 146 | 142 | 144 | 147 | 151 | 149 | 150 | 153 | 158 | |
| | Hi PR | 233 | 234 | 236 | 240 | 270 | 271 | 272 | 276 | 308 | 309 | 311 | 315 | 349 | 350 | 352 | 356 | 393 | 394 | 396 | 400 | 441 | 442 | 443 | 447 | |
| | Amps | 7.3 | 7.3 | 7.2 | 7.3 | 8.3 | 8.3 | 8.3 | 8.4 | 9.5 | 9.5 | 9.5 | 9.6 | 10.8 | 10.8 | 10.8 | 10.8 | 12.2 | 12.2 | 12.2 | 12.3 | 13.9 | 13.9 | 13.9 | 13.9 | |
| | KW | 2.01 | 2.01 | 2.00 | 2.02 | 2.25 | 2.25 | 2.25 | 2.27 | 2.53 | 2.52 | 2.52 | 2.54 | 2.82 | 2.82 | 2.81 | 2.83 | 3.15 | 3.15 | 3.14 | 3.16 | 3.53 | 3.53 | 3.53 | 3.55 | |
| | 1250 | MBh | 42.7 | 43.3 | 44.5 | 46.4 | 42.4 | 42.9 | 44.2 | 46.1 | 41.3 | 41.9 | 43.1 | 45.0 | 39.4 | 40.0 | 41.2 | 43.1 | 37.2 | 37.8 | 39.0 | 40.9 | 35.1 | 35.7 | 36.9 | 38.8 |
| | | S/T | 1.00 | 0.89 | 0.76 | 0.63 | 1.00 | 0.90 | 0.77 | 0.64 | 1.00 | 0.92 | 0.79 | 0.66 | 1.00 | 1.00 | 0.81 | 0.68 | 1.00 | 1.00 | 0.83 | 0.70 | 1.00 | 1.00 | 0.88 | 0.75 |
| | ΔT | 34 | 32 | 28 | 24 | 34 | 32 | 28 | 24 | 35 | 33 | 29 | 25 | 34 | 32 | 28 | 24 | 34 | 32 | 28 | 24 | 35 | 33 | 29 | 25 | |
| Lo PR | 120 | 121 | 124 | 129 | 127 | 128 | 131 | 136 | 133 | 134 | 137 | 142 | 138 | 140 | 143 | 147 | 143 | 145 | 148 | 153 | 150 | 151 | 154 | 159 | | |
| Hi PR | 235 | 236 | 237 | 241 | 271 | 272 | 274 | 278 | 309 | 310 | 312 | 316 | 350 | 351 | 353 | 357 | 395 | 396 | 397 | 401 | 442 | 443 | 444 | 449 | | |
| Amps | 7.3 | 7.3 | 7.3 | 7.3 | 8.4 | 8.3 | 8.3 | 8.4 | 9.5 | 9.5 | 9.5 | 9.6 | 10.8 | 10.8 | 10.8 | 10.9 | 12.2 | 12.2 | 12.2 | 12.3 | 13.9 | 13.9 | 13.9 | 14.0 | | |
| KW | 2.02 | 2.02 | 2.01 | 2.03 | 2.26 | 2.26 | 2.25 | 2.27 | 2.53 | 2.53 | 2.53 | 2.55 | 2.83 | 2.83 | 2.82 | 2.84 | 3.16 | 3.15 | 3.15 | 3.17 | 3.54 | 3.54 | 3.54 | 3.56 | | |
| 1400 | MBh | 43.4 | 43.9 | 45.2 | 47.1 | 43.0 | 43.6 | 44.8 | 46.7 | 41.9 | 42.5 | 43.7 | 45.6 | 40.1 | 40.6 | 41.9 | 43.8 | 37.8 | 38.4 | 39.6 | 41.5 | 35.7 | 36.3 | 37.5 | 39.4 | |
| | S/T | 1.00 | 0.92 | 0.80 | 0.66 | 1.00 | 0.93 | 0.80 | 0.67 | 1.00 | 1.00 | 0.83 | 0.69 | 1.00 | 1.00 | 0.84 | 0.71 | 1.00 | 1.00 | 0.86 | 0.73 | 1.00 | 1.00 | 0.91 | 0.78 | |
| ΔT | 33 | 31 | 27 | 23 | 33 | 31 | 27 | 23 | 34 | 32 | 28 | 24 | 33 | 31 | 27 | 23 | 33 | 31 | 27 | 23 | 34 | 32 | 28 | 24 | | |
| Lo PR | 122 | 123 | 126 | 131 | 129 | 130 | 133 | 138 | 135 | 136 | 139 | 144 | 140 | 141 | 144 | 149 | 145 | 146 | 149 | 154 | 151 | 153 | 156 | 161 | | |
| Hi PR | 236 | 237 | 239 | 243 | 273 | 274 | 275 | 279 | 311 | 312 | 314 | 318 | 352 | 353 | 355 | 359 | 396 | 397 | 399 | 403 | 444 | 445 | 446 | 450 | | |
| Amps | 7.3 | 7.3 | 7.3 | 7.4 | 8.4 | 8.4 | 8.4 | 8.5 | 9.6 | 9.6 | 9.6 | 9.6 | 10.9 | 10.9 | 10.8 | 10.9 | 12.3 | 12.3 | 12.3 | 12.3 | 14.0 | 14.0 | 13.9 | 14.0 | | |
| KW | 2.03 | 2.03 | 2.02 | 2.04 | 2.27 | 2.27 | 2.27 | 2.28 | 2.54 | 2.54 | 2.54 | 2.56 | 2.84 | 2.84 | 2.83 | 2.85 | 3.17 | 3.16 | 3.16 | 3.18 | 3.55 | 3.55 | 3.55 | 3.57 | | |

IDB = Entering Indoor Dry Bulb Temperature
 High and low pressures are measured at the liquid and suction service valves.
 Shaded area reflects AHRI (TVA) conditions
 kW = Total system power
 Amps = outdoor unit amps (comp.+fan)

| IDB | AIRFLOW | OUTDOOR AMBIENT TEMPERATURE | | | | | | | | | | | | | | | | | | | | | | | | | | | | | | | | | | | |
|-------|---------|-----------------------------|------|------|------|------|------|------|------|------|------|------|------|------|------|------|------|------|------|------|------|------|------|------|------|-------|------|------|------|---|--|-------|--|--|--|--|--|
| | | 65°F | | | | | | 75°F | | | | | | 85°F | | | | | | 95°F | | | | | | 105°F | | | | | | 115°F | | | | | |
| | | 59 | 63 | 67 | 71 | 59 | 63 | 67 | 71 | 59 | 63 | 67 | 71 | 59 | 63 | 67 | 71 | 59 | 63 | 67 | 71 | 59 | 63 | 67 | 71 | 59 | 63 | 67 | 71 | | | | | | | | |
| 70 | 1480 | MBh | 58.1 | 58.9 | 60.7 | - | 57.6 | 58.4 | 60.1 | - | 56.1 | 56.9 | 58.6 | - | 53.5 | 54.4 | 56.1 | - | 50.4 | 51.2 | 52.9 | - | 47.5 | 48.3 | 50.0 | - | 47.5 | 48.3 | 50.0 | - | | | | | | | |
| | | S/T | 0.61 | 0.54 | 0.42 | - | 0.62 | 0.55 | 0.42 | - | 0.64 | 0.57 | 0.45 | - | 0.66 | 0.59 | 0.46 | - | 0.68 | 0.61 | 0.48 | - | 1.00 | 0.66 | 0.53 | - | 1.00 | 0.66 | 0.53 | - | | | | | | | |
| | ΔT | 22 | 20 | 16 | - | 22 | 20 | 16 | - | 22 | 20 | 16 | - | 22 | 20 | 16 | - | 22 | 19 | 15 | - | 23 | 21 | 17 | - | 23 | 21 | 17 | - | | | | | | | | |
| | Lo PR | 114 | 116 | 118 | - | 121 | 122 | 125 | - | 127 | 128 | 131 | - | 132 | 134 | 136 | - | 137 | 139 | 141 | - | 143 | 145 | 148 | - | 143 | 145 | 148 | - | | | | | | | | |
| | Hi PR | 244 | 245 | 246 | - | 282 | 283 | 284 | - | 322 | 323 | 324 | - | 365 | 366 | 367 | - | 411 | 412 | 414 | - | 460 | 461 | 463 | - | 460 | 461 | 463 | - | | | | | | | | |
| | Amps | 11.6 | 11.6 | 11.5 | - | 13.2 | 13.2 | 13.2 | - | 15.1 | 15.1 | 15.1 | - | 17.2 | 17.2 | 17.1 | - | 19.4 | 19.4 | 19.4 | - | 22.1 | 22.1 | 22.1 | - | 22.1 | 22.1 | 22.1 | - | | | | | | | | |
| | KW | 3.20 | 3.20 | 3.19 | - | 3.59 | 3.58 | 3.58 | - | 4.02 | 4.02 | 4.01 | - | 4.49 | 4.49 | 4.48 | - | 5.01 | 5.01 | 5.00 | - | 5.63 | 5.62 | 5.62 | - | 5.63 | 5.62 | 5.62 | - | | | | | | | | |
| | MBh | 58.7 | 59.5 | 61.2 | - | 58.2 | 59.0 | 60.7 | - | 56.7 | 57.5 | 59.2 | - | 54.1 | 54.9 | 56.6 | - | 51.0 | 51.8 | 53.5 | - | 48.1 | 48.9 | 50.6 | - | 48.1 | 48.9 | 50.6 | - | | | | | | | | |
| | S/T | 0.63 | 0.56 | 0.44 | - | 0.64 | 0.57 | 0.45 | - | 0.66 | 0.59 | 0.47 | - | 0.68 | 0.61 | 0.49 | - | 0.70 | 0.63 | 0.51 | - | 1.00 | 0.68 | 0.55 | - | 1.00 | 0.68 | 0.55 | - | | | | | | | | |
| | ΔT | 21 | 19 | 15 | - | 21 | 19 | 15 | - | 21 | 19 | 15 | - | 21 | 19 | 15 | - | 21 | 19 | 15 | - | 22 | 20 | 16 | - | 22 | 20 | 16 | - | | | | | | | | |
| Lo PR | 115 | 117 | 120 | - | 122 | 124 | 127 | - | 128 | 130 | 133 | - | 133 | 135 | 138 | - | 138 | 140 | 143 | - | 145 | 146 | 149 | - | 145 | 146 | 149 | - | | | | | | | | | |
| Hi PR | 245 | 246 | 248 | - | 283 | 284 | 286 | - | 323 | 324 | 326 | - | 366 | 367 | 369 | - | 412 | 413 | 415 | - | 462 | 463 | 464 | - | 462 | 463 | 464 | - | | | | | | | | | |
| Amps | 11.6 | 11.6 | 11.6 | - | 13.3 | 13.3 | 13.3 | - | 15.2 | 15.2 | 15.1 | - | 17.2 | 17.2 | 17.2 | - | 19.5 | 19.5 | 19.4 | - | 22.2 | 22.1 | 22.1 | - | 22.2 | 22.1 | 22.1 | - | | | | | | | | | |
| KW | 3.21 | 3.21 | 3.20 | - | 3.60 | 3.60 | 3.59 | - | 4.03 | 4.03 | 4.02 | - | 4.50 | 4.50 | 4.49 | - | 5.02 | 5.02 | 5.01 | - | 5.64 | 5.63 | 5.63 | - | 5.64 | 5.63 | 5.63 | - | | | | | | | | | |
| MBh | 59.5 | 60.3 | 62.0 | - | 59.0 | 59.8 | 61.5 | - | 57.5 | 58.3 | 60.0 | - | 54.9 | 55.7 | 57.5 | - | 51.8 | 52.6 | 54.3 | - | 48.9 | 49.7 | 51.4 | - | 48.9 | 49.7 | 51.4 | - | | | | | | | | | |
| S/T | 0.65 | 0.58 | 0.46 | - | 0.66 | 0.59 | 0.46 | - | 0.68 | 0.61 | 0.48 | - | 0.70 | 0.63 | 0.50 | - | 0.72 | 0.65 | 0.52 | - | 1.00 | 0.69 | 0.57 | - | 1.00 | 0.69 | 0.57 | - | | | | | | | | | |
| ΔT | 20 | 18 | 14 | - | 20 | 18 | 14 | - | 21 | 18 | 14 | - | 20 | 18 | 14 | - | 20 | 18 | 14 | - | 21 | 19 | 15 | - | 21 | 19 | 15 | - | | | | | | | | | |
| Lo PR | 117 | 118 | 121 | - | 124 | 125 | 128 | - | 130 | 131 | 134 | - | 135 | 136 | 139 | - | 140 | 141 | 144 | - | 146 | 148 | 150 | - | 146 | 148 | 150 | - | | | | | | | | | |
| Hi PR | 246 | 248 | 249 | - | 285 | 286 | 287 | - | 325 | 326 | 327 | - | 368 | 369 | 370 | - | 414 | 415 | 417 | - | 463 | 464 | 466 | - | 463 | 464 | 466 | - | | | | | | | | | |
| Amps | 11.7 | 11.7 | 11.6 | - | 13.4 | 13.3 | 13.3 | - | 15.2 | 15.2 | 15.2 | - | 17.3 | 17.3 | 17.2 | - | 19.5 | 19.5 | 19.5 | - | 22.2 | 22.2 | 22.2 | - | 22.2 | 22.2 | 22.2 | - | | | | | | | | | |
| KW | 3.22 | 3.22 | 3.21 | - | 3.61 | 3.61 | 3.60 | - | 4.04 | 4.04 | 4.03 | - | 4.51 | 4.51 | 4.50 | - | 5.04 | 5.03 | 5.03 | - | 5.65 | 5.65 | 5.64 | - | 5.65 | 5.64 | 5.64 | - | | | | | | | | | |

| IDB | AIRFLOW | OUTDOOR AMBIENT TEMPERATURE | | | | | | | | | | | | | | | | | | | | | | | | | | | | | | | | | | | |
|-------|---------|-----------------------------|------|------|------|------|------|------|------|------|------|------|------|------|------|------|------|------|------|------|------|------|------|------|------|-------|------|------|------|------|--|-------|--|--|--|--|--|
| | | 65°F | | | | | | 75°F | | | | | | 85°F | | | | | | 95°F | | | | | | 105°F | | | | | | 115°F | | | | | |
| | | 59 | 63 | 67 | 71 | 59 | 63 | 67 | 71 | 59 | 63 | 67 | 71 | 59 | 63 | 67 | 71 | 59 | 63 | 67 | 71 | 59 | 63 | 67 | 71 | 59 | 63 | 67 | 71 | | | | | | | | |
| 75 | 1480 | MBh | 58.2 | 59.0 | 60.7 | 63.3 | 57.7 | 58.5 | 60.2 | 62.8 | 56.2 | 57.0 | 58.7 | 61.3 | 53.6 | 54.4 | 56.1 | 58.7 | 50.4 | 51.2 | 53.0 | 55.6 | 47.6 | 48.4 | 50.1 | 52.7 | 47.6 | 48.4 | 50.1 | 52.7 | | | | | | | |
| | | S/T | 0.73 | 0.66 | 0.54 | 0.40 | 0.74 | 0.67 | 0.54 | 0.41 | 0.76 | 0.69 | 0.57 | 0.43 | 0.78 | 0.71 | 0.58 | 0.45 | 1.00 | 0.73 | 0.60 | 0.47 | 1.00 | 0.78 | 0.65 | 0.52 | 1.00 | 0.78 | 0.65 | 0.52 | | | | | | | |
| | ΔT | 27 | 25 | 21 | 16 | 27 | 24 | 20 | 16 | 27 | 25 | 21 | 17 | 27 | 24 | 20 | 16 | 26 | 24 | 20 | 16 | 28 | 25 | 21 | 17 | 28 | 25 | 21 | 17 | | | | | | | | |
| | Lo PR | 114 | 116 | 119 | 123 | 121 | 122 | 125 | 130 | 127 | 128 | 131 | 136 | 132 | 134 | 136 | 141 | 137 | 139 | 141 | 146 | 143 | 145 | 148 | 152 | 143 | 145 | 148 | 152 | | | | | | | | |
| | Hi PR | 244 | 245 | 247 | 251 | 282 | 283 | 285 | 289 | 322 | 323 | 325 | 329 | 365 | 366 | 368 | 372 | 411 | 412 | 414 | 418 | 461 | 462 | 463 | 468 | 461 | 462 | 463 | 468 | | | | | | | | |
| | Amps | 11.6 | 11.5 | 11.5 | 11.6 | 13.2 | 13.2 | 13.2 | 13.3 | 15.1 | 15.1 | 15.1 | 15.2 | 17.2 | 17.1 | 17.1 | 17.2 | 19.4 | 19.4 | 19.4 | 19.5 | 22.1 | 22.1 | 22.1 | 22.2 | 22.1 | 22.1 | 22.1 | 22.2 | | | | | | | | |
| | KW | 3.20 | 3.19 | 3.19 | 3.22 | 3.59 | 3.58 | 3.58 | 3.61 | 4.02 | 4.01 | 4.01 | 4.04 | 4.49 | 4.48 | 4.48 | 4.51 | 5.01 | 5.01 | 5.00 | 5.03 | 5.62 | 5.62 | 5.61 | 5.64 | 5.62 | 5.62 | 5.61 | 5.64 | | | | | | | | |
| | MBh | 58.7 | 59.5 | 61.3 | 63.9 | 58.2 | 59.0 | 60.7 | 63.4 | 56.7 | 57.5 | 59.3 | 61.9 | 54.1 | 55.0 | 56.7 | 59.3 | 51.0 | 51.8 | 53.5 | 56.1 | 48.1 | 48.9 | 50.6 | 53.3 | 48.1 | 48.9 | 50.6 | 53.3 | | | | | | | | |
| | S/T | 0.75 | 0.68 | 0.56 | 0.43 | 0.76 | 0.69 | 0.56 | 0.43 | 0.78 | 0.71 | 0.59 | 0.46 | 1.00 | 0.73 | 0.61 | 0.47 | 1.00 | 0.75 | 0.63 | 0.49 | 1.00 | 0.80 | 0.67 | 0.54 | 1.00 | 0.80 | 0.67 | 0.54 | | | | | | | | |
| | ΔT | 26 | 24 | 20 | 16 | 26 | 24 | 20 | 16 | 26 | 24 | 20 | 16 | 26 | 24 | 20 | 16 | 26 | 23 | 19 | 15 | 27 | 25 | 21 | 17 | 27 | 25 | 21 | 17 | | | | | | | | |
| Lo PR | 115 | 117 | 120 | 124 | 122 | 124 | 127 | 131 | 128 | 130 | 133 | 137 | 133 | 135 | 138 | 142 | 138 | 140 | 143 | 147 | 145 | 146 | 149 | 154 | 145 | 146 | 149 | 154 | | | | | | | | | |
| Hi PR | 245 | 246 | 248 | 252 | 283 | 284 | 286 | 290 | 323 | 324 | 326 | 330 | 366 | 367 | 369 | 373 | 412 | 413 | 415 | 419 | 462 | 463 | 465 | 469 | 462 | 463 | 465 | 469 | | | | | | | | | |
| Amps | 11.6 | 11.6 | 11.6 | 11.7 | 13.3 | 13.3 | 13.2 | 13.4 | 15.2 | 15.2 | 15.1 | 15.3 | 17.2 | 17.2 | 17.2 | 17.3 | 19.5 | 19.5 | 19.4 | 19.6 | 22.1 | 22.1 | 22.1 | 22.2 | 22.1 | 22.1 | 22.1 | 22.2 | | | | | | | | | |
| KW | 3.21 | 3.21 | 3.20 | 3.23 | 3.60 | 3.59 | 3.59 | 3.62 | 4.03 | 4.03 | 4.02 | 4.05 | 4.50 | 4.49 | 4.49 | 4.52 | 5.02 | 5.02 | 5.01 | 5.04 | 5.63 | 5.63 | 5.62 | 5.65 | 5.63 | 5.63 | 5.62 | 5.65 | | | | | | | | | |
| MBh | 59.6 | 60.4 | 62.1 | 64.7 | 59.0 | 59.8 | 61.6 | 64.2 | 57.5 | 58.3 | 60.1 | 62.7 | 55.0 | 55.8 | 57.5 | 60.1 | 51.8 | 52.6 | 54.3 | 57.0 | 48.9 | 49.7 | 51.5 | 54.1 | 48.9 | 49.7 | 51.5 | 54.1 | | | | | | | | | |
| S/T | 0.77 | 0.70 | 0.57 | 0.44 | 0.78 | 0.71 | 0.58 | 0.45 | 0.80 | 0.73 | 0.60 | 0.47 | 1.00 | 0.75 | 0.62 | 0.49 | 1.00 | 0.77 | 0.64 | 0.51 | 1.00 | 0.81 | 0.69 | 0.56 | 1.00 | 0.81 | 0.69 | 0.56 | | | | | | | | | |
| ΔT | 25 | 23 | 19 | 15 | 25 | 23 | 19 | 15 | 25 | 23 | 19 | 15 | 25 | 23 | 19 | 15 | 25 | 23 | 19 | 14 | 26 | 24 | 20 | 16 | 26 | 24 | 20 | 16 | | | | | | | | | |
| Lo PR | 117 | 118 | 121 | 126 | 124 | 125 | 128 | 133 | 130 | 131 | 134 | 139 | 135 | 136 | 139 | 144 | 140 | 141 | 144 | 149 | 146 | 148 | 150 | 155 | 146 | 148 | 150 | 155 | | | | | | | | | |
| Hi PR | 247 | 248 | 249 | 254 | 285 | 286 | 288 | 292 | 325 | 326 | 327 | 332 | 368 | 369 | 370 | 375 | 414 | 415 | 417 | 421 | 464 | 465 | 466 | 470 | 464 | 465 | 466 | 470 | | | | | | | | | |
| Amps | 11.7 | 11.6 | 11.6 | 11.7 | 13.3 | 13.3 | 13.3 | 13.4 | 15.2 | 15.2 | 15.2 | 15.3 | 17.3 | 17.2 | 17.2 | 17.3 | 19.5 | 19.5 | 19.5 | 19.6 | 22.2 | 22.2 | 22.2 | 22.3 | 22.2 | 22.2 | 22.2 | 22.3 | | | | | | | | | |
| KW | 3.22 | 3.22 | 3.21 | 3.24 | 3.61 | 3.61 | 3.60 | 3.63 | 4.04 | 4.04 | 4.03 | 4.06 | 4.51 | 4.51 | 4.50 | 4.53 | 5.03 | 5.03 | 5.02 | 5.05 | 5.65 | 5.64 | 5.64 | 5.67 | 5.65 | 5.64 | 5.64 | 5.67 | | | | | | | | | |

IDB = Entering Indoor Dry Bulb Temperature
 High and low pressures are measured at the liquid and suction service valves.
 Shaded area reflects ACCA (TVA) conditions
 kW = Total system power
 Amps = outdoor unit amps (comp.+fan)

| IDB | AIRFLOW | OUTDOOR AMBIENT TEMPERATURE | | | | | | | | | | | | ENTERING INDOOR WET BULB TEMPERATURE | | | | | | | | | | | |
|-------|---------|-----------------------------|------|------|------|------|------|------|------|------|------|------|------|--------------------------------------|------|------|------|-------|------|------|------|-------|------|------|------|
| | | 65°F | | | | 75°F | | | | 85°F | | | | 95°F | | | | 105°F | | | | 115°F | | | |
| | | 59 | 63 | 67 | 71 | 59 | 63 | 67 | 71 | 59 | 63 | 67 | 71 | 59 | 63 | 67 | 71 | 59 | 63 | 67 | 71 | 59 | 63 | 67 | 71 |
| 80 | Mbh | 58.5 | 59.3 | 61.0 | 63.6 | 58.0 | 58.8 | 60.5 | 63.1 | 56.5 | 57.3 | 59.0 | 61.6 | 53.9 | 54.7 | 56.4 | 59.0 | 50.7 | 51.5 | 53.3 | 55.9 | 47.9 | 48.7 | 50.4 | 53.0 |
| | S/T | 0.85 | 0.78 | 0.65 | 0.52 | 0.85 | 0.78 | 0.66 | 0.53 | 1.00 | 0.80 | 0.68 | 0.55 | 1.00 | 0.82 | 0.70 | 0.57 | 1.00 | 0.84 | 0.72 | 0.59 | 1.00 | 0.89 | 0.77 | 0.63 |
| | ΔT | 31 | 29 | 25 | 21 | 31 | 29 | 25 | 21 | 32 | 30 | 26 | 21 | 31 | 29 | 25 | 21 | 31 | 29 | 25 | 21 | 32 | 30 | 26 | 22 |
| | Lo PR | 115 | 116 | 119 | 124 | 122 | 123 | 126 | 131 | 128 | 129 | 132 | 137 | 133 | 134 | 137 | 142 | 138 | 139 | 142 | 147 | 144 | 145 | 148 | 153 |
| | Hi PR | 244 | 245 | 247 | 251 | 282 | 283 | 285 | 289 | 322 | 323 | 325 | 329 | 365 | 366 | 368 | 372 | 412 | 413 | 414 | 419 | 461 | 462 | 464 | 468 |
| | Amps | 11.6 | 11.5 | 11.5 | 11.6 | 13.2 | 13.2 | 13.3 | 13.3 | 15.1 | 15.1 | 15.1 | 15.2 | 17.2 | 17.2 | 17.1 | 17.3 | 19.4 | 19.4 | 19.4 | 19.5 | 22.1 | 22.1 | 22.1 | 22.2 |
| | KW | 3.20 | 3.20 | 3.19 | 3.22 | 3.59 | 3.58 | 3.58 | 3.61 | 4.02 | 4.02 | 4.01 | 4.04 | 4.49 | 4.48 | 4.48 | 4.51 | 5.01 | 5.01 | 5.00 | 5.03 | 5.62 | 5.62 | 5.61 | 5.64 |
| | Mbh | 59.0 | 59.8 | 61.6 | 64.2 | 58.5 | 59.3 | 61.0 | 63.7 | 57.0 | 57.8 | 59.5 | 62.2 | 54.4 | 55.3 | 57.0 | 59.6 | 51.3 | 52.1 | 53.8 | 56.4 | 48.4 | 49.2 | 50.9 | 53.6 |
| | S/T | 0.87 | 0.80 | 0.67 | 0.54 | 1.00 | 0.80 | 0.68 | 0.55 | 1.00 | 0.83 | 0.70 | 0.57 | 1.00 | 0.85 | 0.72 | 0.59 | 1.00 | 0.87 | 0.74 | 0.61 | 1.00 | 1.00 | 0.79 | 0.66 |
| | ΔT | 31 | 29 | 25 | 20 | 31 | 28 | 24 | 20 | 31 | 29 | 25 | 21 | 31 | 28 | 24 | 20 | 30 | 28 | 24 | 20 | 32 | 30 | 26 | 21 |
| Lo PR | 116 | 117 | 120 | 125 | 123 | 124 | 127 | 132 | 129 | 130 | 133 | 138 | 134 | 135 | 138 | 143 | 139 | 140 | 143 | 148 | 145 | 146 | 149 | 154 | |
| Hi PR | 246 | 247 | 248 | 252 | 284 | 285 | 286 | 291 | 324 | 325 | 326 | 330 | 367 | 368 | 369 | 373 | 413 | 414 | 416 | 420 | 462 | 463 | 465 | 469 | |
| Amps | 11.6 | 11.6 | 11.6 | 11.7 | 13.3 | 13.3 | 13.3 | 13.4 | 15.2 | 15.2 | 15.1 | 15.3 | 17.2 | 17.2 | 17.2 | 17.3 | 19.5 | 19.5 | 19.4 | 19.6 | 22.2 | 22.1 | 22.1 | 22.2 | |
| KW | 3.21 | 3.21 | 3.20 | 3.23 | 3.60 | 3.60 | 3.59 | 3.62 | 4.03 | 4.03 | 4.02 | 4.05 | 4.50 | 4.50 | 4.49 | 4.52 | 5.02 | 5.02 | 5.01 | 5.04 | 5.64 | 5.63 | 5.63 | 5.66 | |
| Mbh | 59.8 | 60.7 | 62.4 | 65.0 | 59.3 | 60.1 | 61.9 | 64.5 | 57.8 | 58.6 | 60.4 | 63.0 | 55.3 | 56.1 | 57.8 | 60.4 | 52.1 | 52.9 | 54.6 | 57.3 | 49.2 | 50.0 | 51.8 | 54.4 | |
| S/T | 0.88 | 0.81 | 0.69 | 0.56 | 1.00 | 0.82 | 0.70 | 0.56 | 1.00 | 0.84 | 0.72 | 0.59 | 1.00 | 0.86 | 0.74 | 0.61 | 1.00 | 0.88 | 0.76 | 0.63 | 1.00 | 1.00 | 0.80 | 0.67 | |
| ΔT | 30 | 28 | 24 | 20 | 30 | 28 | 24 | 19 | 30 | 28 | 24 | 20 | 30 | 28 | 24 | 19 | 30 | 27 | 23 | 19 | 31 | 29 | 25 | 21 | |
| Lo PR | 118 | 119 | 122 | 127 | 124 | 126 | 129 | 133 | 130 | 132 | 135 | 139 | 135 | 137 | 140 | 144 | 140 | 142 | 145 | 149 | 147 | 148 | 151 | 156 | |
| Hi PR | 247 | 248 | 250 | 254 | 285 | 286 | 288 | 292 | 325 | 326 | 328 | 332 | 368 | 369 | 371 | 375 | 415 | 416 | 417 | 421 | 464 | 465 | 467 | 471 | |
| Amps | 11.7 | 11.7 | 11.6 | 11.8 | 13.4 | 13.3 | 13.3 | 13.4 | 15.2 | 15.2 | 15.2 | 15.3 | 17.3 | 17.3 | 17.2 | 17.4 | 19.5 | 19.5 | 19.5 | 19.6 | 22.2 | 22.2 | 22.2 | 22.3 | |
| KW | 3.22 | 3.22 | 3.21 | 3.24 | 3.61 | 3.61 | 3.60 | 3.63 | 4.04 | 4.04 | 4.03 | 4.06 | 4.51 | 4.51 | 4.50 | 4.53 | 5.03 | 5.03 | 5.03 | 5.05 | 5.65 | 5.65 | 5.64 | 5.67 | |
| 85 | Mbh | 59.4 | 60.2 | 62.0 | 64.6 | 58.9 | 59.7 | 61.4 | 64.1 | 57.4 | 58.2 | 59.9 | 62.6 | 54.8 | 55.7 | 57.4 | 60.0 | 51.7 | 52.5 | 54.2 | 56.8 | 48.8 | 49.6 | 51.3 | 54.0 |
| | S/T | 1.00 | 0.87 | 0.74 | 0.61 | 1.00 | 0.88 | 0.75 | 0.62 | 1.00 | 0.90 | 0.77 | 0.64 | 1.00 | 1.00 | 0.79 | 0.66 | 1.00 | 1.00 | 0.81 | 0.68 | 1.00 | 1.00 | 0.86 | 0.73 |
| | ΔT | 36 | 33 | 29 | 25 | 36 | 33 | 29 | 25 | 36 | 34 | 30 | 26 | 36 | 33 | 29 | 25 | 35 | 33 | 29 | 25 | 37 | 34 | 30 | 26 |
| | Lo PR | 116 | 118 | 121 | 125 | 123 | 125 | 128 | 132 | 129 | 131 | 134 | 138 | 134 | 136 | 139 | 143 | 139 | 141 | 144 | 148 | 146 | 147 | 150 | 155 |
| | Hi PR | 245 | 246 | 248 | 252 | 283 | 285 | 286 | 290 | 323 | 324 | 326 | 330 | 366 | 367 | 369 | 373 | 413 | 414 | 415 | 420 | 462 | 463 | 465 | 469 |
| | Amps | 11.6 | 11.6 | 11.6 | 11.7 | 13.3 | 13.3 | 13.2 | 13.4 | 15.2 | 15.1 | 15.1 | 15.2 | 17.2 | 17.2 | 17.2 | 17.3 | 19.5 | 19.5 | 19.4 | 19.6 | 22.1 | 22.1 | 22.1 | 22.2 |
| | KW | 3.21 | 3.20 | 3.20 | 3.23 | 3.59 | 3.59 | 3.58 | 3.61 | 4.03 | 4.02 | 4.02 | 4.05 | 4.50 | 4.49 | 4.49 | 4.52 | 5.02 | 5.02 | 5.01 | 5.04 | 5.63 | 5.63 | 5.62 | 5.65 |
| | Mbh | 60.0 | 60.8 | 62.5 | 65.1 | 59.5 | 60.3 | 62.0 | 64.6 | 58.0 | 58.8 | 60.5 | 63.1 | 55.4 | 56.2 | 57.9 | 60.6 | 52.3 | 53.1 | 54.8 | 57.4 | 49.4 | 50.2 | 51.9 | 54.5 |
| | S/T | 1.00 | 0.89 | 0.77 | 0.64 | 1.00 | 0.90 | 0.77 | 0.64 | 1.00 | 0.92 | 0.80 | 0.66 | 1.00 | 1.00 | 0.81 | 0.68 | 1.00 | 1.00 | 0.83 | 0.70 | 1.00 | 1.00 | 0.88 | 0.75 |
| | ΔT | 35 | 33 | 29 | 25 | 35 | 33 | 29 | 25 | 35 | 33 | 29 | 25 | 35 | 33 | 29 | 25 | 35 | 32 | 28 | 24 | 36 | 34 | 30 | 26 |
| Lo PR | 118 | 119 | 122 | 127 | 124 | 126 | 129 | 134 | 130 | 132 | 135 | 140 | 136 | 137 | 140 | 145 | 141 | 142 | 145 | 150 | 147 | 148 | 151 | 156 | |
| Hi PR | 247 | 248 | 249 | 254 | 285 | 286 | 287 | 292 | 325 | 326 | 327 | 332 | 368 | 369 | 370 | 375 | 414 | 415 | 417 | 421 | 463 | 465 | 466 | 470 | |
| Amps | 11.6 | 11.6 | 11.6 | 11.7 | 13.3 | 13.3 | 13.3 | 13.4 | 15.2 | 15.2 | 15.2 | 15.3 | 17.2 | 17.2 | 17.2 | 17.3 | 19.5 | 19.5 | 19.5 | 19.6 | 22.2 | 22.2 | 22.1 | 22.3 | |
| KW | 3.22 | 3.22 | 3.21 | 3.24 | 3.61 | 3.60 | 3.60 | 3.63 | 4.04 | 4.04 | 4.03 | 4.06 | 4.51 | 4.50 | 4.50 | 4.53 | 5.03 | 5.03 | 5.02 | 5.05 | 5.64 | 5.64 | 5.63 | 5.66 | |
| Mbh | 60.8 | 61.6 | 63.3 | 66.0 | 60.3 | 61.1 | 62.8 | 65.4 | 58.8 | 59.6 | 61.3 | 63.9 | 56.2 | 57.0 | 58.8 | 61.4 | 53.1 | 53.9 | 55.6 | 58.2 | 50.2 | 51.0 | 52.7 | 55.3 | |
| S/T | 1.00 | 0.91 | 0.78 | 0.65 | 1.00 | 0.91 | 0.79 | 0.66 | 1.00 | 0.94 | 0.81 | 0.68 | 1.00 | 1.00 | 0.83 | 0.70 | 1.00 | 1.00 | 0.85 | 0.72 | 1.00 | 1.00 | 0.90 | 0.77 | |
| ΔT | 34 | 32 | 28 | 24 | 34 | 32 | 28 | 24 | 34 | 32 | 28 | 24 | 34 | 32 | 28 | 24 | 34 | 32 | 28 | 23 | 35 | 33 | 29 | 25 | |
| Lo PR | 119 | 121 | 123 | 128 | 126 | 127 | 130 | 135 | 132 | 133 | 136 | 141 | 137 | 139 | 141 | 146 | 142 | 143 | 146 | 151 | 148 | 150 | 153 | 157 | |
| Hi PR | 248 | 249 | 251 | 255 | 286 | 287 | 289 | 293 | 326 | 327 | 329 | 333 | 369 | 370 | 372 | 376 | 416 | 417 | 418 | 423 | 465 | 466 | 468 | 472 | |
| Amps | 11.7 | 11.7 | 11.7 | 11.8 | 13.4 | 13.4 | 13.3 | 13.5 | 15.3 | 15.3 | 15.2 | 15.4 | 17.3 | 17.3 | 17.3 | 17.4 | 19.6 | 19.6 | 19.5 | 19.7 | 22.2 | 22.2 | 22.2 | 22.3 | |
| KW | 3.23 | 3.23 | 3.22 | 3.25 | 3.62 | 3.62 | 3.61 | 3.64 | 4.05 | 4.05 | 4.04 | 4.07 | 4.52 | 4.52 | 4.51 | 4.54 | 5.04 | 5.04 | 5.03 | 5.06 | 5.66 | 5.65 | 5.65 | 5.68 | |

IDB = Entering Indoor Dry Bulb Temperature
 High and low pressures are measured at the liquid and suction service valves.
 Shaded area reflects AHRI (TVA) conditions
 kW = Total system power
 Amps = outdoor unit amps (comp. + fan)



ENERGY STAR-CERTIFIED COMBINATIONS [^]

| OUTDOOR UNIT | INDOOR UNITS | | COOLING RATINGS | | | | CFM | AHRI # |
|------------------|---------------------------------|----------------|--------------------|--------------------|-------------------|------------------|-------|----------|
| | COILS/AIR HANDLERS | FURNACES | TOTAL ¹ | SENS. ¹ | SEER ² | EER ³ | | |
| GSXC18 0241B* | CA*F3137*6A*+MBVC1200**-1A*+TXV | | 24,000 | 18,200 | 19.0 | 14.0 | 890 | 10332299 |
| | CA*F3137*6A*+TXV | G*VC80603B*B* | 24,000 | 18,200 | 18.0 | 14.0 | 820 | 10332303 |
| | CA*F3137*6A*+TXV | G*VC960403BNA* | 23,800 | 18,000 | 18.0 | 13.5 | 800 | 10332328 |
| | CA*F3137*6A*+TXV | G*VC960603BNA* | 23,800 | 18,000 | 18.0 | 13.5 | 820 | 10332335 |
| | CA*F3137*6A*+TXV | G*VM970603BNA* | 23,800 | 18,000 | 18.0 | 13.5 | 820 | 10332342 |
| | CHPF3636B6C*+TXV | G*VC80603B*B* | 23,800 | 18,000 | 18.0 | 13.5 | 820 | 10332307 |
| | CHPF3636B6C*+TXV | G*VC960403BNA* | 23,400 | 17,600 | 18.0 | 13.5 | 800 | 10332332 |
| | CHPF3636B6C*+TXV | G*VC960603BNA* | 23,400 | 17,600 | 18.0 | 13.5 | 820 | 10332339 |
| | CHPF3636B6C*+TXV | G*VM970603BNA* | 23,400 | 17,600 | 18.0 | 13.5 | 820 | 10332346 |
| GSXC18 0361B* | AVPTC59C14A* | | 35,400 | 26,800 | 17.5 | 13.0 | 1,240 | 10332371 |
| | CA*F3137*6A*+TXV | G*VC80604B*B* | 35,000 | 26,600 | 17.5 | 13.0 | 1,130 | 10332390 |
| | CA*F4961*6D*+TXV | G*VC80604B*B* | 35,000 | 26,600 | 18.0 | 13.2 | 1,130 | 10332389 |
| | CA*F4961*6D*+TXV | G*VC80804C*B* | 35,000 | 26,600 | 18.0 | 13.0 | 1,100 | 10332401 |
| | CA*F4961*6D*+TXV | G*VC80805C*B* | 36,000 | 27,200 | 18.0 | 13.7 | 1,200 | 10332406 |
| | CA*F4961*6D*+TXV | G*VC960403BNA* | 34,000 | 25,800 | 17.0 | 13.0 | 1,100 | 10332420 |
| | CA*F4961*6D*+TXV | G*VC961005CNA* | 34,600 | 26,200 | 18.0 | 13.0 | 1,120 | 10332444 |
| | CA*F4961*6D*+TXV | G*VC961205DNA* | 34,800 | 26,400 | 18.0 | 13.0 | 1,150 | 10332450 |
| | CA*F4961*6D*+TXV | G*VM971005CNA* | 34,600 | 26,200 | 18.0 | 13.0 | 1,120 | 10332473 |
| | CA*F4961*6D*+TXV | G*VM971205DNA* | 34,800 | 26,400 | 18.0 | 13.0 | 1,150 | 10332479 |
| | CHPF4860D6D*+TXV | G*VC961005CNA* | 34,600 | 26,200 | 17.5 | 13.0 | 1,120 | 10332448 |
| | CHPF4860D6D*+TXV | G*VM971005CNA* | 34,600 | 26,200 | 17.5 | 13.0 | 1,120 | 10332477 |
| GSXC18 0481B* | AVPTC61D14A* | | 48,000 | 36,400 | 18.0 | 13.0 | 1,720 | 10332489 |
| | CA*F4961*6D*+MBVC2000**-1A*+TXV | | 48,000 | 36,400 | 18.0 | 13.5 | 1,560 | 10332492 |
| | CA*F4961*6D*+TXV | G*VC80805C*B* | 48,000 | 36,400 | 18.0 | 13.3 | 1,400 | 10332494 |
| | CA*F4961*6D*+TXV | G*VC961005CNA* | 48,000 | 36,400 | 18.0 | 13.0 | 1,450 | 10332510 |
| | CA*F4961*6D*+TXV | G*VC961005DNA* | 48,000 | 36,400 | 18.0 | 13.2 | 1,400 | 10332514 |
| | CA*F4961*6D*+TXV | G*VC961205DNA* | 48,000 | 36,400 | 18.0 | 13.0 | 1,400 | 10332518 |
| | CA*F4961*6D*+TXV | G*VM971005CNA* | 48,000 | 36,400 | 18.0 | 13.0 | 1,450 | 10332526 |
| | CA*F4961*6D*+TXV | G*VM971205DNA* | 48,000 | 36,400 | 18.0 | 13.0 | 1,400 | 10332530 |
| GSXC18 0601B* | AVPTC61D14A* | | 56,500 | 41,000 | 16.5 | 13.0 | 1,660 | 10510216 |
| | CA*F4961*6D*+MBVC2000**-1A*+TXV | | 58,000 | 43,400 | 17.0 | 13.0 | 1,720 | 10510217 |

[^] Proper sizing and installation of equipment is critical to achieving optimal performance. Split system air conditioners and heat pumps must be matched with appropriate coil components to meet ENERGY STAR criteria. Ask your contractor for details or visit www.energystar.gov. The www.energystar.gov website provides up to date system combinations certified to meet ENERGY STAR requirements.

¹ BTU/h

² Seasonal Energy Efficiency Ratio; Certified per AHRI 210/240 @ 80°F/ 67°F/ 95°F

³ Energy Efficiency Ratio @ 80°F/ 67°F/ 95°F

NOTES

- Always check the S&R plate for electrical data on the unit being installed.
- When matching the outdoor unit to the indoor unit, use the piston supplied with the outdoor unit or that specified on the piston kit chart supplied with the indoor unit.
- EEP - Order from Service Dept. Part No. B13707-38 or new Solid State Board B13707-35S. Part No. B13707-38 is not interchangeable with B13707-35S. The Goodman brand gas furnace contains the EEP cooling time delay.

| OUTDOOR UNIT | INDOOR UNITS | | COOLING RATINGS | | | | CFM | AHRI # |
|----------------------|---------------------------------|----------------|--------------------|--------------------|-------------------|------------------|----------|----------|
| | COILS/AIR HANDLERS | FURNACES | TOTAL ¹ | SENS. ¹ | SEER ² | EER ³ | | |
| GSXC18 0241B* | AVPTC24B14A* | | 23,000 | 17,400 | 17.0 | 13.0 | 780 | 10332296 |
| | AVPTC25B14A* | | 23,000 | 17,400 | 17.0 | 13.0 | 800 | 10332295 |
| | AVPTC29B14A* | | 24,000 | 18,200 | 18.0 | 14.0 | 760 | 10332297 |
| | AVPTC30C14A* | | 23,400 | 17,600 | 17.5 | 13.5 | 800 | 10332298 |
| | CA*F3137*6A*+EEP+TXV | | 23,400 | 17,600 | 15.5 | 13.0 | 760 | 10332288 |
| | CA*F3137*6A*+MBVC1200**-1A*+TXV | | 24,000 | 18,200 | 19.0 | 14.0 | 890 | 10332299 |
| | CA*F3137*6A*+TXV | G*VC80603B*B* | 24,000 | 18,200 | 18.0 | 14.0 | 820 | 10332303 |
| | CA*F3137*6A*+TXV | G*VC80604B*B* | 24,000 | 18,200 | 18.0 | 14.0 | 820 | 10332310 |
| | CA*F3137*6A*+TXV | G*VC80803B*B* | 24,000 | 18,200 | 18.0 | 14.0 | 850 | 10332316 |
| | CA*F3137*6A*+TXV | G*VC960403BNA* | 23,800 | 18,000 | 18.0 | 13.5 | 800 | 10332328 |
| | CA*F3137*6A*+TXV | G*VC960603BNA* | 23,800 | 18,000 | 18.0 | 13.5 | 820 | 10332335 |
| | CA*F3137*6A*+TXV | G*VM970603BNA* | 23,800 | 18,000 | 18.0 | 13.5 | 820 | 10332342 |
| | CA*F3137*6A*+TXV | G*VC960803BNA* | 23,800 | 18,000 | 18.0 | 13.5 | 820 | 10332349 |
| | CA*F3137*6A*+TXV | G*VM970803BNA* | 23,800 | 18,000 | 18.0 | 13.5 | 820 | 10332356 |
| | CA*F3636*6D*+EEP+TXV | | 23,000 | 17,400 | 15.0 | 12.5 | 830 | 10332291 |
| | CA*F3636*6D*+MBVC1200**-1A*+TXV | | 23,600 | 17,800 | 18.0 | 14.0 | 880 | 10332300 |
| | CA*F3636*6D*+TXV | G*VC80603B*B* | 23,600 | 17,800 | 18.0 | 13.5 | 820 | 10332304 |
| | CA*F3636*6D*+TXV | G*VC80604B*B* | 23,600 | 17,800 | 18.0 | 13.5 | 820 | 10332311 |
| | CA*F3636*6D*+TXV | G*VC80803B*B* | 23,400 | 17,600 | 18.0 | 13.5 | 850 | 10332317 |
| | CA*F3636*6D*+TXV | G*VC960403BNA* | 23,200 | 17,600 | 18.0 | 13.5 | 800 | 10332329 |
| | CA*F3636*6D*+TXV | G*VC960603BNA* | 23,200 | 17,600 | 18.0 | 13.5 | 820 | 10332336 |
| | CA*F3636*6D*+TXV | G*VM970603BNA* | 23,200 | 17,600 | 18.0 | 13.5 | 820 | 10332343 |
| | CA*F3636*6D*+TXV | G*VC960803BNA* | 23,200 | 17,600 | 18.0 | 13.5 | 820 | 10332350 |
| | CA*F3636*6D*+TXV | G*VM970803BNA* | 23,200 | 17,600 | 18.0 | 13.5 | 820 | 10332357 |
| | CA*F3642*6D*+EEP+TXV | | 23,000 | 17,400 | 15.0 | 12.5 | 830 | 10332292 |
| | CA*F3642*6D*+MBVC1200**-1A*+TXV | | 23,800 | 18,000 | 18.0 | 14.0 | 890 | 10332301 |
| | CA*F3642*6D*+TXV | G*VC80603B*B* | 23,800 | 18,000 | 18.0 | 13.5 | 820 | 10332305 |
| | CA*F3642*6D*+TXV | G*VC80604B*B* | 23,800 | 18,000 | 18.0 | 13.5 | 820 | 10332312 |
| | CA*F3642*6D*+TXV | G*VC80803B*B* | 23,600 | 17,800 | 18.0 | 13.5 | 850 | 10332318 |
| | CA*F3642*6D*+TXV | G*VC80805C*B* | 23,400 | 17,600 | 18.0 | 13.5 | 800 | 10332323 |
| | CA*F3642*6D*+TXV | G*VC960403BNA* | 23,400 | 17,600 | 18.0 | 13.5 | 800 | 10332330 |
| | CA*F3642*6D*+TXV | G*VC960603BNA* | 23,400 | 17,600 | 18.0 | 13.5 | 820 | 10332337 |
| | CA*F3642*6D*+TXV | G*VM970603BNA* | 23,400 | 17,600 | 18.0 | 13.5 | 820 | 10332344 |
| | CA*F3642*6D*+TXV | G*VC960803BNA* | 23,400 | 17,600 | 18.0 | 13.5 | 820 | 10332351 |
| | CA*F3642*6D*+TXV | G*VM970803BNA* | 23,400 | 17,600 | 18.0 | 13.5 | 820 | 10332358 |
| | CA*F3743*6D*+TXV | G*VC80603B*B* | 23,800 | 18,000 | 18.0 | 13.5 | 820 | 10332306 |
| | CA*F3743*6D*+TXV | G*VC80803B*B* | 23,600 | 17,800 | 18.0 | 13.5 | 850 | 10332319 |
| | CA*F3743*6D*+TXV | G*VC80805C*B* | 23,600 | 17,800 | 18.0 | 13.5 | 800 | 10332324 |
| | CA*F3743*6D*+TXV | G*VC960403BNA* | 23,600 | 17,800 | 18.0 | 13.5 | 800 | 10332331 |
| | CA*F3743*6D*+TXV | G*VC960603BNA* | 23,600 | 17,800 | 18.0 | 13.5 | 820 | 10332338 |
| | CA*F3743*6D*+TXV | G*VM970603BNA* | 23,600 | 17,800 | 18.0 | 13.5 | 820 | 10332345 |
| | CA*F3743*6D*+TXV | G*VC960803BNA* | 23,600 | 17,800 | 18.0 | 13.5 | 820 | 10332352 |
| CA*F3743*6D*+TXV | G*VM970803BNA* | 23,600 | 17,800 | 18.0 | 13.5 | 820 | 10332359 | |
| CHPF3636B6C*+EEP+TXV | | 23,200 | 17,600 | 15.0 | 12.5 | 830 | 10332293 | |
| CHPF3636B6C*+TXV | G*VC80603B*B* | 23,800 | 18,000 | 18.0 | 13.5 | 820 | 10332307 | |
| CHPF3636B6C*+TXV | G*VC80604B*B* | 23,800 | 18,000 | 18.0 | 13.5 | 820 | 10332313 | |
| CHPF3636B6C*+TXV | G*VC80803B*B* | 23,600 | 17,800 | 18.0 | 13.5 | 850 | 10332320 | |
| CHPF3636B6C*+TXV | G*VC960403BNA* | 23,400 | 17,600 | 18.0 | 13.5 | 800 | 10332332 | |
| CHPF3636B6C*+TXV | G*VC960603BNA* | 23,400 | 17,600 | 18.0 | 13.5 | 820 | 10332339 | |
| CHPF3636B6C*+TXV | G*VM970603BNA* | 23,400 | 17,600 | 18.0 | 13.5 | 820 | 10332346 | |
| CHPF3636B6C*+TXV | G*VC960803BNA* | 23,400 | 17,600 | 18.0 | 13.5 | 820 | 10332353 | |
| CHPF3636B6C*+TXV | G*VM970803BNA* | 23,400 | 17,600 | 18.0 | 13.5 | 820 | 10332360 | |

See Notes on Page 22.

AHRI RATINGS (CONT.)

| OUTDOOR UNIT | INDOOR UNITS | | COOLING RATINGS | | | | CFM | AHRI # |
|------------------------------|---------------------------------|----------------|--------------------|--------------------|-------------------|------------------|----------|----------|
| | COILS/AIR HANDLERS | FURNACES | TOTAL ¹ | SENS. ¹ | SEER ² | EER ³ | | |
| GSXC18 0241B* (Contd.) | CHPF3642C6C*+EEP+TXV | | 23,200 | 17,600 | 15.0 | 12.5 | 830 | 10332294 |
| | CHPF3642C6C*+MBVC1200**-1A*+TXV | | 24,000 | 18,200 | 18.0 | 14.0 | 890 | 10332302 |
| | CHPF3642C6C*+TXV | G*VC80603B*B* | 23,800 | 18,000 | 18.0 | 13.5 | 820 | 10332308 |
| | CHPF3642C6C*+TXV | G*VC80604B*B* | 23,800 | 18,000 | 18.0 | 13.5 | 820 | 10332314 |
| | CHPF3642C6C*+TXV | G*VC80803B*B* | 23,600 | 17,800 | 18.0 | 13.5 | 850 | 10332321 |
| | CHPF3642C6C*+TXV | G*VC80805C*B* | 23,600 | 17,800 | 18.0 | 13.5 | 800 | 10332325 |
| | CHPF3642C6C*+TXV | G*VC960403BNA* | 23,400 | 17,600 | 18.0 | 13.5 | 800 | 10332333 |
| | CHPF3642C6C*+TXV | G*VC960603BNA* | 23,400 | 17,600 | 18.0 | 13.5 | 820 | 10332340 |
| | CHPF3642C6C*+TXV | G*VM970603BNA* | 23,400 | 17,600 | 18.0 | 13.5 | 820 | 10332347 |
| | CHPF3642C6C*+TXV | G*VC960803BNA* | 23,400 | 17,600 | 18.0 | 13.5 | 820 | 10332354 |
| | CHPF3642C6C*+TXV | G*VM970803BNA* | 23,400 | 17,600 | 18.0 | 13.5 | 820 | 10332361 |
| | CHPF3743C6B*+TXV | G*VC80805C*B* | 23,600 | 17,800 | 18.0 | 13.5 | 800 | 10332326 |
| | CSCF3642N6D*+TXV | G*VC80603B*B* | 24,000 | 18,200 | 18.0 | 14.0 | 820 | 10332309 |
| | CSCF3642N6D*+TXV | G*VC80604B*B* | 24,000 | 18,200 | 18.0 | 14.0 | 820 | 10332315 |
| | CSCF3642N6D*+TXV | G*VC80803B*B* | 24,000 | 18,200 | 18.0 | 14.0 | 850 | 10332322 |
| | CSCF3642N6D*+TXV | G*VC80805C*B* | 23,800 | 18,000 | 18.0 | 14.0 | 800 | 10332327 |
| | CSCF3642N6D*+TXV | G*VC960403BNA* | 23,800 | 18,000 | 18.0 | 13.5 | 800 | 10332334 |
| | CSCF3642N6D*+TXV | G*VC960603BNA* | 23,800 | 18,000 | 18.0 | 13.5 | 820 | 10332341 |
| | CSCF3642N6D*+TXV | G*VM970603BNA* | 23,800 | 18,000 | 18.0 | 13.5 | 820 | 10332348 |
| | CSCF3642N6D*+TXV | G*VC960803BNA* | 23,800 | 18,000 | 18.0 | 13.5 | 820 | 10332355 |
| CSCF3642N6D*+TXV | G*VM970803BNA* | 23,800 | 18,000 | 18.0 | 13.5 | 820 | 10332362 | |
| GSXC18 0361B* | AVPTC37C14A* | | 34,000 | 25,800 | 16.5 | 12.5 | 1,250 | 10332366 |
| | AVPTC42D14A* | | 35,000 | 26,600 | 18.0 | 13.0 | 1,220 | 10332367 |
| | AVPTC48C14A* | | 34,000 | 25,800 | 16.5 | 12.5 | 1,180 | 10332368 |
| | AVPTC48D14A* | | 36,000 | 27,200 | 17.5 | 13.0 | 1,210 | 10332369 |
| | AVPTC49D14A* | | 36,000 | 27,200 | 17.5 | 13.0 | 1,320 | 10332370 |
| | AVPTC59C14A* | | 35,400 | 26,800 | 17.5 | 13.0 | 1,240 | 10332371 |
| | CA*F3137*6A*+TXV | G*VC80603B*B* | 34,000 | 25,800 | 17.0 | 12.5 | 1,100 | 10332384 |
| | CA*F3137*6A*+TXV | G*VC80604B*B* | 35,000 | 26,600 | 17.5 | 13.0 | 1,130 | 10332390 |
| | CA*F3137*6A*+TXV | G*VC80803B*B* | 34,000 | 25,800 | 17.0 | 13.0 | 1,100 | 10332396 |
| | CA*F3137*6A*+TXV | G*VC960403BNA* | 34,000 | 25,800 | 16.5 | 13.0 | 1,100 | 10332421 |
| | CA*F3137*6A*+TXV | G*VC960603BNA* | 34,000 | 25,800 | 17.0 | 13.0 | 1,140 | 10332427 |
| | CA*F3137*6A*+TXV | G*VC960803BNA* | 34,000 | 25,800 | 17.0 | 13.0 | 1,140 | 10332433 |
| | CA*F3137*6A*+TXV | G*VM970603BNA* | 34,000 | 25,800 | 17.0 | 13.0 | 1,140 | 10332456 |
| | CA*F3137*6A*+TXV | G*VM970803BNA* | 34,000 | 25,800 | 17.0 | 13.0 | 1,140 | 10332462 |
| | CA*F3743*6D*+EEP+TXV | | 34,000 | 25,800 | 15.0 | 12.2 | 1,130 | 10332363 |
| | CA*F3743*6D*+MBVC1600**-1A*+TXV | | 35,000 | 26,600 | 17.5 | 13.0 | 1,220 | 10332372 |
| | CA*F3743*6D*+MBVC2000**-1A*+TXV | | 35,000 | 26,600 | 18.0 | 13.0 | 1,275 | 10332376 |
| | CA*F3743*6D*+TXV | G*VC80603B*B* | 34,000 | 25,800 | 17.0 | 13.0 | 1,100 | 10332382 |
| | CA*F3743*6D*+TXV | G*VC80604B*B* | 34,000 | 25,800 | 17.0 | 13.0 | 1,130 | 10332388 |
| | CA*F3743*6D*+TXV | G*VC80803B*B* | 34,000 | 25,800 | 17.0 | 13.0 | 1,100 | 10332394 |
| | CA*F3743*6D*+TXV | G*VC80804C*B* | 34,000 | 25,800 | 17.0 | 13.0 | 1,100 | 10332400 |
| | CA*F3743*6D*+TXV | G*VC80805C*B* | 35,000 | 26,600 | 17.0 | 13.0 | 1,200 | 10332405 |
| | CA*F3743*6D*+TXV | G*VC80805D*B* | 35,000 | 26,600 | 17.0 | 13.0 | 1,220 | 10332410 |
| | CA*F3743*6D*+TXV | G*VC81005C*B* | 35,000 | 26,600 | 17.0 | 13.0 | 1,200 | 10332414 |
| | CA*F3743*6D*+TXV | G*VC960403BNA* | 33,600 | 25,400 | 16.5 | 13.0 | 1,100 | 10332419 |
| | CA*F3743*6D*+TXV | G*VC960603BNA* | 33,600 | 25,400 | 16.0 | 12.5 | 1,140 | 10332425 |
| | CA*F3743*6D*+TXV | G*VC960803BNA* | 33,600 | 25,400 | 16.0 | 12.5 | 1,140 | 10332431 |
| CA*F3743*6D*+TXV | G*VC960804CNA* | 34,400 | 26,000 | 17.0 | 13.0 | 1,120 | 10332437 | |
| CA*F3743*6D*+TXV | G*VC961005CNA* | 34,400 | 26,000 | 17.0 | 13.0 | 1,120 | 10332443 | |
| CA*F3743*6D*+TXV | G*VC961205DNA* | 34,600 | 26,200 | 17.0 | 13.0 | 1,150 | 10332449 | |
| CA*F3743*6D*+TXV | G*VM970603BNA* | 33,600 | 25,400 | 16.0 | 12.5 | 1,140 | 10332454 | |

See Notes on Page 22.

| OUTDOOR UNIT | INDOOR UNITS | | COOLING RATINGS | | | | CFM | AHRI # |
|------------------------------|----------------------------------|----------------|--------------------|--------------------|-------------------|------------------|----------|----------|
| | COILS/AIR HANDLERS | FURNACES | TOTAL ¹ | SENS. ¹ | SEER ² | EER ³ | | |
| GSXC18 0361B* (Contd.) | CA*F3743*6D*+TXV | G*VM970803BNA* | 33,600 | 25,400 | 16.0 | 12.5 | 1,140 | 10332460 |
| | CA*F3743*6D*+TXV | G*VM970804CNA* | 34,400 | 26,000 | 17.0 | 13.0 | 1,120 | 10332466 |
| | CA*F3743*6D*+TXV | G*VM971005CNA* | 34,400 | 26,000 | 17.0 | 13.0 | 1,120 | 10332472 |
| | CA*F3743*6D*+TXV | G*VM971205DNA* | 34,600 | 26,200 | 17.0 | 13.0 | 1,150 | 10332478 |
| | CA*F4860*6D*+MBVC2000** -1A*+TXV | | 35,000 | 26,600 | 18.0 | 13.0 | 1,275 | 10332378 |
| | CA*F4961*6D*+EEP+TXV | | 34,000 | 25,800 | 15.5 | 12.5 | 1,050 | 10332289 |
| | CA*F4961*6D*+MBVC1600** -1A*+TXV | | 36,000 | 27,200 | 18.0 | 13.0 | 1,220 | 10332373 |
| | CA*F4961*6D*+MBVC2000** -1A*+TXV | | 36,000 | 27,200 | 18.0 | 13.5 | 1,275 | 10332377 |
| | CA*F4961*6D*+TXV | G*VC80603B*B* | 35,000 | 26,600 | 18.0 | 13.0 | 1,100 | 10332383 |
| | CA*F4961*6D*+TXV | G*VC80604B*B* | 35,000 | 26,600 | 18.0 | 13.2 | 1,130 | 10332389 |
| | CA*F4961*6D*+TXV | G*VC80803B*B* | 35,000 | 26,600 | 18.0 | 13.0 | 1,100 | 10332395 |
| | CA*F4961*6D*+TXV | G*VC80804C*B* | 35,000 | 26,600 | 18.0 | 13.0 | 1,100 | 10332401 |
| | CA*F4961*6D*+TXV | G*VC80805C*B* | 36,000 | 27,200 | 18.0 | 13.7 | 1,200 | 10332406 |
| | CA*F4961*6D*+TXV | G*VC80805D*B* | 36,000 | 27,200 | 18.0 | 13.5 | 1,220 | 10332411 |
| | CA*F4961*6D*+TXV | G*VC81005C*B* | 36,000 | 27,200 | 18.0 | 13.5 | 1,200 | 10332415 |
| | CA*F4961*6D*+TXV | G*VC960403BNA* | 34,000 | 25,800 | 17.0 | 13.0 | 1,100 | 10332420 |
| | CA*F4961*6D*+TXV | G*VC960603BNA* | 34,000 | 25,800 | 17.0 | 13.0 | 1,140 | 10332426 |
| | CA*F4961*6D*+TXV | G*VC960803BNA* | 34,000 | 25,800 | 16.5 | 13.0 | 1,140 | 10332432 |
| | CA*F4961*6D*+TXV | G*VC960804CNA* | 34,600 | 26,200 | 17.5 | 13.0 | 1,120 | 10332438 |
| | CA*F4961*6D*+TXV | G*VC961005CNA* | 34,600 | 26,200 | 18.0 | 13.0 | 1,120 | 10332444 |
| | CA*F4961*6D*+TXV | G*VC961205DNA* | 34,800 | 26,400 | 18.0 | 13.0 | 1,150 | 10332450 |
| | CA*F4961*6D*+TXV | G*VM970603BNA* | 34,000 | 25,800 | 17.0 | 13.0 | 1,140 | 10332455 |
| | CA*F4961*6D*+TXV | G*VM970803BNA* | 34,000 | 25,800 | 16.5 | 13.0 | 1,140 | 10332461 |
| | CA*F4961*6D*+TXV | G*VM970804CNA* | 34,600 | 26,200 | 17.5 | 13.0 | 1,120 | 10332467 |
| | CA*F4961*6D*+TXV | G*VM971005CNA* | 34,600 | 26,200 | 18.0 | 13.0 | 1,120 | 10332473 |
| | CA*F4961*6D*+TXV | G*VM971205DNA* | 34,800 | 26,400 | 18.0 | 13.0 | 1,150 | 10332479 |
| | CAPT4961*4A* | G*VC80603B*B* | 35,000 | 26,600 | 17.5 | 13.0 | 1,100 | 10332385 |
| | CAPT4961*4A* | G*VC80803B*B* | 35,000 | 26,600 | 17.5 | 13.0 | 1,100 | 10332397 |
| | CAPT4961*4A* | G*VC960403BNA* | 34,000 | 25,800 | 16.5 | 13.0 | 1,100 | 10332422 |
| | CAPT4961*4A* | G*VC960603BNA* | 34,000 | 25,800 | 17.0 | 13.0 | 1,140 | 10332428 |
| | CAPT4961*4A* | G*VC960803BNA* | 34,000 | 25,800 | 16.5 | 13.0 | 1,140 | 10332434 |
| | CAPT4961*4A* | G*VC960804CNA* | 34,600 | 26,200 | 17.0 | 13.0 | 1,120 | 10332439 |
| | CAPT4961*4A* | G*VC961005CNA* | 34,600 | 26,200 | 17.0 | 13.0 | 1,120 | 10332445 |
| | CAPT4961*4A* | G*VC961205DNA* | 34,800 | 26,400 | 17.0 | 13.0 | 1,150 | 10332451 |
| | CAPT4961*4A* | G*VM970603BNA* | 34,000 | 25,800 | 17.0 | 13.0 | 1,140 | 10332457 |
| | CAPT4961*4A* | G*VM970803BNA* | 34,000 | 25,800 | 16.5 | 13.0 | 1,140 | 10332463 |
| | CAPT4961*4A* | G*VM970804CNA* | 34,600 | 26,200 | 17.0 | 13.0 | 1,120 | 10332468 |
| | CAPT4961*4A* | G*VM971005CNA* | 34,600 | 26,200 | 17.0 | 13.0 | 1,120 | 10332474 |
| | CAPT4961*4A* | G*VM971205DNA* | 34,800 | 26,400 | 17.0 | 13.0 | 1,150 | 10332480 |
| | CHPF3642C6C*+MBVC1600** -1A*+TXV | | 35,000 | 26,600 | 17.0 | 13.0 | 1,220 | 10332374 |
| | CHPF3642D6C*+MBVC2000** -1A*+TXV | | 34,000 | 25,800 | 17.0 | 13.0 | 1,275 | 10332379 |
| | CHPF3743C6B*+MBVC1600** -1A*+TXV | | 35,000 | 26,600 | 17.0 | 13.0 | 1,220 | 10332375 |
| | CHPF3743C6B*+TXV | G*VC80603B*B* | 34,400 | 26,000 | 17.0 | 12.5 | 1,100 | 10332387 |
| | CHPF3743C6B*+TXV | G*VC80604B*B* | 35,000 | 26,600 | 17.0 | 13.0 | 1,130 | 10332391 |
| | CHPF3743C6B*+TXV | G*VC80803B*B* | 34,400 | 26,000 | 17.0 | 12.5 | 1,100 | 10332399 |
| | CHPF3743C6B*+TXV | G*VC80804C*B* | 34,400 | 26,000 | 17.0 | 12.5 | 1,100 | 10332402 |
| | CHPF3743C6B*+TXV | G*VC80805C*B* | 35,000 | 26,600 | 17.0 | 13.0 | 1,200 | 10332407 |
| | CHPF3743C6B*+TXV | G*VC81005C*B* | 35,000 | 26,600 | 17.0 | 13.0 | 1,200 | 10332416 |
| CHPF3743C6B*+TXV | G*VC960403BNA* | 34,000 | 25,800 | 16.5 | 13.0 | 1,100 | 10332424 | |
| CHPF3743C6B*+TXV | G*VC960603BNA* | 33,600 | 25,400 | 16.5 | 13.0 | 1,140 | 10332430 | |
| CHPF3743C6B*+TXV | G*VC960803BNA* | 33,600 | 25,400 | 16.5 | 13.0 | 1,140 | 10332436 | |
| CHPF3743C6B*+TXV | G*VC960804CNA* | 34,000 | 25,800 | 17.0 | 13.0 | 1,120 | 10332441 | |

See Notes on Page 22.

AHRI RATINGS (CONT.)

| OUTDOOR UNIT | INDOOR UNITS | | COOLING RATINGS | | | | CFM | AHRI # |
|------------------------------|---------------------------------|----------------|--------------------|--------------------|-------------------|------------------|----------|----------|
| | COILS/AIR HANDLERS | FURNACES | TOTAL ¹ | SENS. ¹ | SEER ² | EER ³ | | |
| GSXC18 0361B* (Contd.) | CHPF3743C6B*+TXV | G*VC961005CNA* | 34,000 | 25,800 | 17.0 | 13.0 | 1,120 | 10332447 |
| | CHPF3743C6B*+TXV | G*VM970603BNA* | 33,600 | 25,400 | 16.5 | 13.0 | 1,140 | 10332459 |
| | CHPF3743C6B*+TXV | G*VM970803BNA* | 33,600 | 25,400 | 16.5 | 13.0 | 1,140 | 10332465 |
| | CHPF3743C6B*+TXV | G*VM970804CNA* | 34,000 | 25,800 | 17.0 | 13.0 | 1,120 | 10332470 |
| | CHPF3743C6B*+TXV | G*VM971005CNA* | 34,000 | 25,800 | 17.0 | 13.0 | 1,120 | 10332476 |
| | CHPF3743D6B*+MBVC2000**-1A*+TXV | | 35,000 | 26,600 | 18.0 | 13.0 | 1,275 | 10332380 |
| | CHPF3743D6B*+TXV | G*VC80604B*B* | 35,000 | 26,600 | 17.5 | 13.0 | 1,130 | 10332392 |
| | CHPF3743D6B*+TXV | G*VC80804C*B* | 34,000 | 25,800 | 17.0 | 13.0 | 1,100 | 10332403 |
| | CHPF3743D6B*+TXV | G*VC80805C*B* | 35,000 | 26,600 | 17.0 | 13.0 | 1,200 | 10332408 |
| | CHPF3743D6B*+TXV | G*VC80805D*B* | 35,000 | 26,600 | 17.0 | 13.0 | 1,220 | 10332412 |
| | CHPF3743D6B*+TXV | G*VC81005C*B* | 35,000 | 26,600 | 17.0 | 13.0 | 1,200 | 10332417 |
| | CHPF4860D6D*+EEP+TXV | | 34,000 | 25,800 | 15.0 | 12.5 | 1,130 | 10332364 |
| | CHPF4860D6D*+MBVC2000**-1A*+TXV | | 36,000 | 27,200 | 18.0 | 13.5 | 1,275 | 10332381 |
| | CHPF4860D6D*+TXV | G*VC80604B*B* | 36,000 | 27,200 | 18.0 | 13.0 | 1,130 | 10332393 |
| | CHPF4860D6D*+TXV | G*VC80804C*B* | 35,000 | 26,600 | 17.5 | 13.0 | 1,100 | 10332404 |
| | CHPF4860D6D*+TXV | G*VC80805C*B* | 36,000 | 27,200 | 18.0 | 13.5 | 1,200 | 10332409 |
| | CHPF4860D6D*+TXV | G*VC80805D*B* | 36,000 | 27,200 | 18.0 | 13.5 | 1,220 | 10332413 |
| | CHPF4860D6D*+TXV | G*VC81005C*B* | 36,000 | 27,200 | 18.0 | 13.5 | 1,200 | 10332418 |
| | CHPF4860D6D*+TXV | G*VC960804CNA* | 34,600 | 26,200 | 17.5 | 13.0 | 1,120 | 10332442 |
| | CHPF4860D6D*+TXV | G*VC961005CNA* | 34,600 | 26,200 | 17.5 | 13.0 | 1,120 | 10332448 |
| | CHPF4860D6D*+TXV | G*VC961205DNA* | 34,800 | 26,400 | 17.5 | 13.0 | 1,150 | 10332453 |
| | CHPF4860D6D*+TXV | G*VM970804CNA* | 34,600 | 26,200 | 17.5 | 13.0 | 1,120 | 10332471 |
| | CHPF4860D6D*+TXV | G*VM971005CNA* | 34,600 | 26,200 | 17.5 | 13.0 | 1,120 | 10332477 |
| | CHPF4860D6D*+TXV | G*VM971205DNA* | 34,800 | 26,400 | 17.5 | 13.0 | 1,150 | 10332482 |
| | CSCF3642N6D*+TXV | G*VC80603B*B* | 34,400 | 26,000 | 17.0 | 13.0 | 1,100 | 10332386 |
| | CSCF3642N6D*+TXV | G*VC80803B*B* | 34,000 | 25,800 | 17.0 | 13.0 | 1,100 | 10332398 |
| | CSCF3642N6D*+TXV | G*VC960403BNA* | 34,000 | 25,800 | 16.5 | 13.0 | 1,100 | 10332423 |
| | CSCF3642N6D*+TXV | G*VC960603BNA* | 34,000 | 25,800 | 17.0 | 13.0 | 1,140 | 10332429 |
| | CSCF3642N6D*+TXV | G*VC960803BNA* | 34,000 | 25,800 | 16.5 | 13.0 | 1,140 | 10332435 |
| | CSCF3642N6D*+TXV | G*VC960804CNA* | 34,400 | 26,000 | 17.0 | 13.0 | 1,120 | 10332440 |
| | CSCF3642N6D*+TXV | G*VC961005CNA* | 34,200 | 25,800 | 17.0 | 13.0 | 1,120 | 10332446 |
| | CSCF3642N6D*+TXV | G*VM970603BNA* | 34,000 | 25,800 | 17.0 | 13.0 | 1,140 | 10332458 |
| | CSCF3642N6D*+TXV | G*VM970803BNA* | 34,000 | 25,800 | 16.5 | 13.0 | 1,140 | 10332464 |
| CSCF3642N6D*+TXV | G*VM970804CNA* | 34,400 | 26,000 | 17.0 | 13.0 | 1,120 | 10332469 | |
| CSCF3642N6D*+TXV | G*VM971005CNA* | 34,200 | 25,800 | 17.0 | 13.0 | 1,120 | 10332475 | |
| CSCF4860N6D*+EEP+TXV | | 34,000 | 25,800 | 15.0 | 12.5 | 1,130 | 10332365 | |
| CSCF4860N6D*+TXV | G*VC961205DNA* | 34,600 | 26,200 | 17.5 | 13.0 | 1,150 | 10332452 | |
| CSCF4860N6D*+TXV | G*VM971205DNA* | 34,600 | 26,200 | 17.5 | 13.0 | 1,150 | 10332481 | |
| GSXC18 0481B* | AVPTC48C14A* | | 46,000 | 34,800 | 16.5 | 12.5 | 1,450 | 10332486 |
| | AVPTC48D14A* | | 48,000 | 36,400 | 18.0 | 13.0 | 1,700 | 10332487 |
| | AVPTC59C14A* | | 46,000 | 34,800 | 16.5 | 12.5 | 1,490 | 10332488 |
| | AVPTC61D14A* | | 48,000 | 36,400 | 18.0 | 13.0 | 1,720 | 10332489 |
| | CA*F4860*6D*+EEP+TXV | | 47,000 | 35,600 | 15.0 | 12.0 | 1,420 | 10332483 |
| | CA*F4961*6D*+EEP+TXV | | 48,000 | 36,400 | 15.5 | 12.5 | 1,400 | 10332290 |
| | CA*F4961*6D*+MBVC1600**-1A*+TXV | | 47,000 | 35,600 | 17.5 | 13.0 | 1,560 | 10332490 |
| | CA*F4961*6D*+MBVC2000**-1A*+TXV | | 48,000 | 36,400 | 18.0 | 13.5 | 1560 | 10332492 |
| | CA*F4961*6D*+TXV | G*VC80805C*B* | 48,000 | 36,400 | 18.0 | 13.3 | 1,400 | 10332494 |
| | CA*F4961*6D*+TXV | G*VC80805D*B* | 48,000 | 36,400 | 17.0 | 13.0 | 1,450 | 10332498 |
| | CA*F4961*6D*+TXV | G*VC81005C*B* | 48,000 | 36,400 | 17.0 | 13.0 | 1,440 | 10332502 |
| | CA*F4961*6D*+TXV | G*VC960804CNA* | 48,000 | 36,400 | 17.0 | 12.8 | 1,525 | 10332506 |
| | CA*F4961*6D*+TXV | G*VC961005CNA* | 48,000 | 36,400 | 18.0 | 13.0 | 1,450 | 10332510 |
| | CA*F4961*6D*+TXV | G*VC961005DNA* | 48,000 | 36,400 | 18.0 | 13.2 | 1,400 | 10332514 |

See Notes on Page 22.

| OUTDOOR UNIT | INDOOR UNITS | | COOLING RATINGS | | | | CFM | AHRI # |
|------------------------------|---------------------------------|----------------|--------------------|--------------------|-------------------|------------------|----------|----------|
| | COILS/AIR HANDLERS | FURNACES | TOTAL ¹ | SENS. ¹ | SEER ² | EER ³ | | |
| GSXC18 0481B* (Contd.) | CA*F4961*6D*+TXV | G*VC961205DNA* | 48,000 | 36,400 | 18.0 | 13.0 | 1,400 | 10332518 |
| | CA*F4961*6D*+TXV | G*VM970804CNA* | 48,000 | 36,400 | 17.0 | 12.8 | 1,525 | 10332522 |
| | CA*F4961*6D*+TXV | G*VM971005CNA* | 48,000 | 36,400 | 18.0 | 13.0 | 1,450 | 10332526 |
| | CA*F4961*6D*+TXV | G*VM971205DNA* | 48,000 | 36,400 | 18.0 | 13.0 | 1,400 | 10332530 |
| | CAPT4961*4A* | G*VC80805C*B* | 48,000 | 36,400 | 18.0 | 13.3 | 1,400 | 10332495 |
| | CAPT4961*4A* | G*VC80805D*B* | 48,000 | 36,400 | 17.0 | 13.0 | 1,450 | 10332499 |
| | CAPT4961*4A* | G*VC81005C*B* | 48,000 | 36,400 | 17.0 | 13.0 | 1,440 | 10332503 |
| | CAPT4961*4A* | G*VC960804CNA* | 48,000 | 36,400 | 17.0 | 12.8 | 1,525 | 10332507 |
| | CAPT4961*4A* | G*VC961005CNA* | 48,000 | 36,400 | 18.0 | 13.0 | 1,450 | 10332511 |
| | CAPT4961*4A* | G*VC961005DNA* | 48,000 | 36,400 | 18.0 | 13.2 | 1,400 | 10332515 |
| | CAPT4961*4A* | G*VC961205DNA* | 48,000 | 36,400 | 18.0 | 13.0 | 1,400 | 10332519 |
| | CAPT4961*4A* | G*VM970804CNA* | 48,000 | 36,400 | 17.0 | 12.8 | 1,525 | 10332523 |
| | CAPT4961*4A* | G*VM971005CNA* | 48,000 | 36,400 | 18.0 | 13.0 | 1,450 | 10332527 |
| | CAPT4961*4A* | G*VM971205DNA* | 48,000 | 36,400 | 18.0 | 13.0 | 1,400 | 10332531 |
| | CHPF4860D6D*+EEP+TXV | | 47,500 | 36,000 | 15.0 | 12.0 | 1,420 | 10332484 |
| | CHPF4860D6D*+MBVC1600**-1A*+TXV | | 47,000 | 35,600 | 17.5 | 12.8 | 1,560 | 10332491 |
| | CHPF4860D6D*+MBVC2000**-1A*+TXV | | 48,000 | 36,400 | 18.0 | 13.3 | 1560 | 10332493 |
| | CHPF4860D6D*+TXV | G*VC80805C*B* | 48,000 | 36,400 | 17.5 | 13.0 | 1400 | 10332496 |
| | CHPF4860D6D*+TXV | G*VC80805D*B* | 48,000 | 36,400 | 17.0 | 13.0 | 1,450 | 10332500 |
| | CHPF4860D6D*+TXV | G*VC81005C*B* | 47,500 | 36,000 | 17.0 | 12.2 | 1,440 | 10332504 |
| | CHPF4860D6D*+TXV | G*VC960804CNA* | 47,500 | 36,000 | 16.5 | 12.2 | 1,525 | 10332508 |
| | CHPF4860D6D*+TXV | G*VC961005CNA* | 47,500 | 36,000 | 17.0 | 12.8 | 1,450 | 10332512 |
| | CHPF4860D6D*+TXV | G*VC961005DNA* | 47,500 | 36,000 | 17.0 | 12.8 | 1,400 | 10332516 |
| | CHPF4860D6D*+TXV | G*VC961205DNA* | 47,500 | 36,000 | 17.5 | 12.8 | 1,400 | 10332520 |
| | CHPF4860D6D*+TXV | G*VM970804CNA* | 47,500 | 36,000 | 16.5 | 12.2 | 1,525 | 10332524 |
| | CHPF4860D6D*+TXV | G*VM971005CNA* | 47,500 | 36,000 | 17.0 | 12.8 | 1,450 | 10332528 |
| | CHPF4860D6D*+TXV | G*VM971205DNA* | 47,500 | 36,000 | 17.5 | 12.8 | 1,400 | 10332532 |
| | CSCF4860N6D*+EEP+TXV | | 47,500 | 36,000 | 15.5 | 12.5 | 1,420 | 10332485 |
| | CSCF4860N6D*+TXV | G*VC80805C*B* | 47,000 | 35,600 | 17.0 | 13.0 | 1,400 | 10332497 |
| | CSCF4860N6D*+TXV | G*VC80805D*B* | 47,000 | 35,600 | 17.0 | 13.0 | 1,450 | 10332501 |
| | CSCF4860N6D*+TXV | G*VC81005C*B* | 47,000 | 35,600 | 17.0 | 12.5 | 1,440 | 10332505 |
| | CSCF4860N6D*+TXV | G*VC960804CNA* | 47,000 | 35,600 | 16.5 | 12.2 | 1,525 | 10332509 |
| | CSCF4860N6D*+TXV | G*VC961005CNA* | 47,000 | 35,600 | 17.0 | 12.8 | 1,450 | 10332513 |
| CSCF4860N6D*+TXV | G*VC961005DNA* | 47,000 | 35,600 | 17.0 | 12.8 | 1,400 | 10332517 | |
| CSCF4860N6D*+TXV | G*VC961205DNA* | 47,000 | 35,600 | 17.5 | 12.8 | 1,400 | 10332521 | |
| CSCF4860N6D*+TXV | G*VM970804CNA* | 47,000 | 35,600 | 16.5 | 12.2 | 1,525 | 10332525 | |
| CSCF4860N6D*+TXV | G*VM971005CNA* | 47,000 | 35,600 | 17.0 | 12.8 | 1,450 | 10332529 | |
| CSCF4860N6D*+TXV | G*VM971205DNA* | 47,000 | 35,600 | 17.5 | 12.8 | 1400 | 10332533 | |
| GSXC18 0601B* | AVPTC61D14A* | | 56,500 | 40,600 | 16.5 | 13.0 | 1,660 | 10510216 |
| | CA*F4961*6D*+EEP+TXV | | 56,000 | 40,200 | 15.0 | 12.0 | 1,480 | 10510212 |
| | CA*F4961*6D*+MBVC2000**-1A*+TXV | | 58,000 | 41,600 | 17.0 | 13.0 | 1,720 | 10510217 |
| | CA*F4961*6D*+TXV | G*VC961005CNA* | 55,000 | 39,600 | 16.0 | 12.5 | 1,550 | 10510219 |
| | CA*F4961*6D*+TXV | G*VC961005DNA* | 54,500 | 39,200 | 16.0 | 12.5 | 1,610 | 10510223 |
| | CA*F4961*6D*+TXV | G*VC961205DNA* | 55,000 | 39,600 | 16.0 | 12.5 | 1,600 | 10510227 |
| | CA*F4961*6D*+TXV | G*VC81005C*B* | 56,500 | 40,600 | 16.0 | 12.0 | 1,600 | 10510231 |
| | CA*F4961*6D*+TXV | G*VM971005CNA* | 55,000 | 39,600 | 16.0 | 12.5 | 1,550 | 10510235 |
| | CA*F4961*6D*+TXV | G*VM971205DNA* | 55,000 | 39,600 | 16.0 | 12.5 | 1,600 | 10510239 |
| | CAPT4961*4A* | G*VC961005CNA* | 55,000 | 39,600 | 16.0 | 12.5 | 1,550 | 10510220 |
| | CAPT4961*4A* | G*VC961005DNA* | 54,500 | 39,200 | 16.0 | 12.5 | 1,610 | 10510224 |
| | CAPT4961*4A* | G*VC961205DNA* | 55,000 | 39,600 | 16.0 | 12.5 | 1,600 | 10510228 |
| | CAPT4961*4A* | G*VC81005C*B* | 56,500 | 40,600 | 16.0 | 12.0 | 1,600 | 10510232 |
| | CAPT4961*4A* | G*VM971005CNA* | 55,000 | 39,600 | 16.0 | 12.5 | 1,550 | 10510236 |

See Notes on Page 22.

| OUTDOOR UNIT | INDOOR UNITS | | COOLING RATINGS | | | | CFM | AHRI # |
|------------------------------|---------------------------------|----------------|--------------------|--------------------|-------------------|------------------|-------|----------|
| | COILS/AIR HANDLERS | FURNACES | TOTAL ¹ | SENS. ¹ | SEER ² | EER ³ | | |
| GSXC18 0601B* (Contd.) | CAPT4961*4A* | G*VM971205DNA* | 55,000 | 39,600 | 16.0 | 12.5 | 1,600 | 10510240 |
| | CHPF4860D6D*+EEP+TXV | | 56,000 | 40,200 | 15.0 | 12.0 | 1,500 | 10510214 |
| | CHPF4860D6D*+MBVC2000**-1A*+TXV | | 57,000 | 41,000 | 16.5 | 12.5 | 1,720 | 10510218 |
| | CHPF4860D6D*+TXV | G*VC961005CNA* | 55,000 | 39,600 | 16.0 | 12.5 | 1,550 | 10510221 |
| | CHPF4860D6D*+TXV | G*VC961005DNA* | 54,500 | 39,200 | 16.0 | 12.5 | 1,610 | 10510225 |
| | CHPF4860D6D*+TXV | G*VC961205DNA* | 55,000 | 39,600 | 16.0 | 12.5 | 1,600 | 10510229 |
| | CHPF4860D6D*+TXV | G*VC81005C*B* | 56,500 | 40,600 | 16.0 | 11.8 | 1,600 | 10510233 |
| | CHPF4860D6D*+TXV | G*VM971005CNA* | 55,000 | 39,600 | 16.0 | 12.5 | 1,550 | 10510237 |
| | CHPF4860D6D*+TXV | G*VM971205DNA* | 55,000 | 39,600 | 16.0 | 12.5 | 1,600 | 10510241 |
| | CSCF4860N6D*+EEP+TXV | | 55,000 | 40,000 | 15.0 | 12.0 | 1,500 | 10510215 |
| | CSCF4860N6D*+TXV | G*VC961005CNA* | 55,000 | 39,600 | 16.0 | 12.5 | 1,550 | 10510222 |
| | CSCF4860N6D*+TXV | G*VC961005DNA* | 54,500 | 39,200 | 16.0 | 12.5 | 1,610 | 10510226 |
| | CSCF4860N6D*+TXV | G*VC961205DNA* | 55,000 | 39,600 | 16.0 | 12.5 | 1,600 | 10510230 |
| | CSCF4860N6D*+TXV | G*VC81005C*B* | 56,000 | 40,400 | 16.0 | 11.8 | 1,600 | 10510234 |
| | CSCF4860N6D*+TXV | G*VM971005CNA* | 55,000 | 39,600 | 16.0 | 12.5 | 1,550 | 10510238 |
| | CSCF4860N6D*+TXV | G*VM971205DNA* | 55,000 | 39,600 | 16.0 | 12.5 | 1,600 | 10510242 |

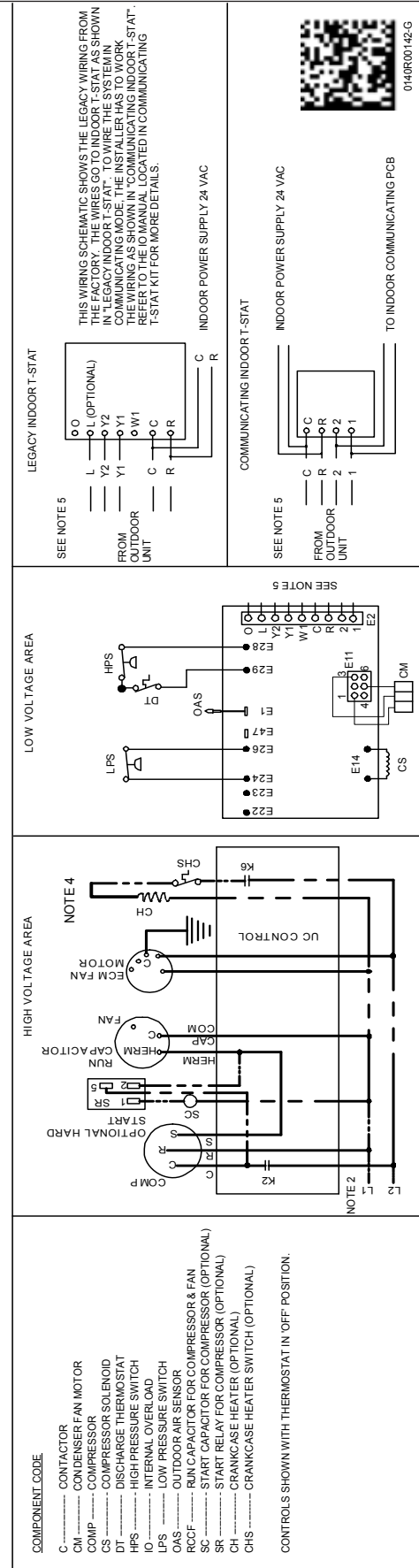
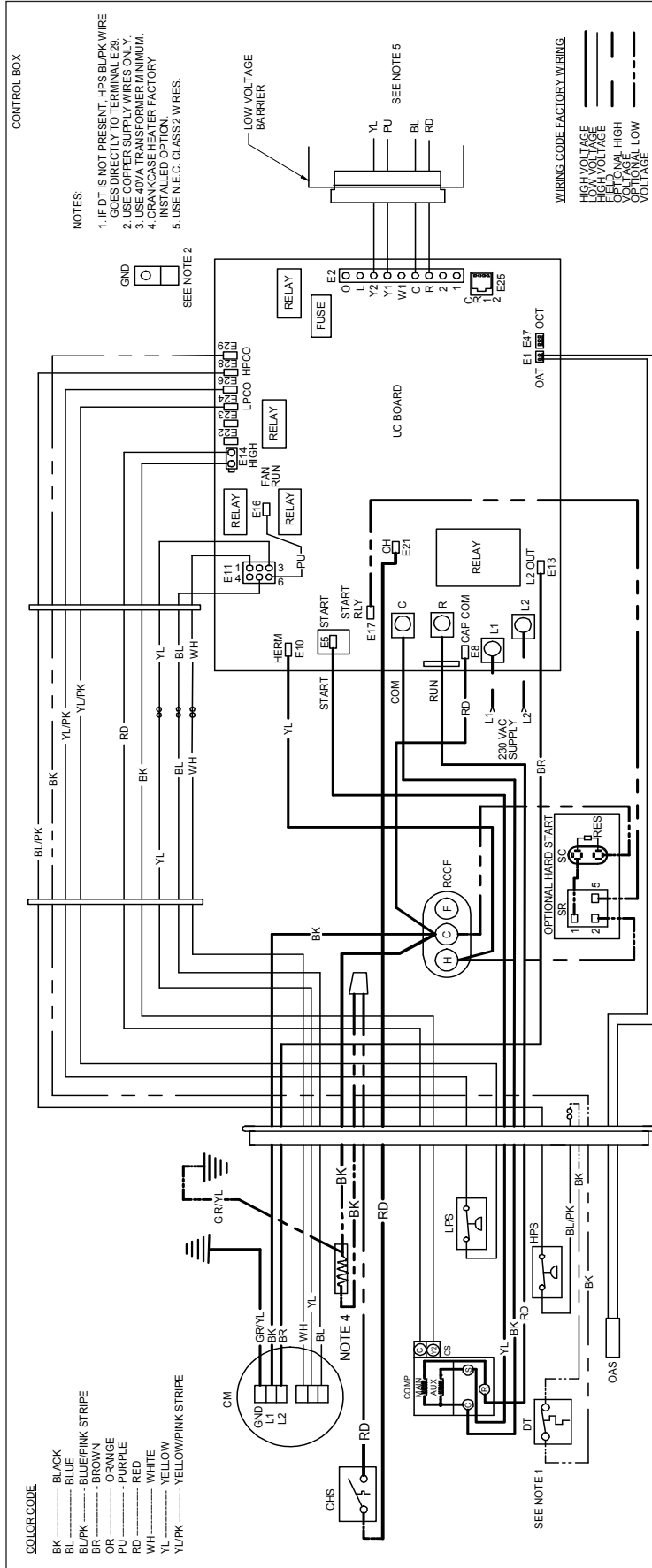
¹ BTU/h

² Seasonal Energy Efficiency Ratio; Certified per AHRI 210/240 @ 80°F/ 67°F/ 95°F

³ Energy Efficiency Ratio @ 80°F/ 67°F/ 95°F

NOTES

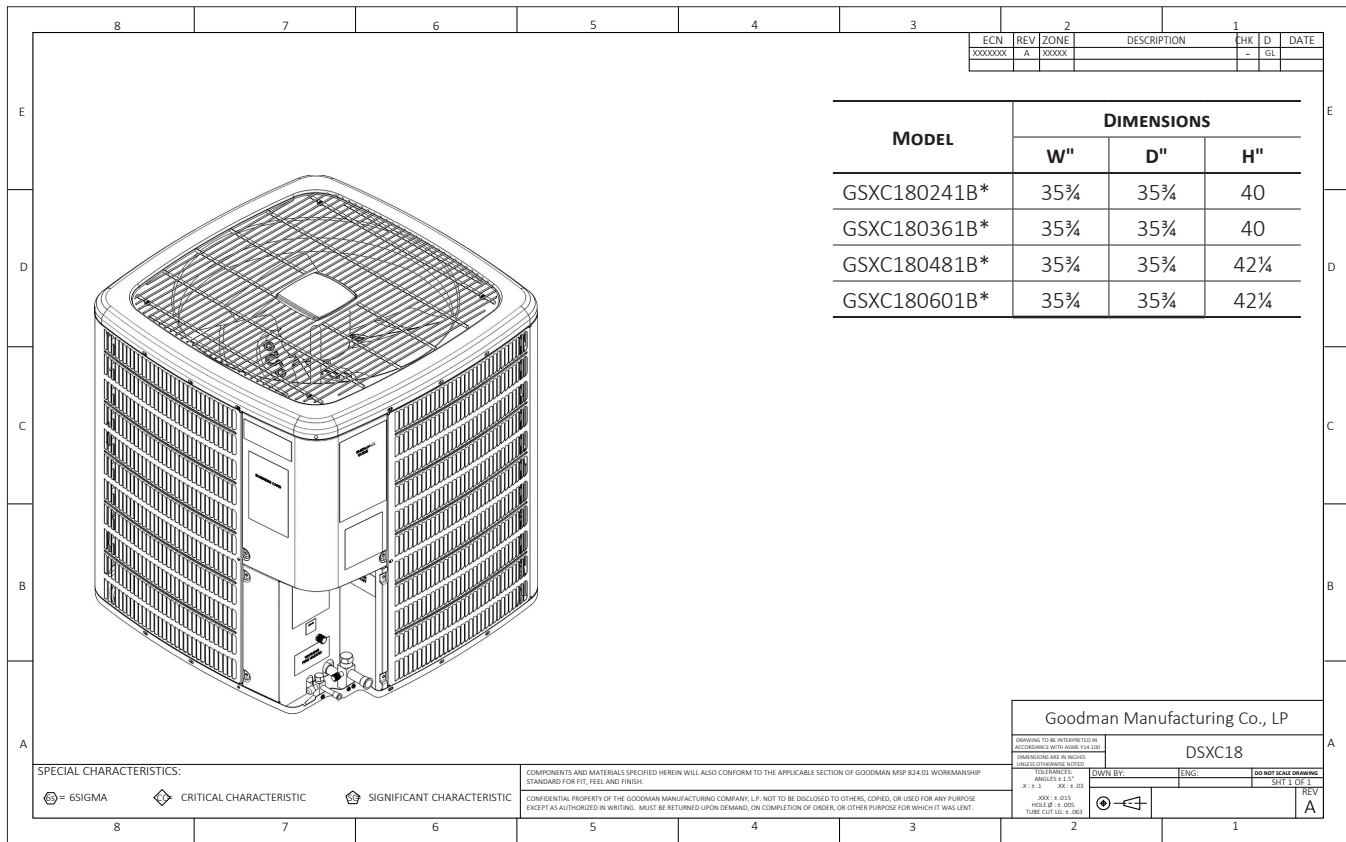
- Always check the S&R plate for electrical data on the unit being installed.
- When matching the outdoor unit to the indoor unit, use the piston supplied with the outdoor unit or that specified on the piston kit chart supplied with the indoor unit.
- EEP - Order from Service Dept. Part No. B13707-38 or new Solid State Board B13707-35S. Part No. B13707-38 is not interchangeable with B13707-35S. The Goodman brand gas furnace contains the EEP cooling time delay.



WARNING

High Voltage: Disconnect all power before servicing or installing this unit. Multiple power sources may be present. Failure to do so may cause property damage, personal injury, or death.

DIMENSIONS



ACCESSORIES

| MODEL | DESCRIPTION | GSXC18 024 | GSXC18 036 | GSXC18 048 | GSXC18 060 |
|----------|---------------------------------------|---------------|---------------|---------------|---------------|
| ABK-20 | Anchor Bracket Kit | X | X | X | X |
| ASC-01 | Anti-Short Cycle Kit | X | X | X | X |
| B1141643 | 24V Transformer | X | X | X | X |
| CSR-U-1 | Hard-start Kit | X | X | | |
| CSR-U-2 | Hard-start Kit | | | X | |
| CSR-U-3 | Hard-start Kit | | | | X |
| FSK01A | Freeze Protection Kit | X | X | X | X |
| LSK02A | Liquid Line Solenoid Valve | X | X | X | X |
| OT18-60A | Outdoor Thermostat/Lockout Thermostat | X | X | X | X |
| TX2N4 | TXV kit | X | | | |
| TX3N4 | TXV kit | | X | | |
| TX5N4 | TXV kit | | | X | X |

° Contains 20 brackets; four brackets needed to anchor unit to pad

1 This component is included in the CTK01AA communicating thermostat kit.

2 Installed on indoor coil

3 Available in 24V legacy mode only. This feature is integrated in the communicating mode.

4 Condensing units and heat pumps with reciprocating compressors require the use of start-assist components when used in conjunction with an indoor coil using a non-bleed thermal expansion valve refrigerant metering device or liquid line solenoid kit. The TXV should always be sized based on the tonnage of the outdoor unit.