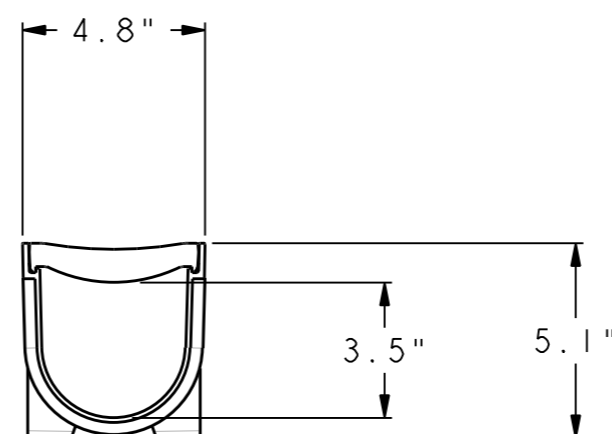
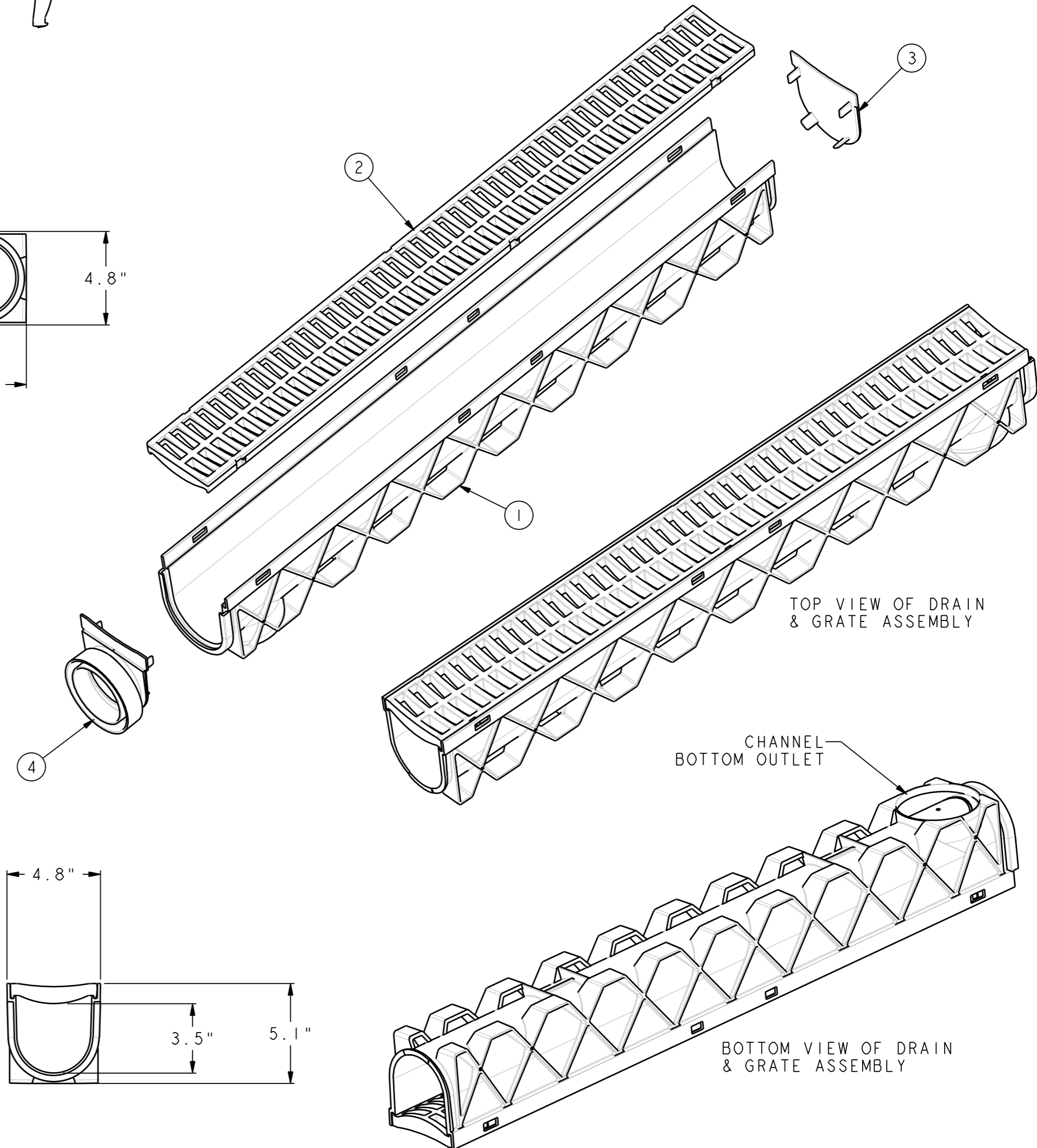
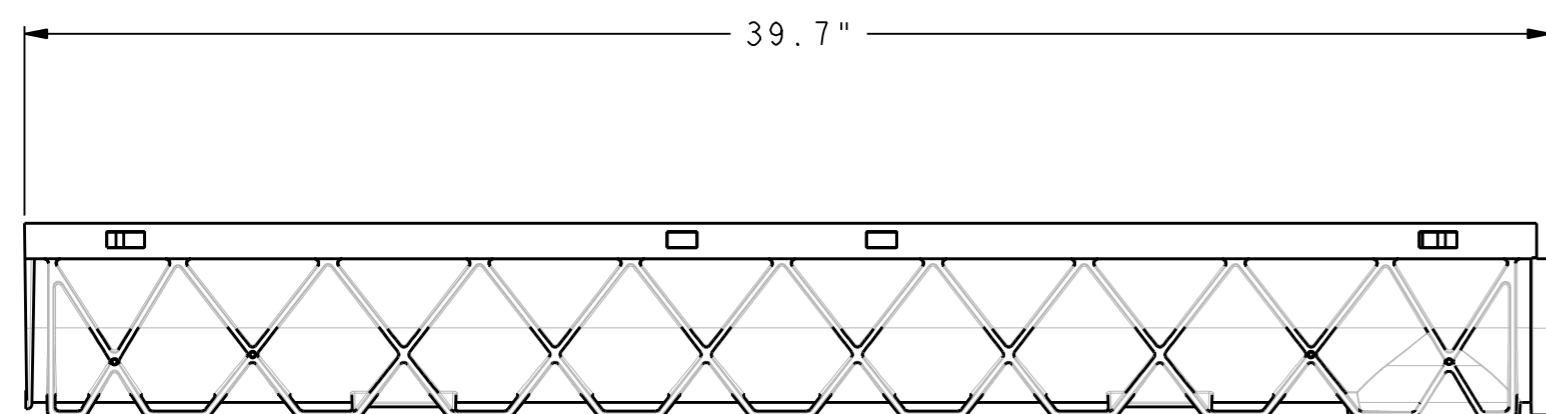
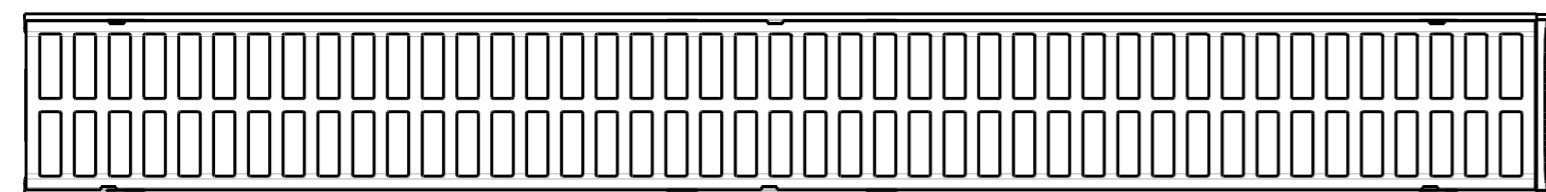
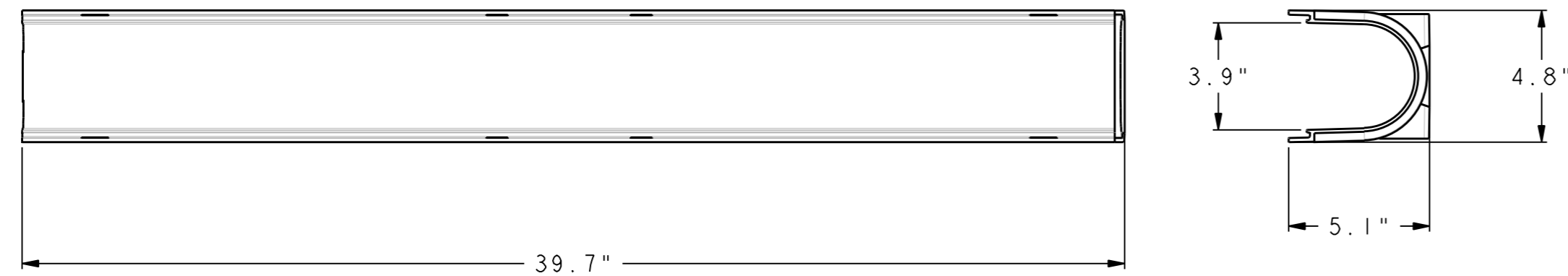
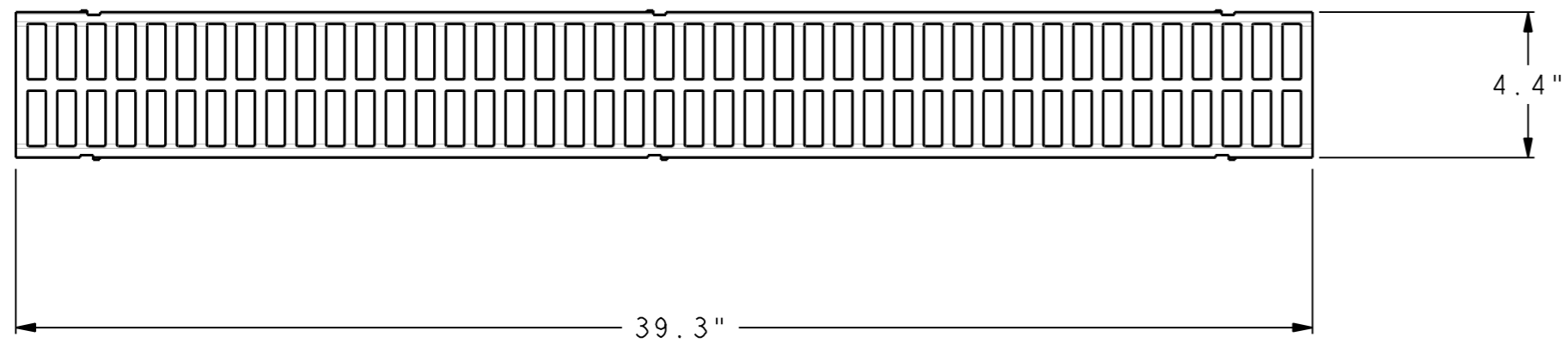


ITEM	DESCRIPTION	QTY	REMARKS
1	STORM DRAIN-"U" CHANNEL	1	POLYPROPYLENE
2	GRATE-CHANNEL	1	POLYPROPYLENE
3	END CAP	1	ABS
4	END OUTLET	1	ABS



NOTES: DIMENSIONS NOMINAL-INCHES

SUITABLE PVC PIPES	NOMINAL SIZE	STANDARD	CLASSIFICATION
	3"	ASTM D2949	SCH 30 THIN WALL
	3"	ASTM D2729	DWV
	4"	ASTM D2729	DWV
	4"	ASTM D3034	SDR35, SDR26

CONNECTION POINT
 END OUTLET - PVC SOLVENT GLUE
 END OUTLET - PVC SOLVENT GLUE
 END OUTLET - PVC SOLVENT GLUE
 CHANNEL BOTTOM OUTLET - SILICONE SEALANT
 END OUTLET - PVC SOLVENT GLUE
 CHANNEL BOTTOM OUTLET - SILICONE SEALANT

RELN PTY LTD	
TITLE: RELN STORM DRAIN-USA	
DRAWING No.: A2-SD-USA-GA	
APPROVED BY.: O. LUKE	DATE: 20 MARCH 08