

PB270-2 BATH FAN W/ 2X GRILL

Item no. 40572

Document type: **Product card**
Document date: **2018-12-12**
Generated by: **Systemair Online Catalogue**



Description

- Powerful, efficient 270 cfm fan
- Remote mount fan ensures quiet operation
- Unobtrusive grille makes for better aesthetics

Application

Dual grille Premium Bath fans can effectively ventilate two areas of the bath or two different bathrooms. Small 7" ceiling grilles (with or without lights) can be easily positioned directly over showers, whirlpool tubs, steam showers, toilet or vanity. The fan motor is installed away from the living area for super quiet operation. PB fans are designed for intermittent or continuous operation to meet **ASHRAE Standard 62.2**.

Model

270 cfm fan, two ceiling grilles, grille housings with dampers and Y-adapter (4"x4"x6). Uses 4" and 6" flexible ducts. UL listed for wet locations. Performance ratings do not include the effects of appurtenances (accessories).

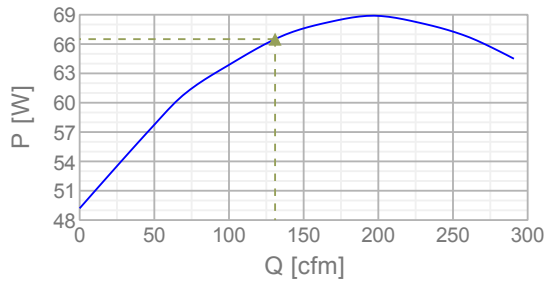
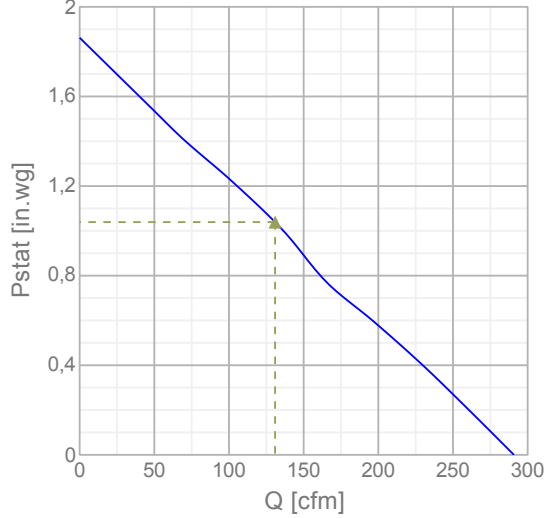


Technical parameters

Nominal data	
Voltage	120 V
Frequency	60 Hz
Phase	1 ~
Input power (P1)	70 W
Current	0,58 A
Max. airflow	305 cfm
Fan impeller speed	2703 r.p.m.
Weight	7,53 kg
Temperature data	
Max. temperature of transported air	60 °C
Protection / Classification	
Insulation class	B
Enclosure class, motor	IP44

Performance

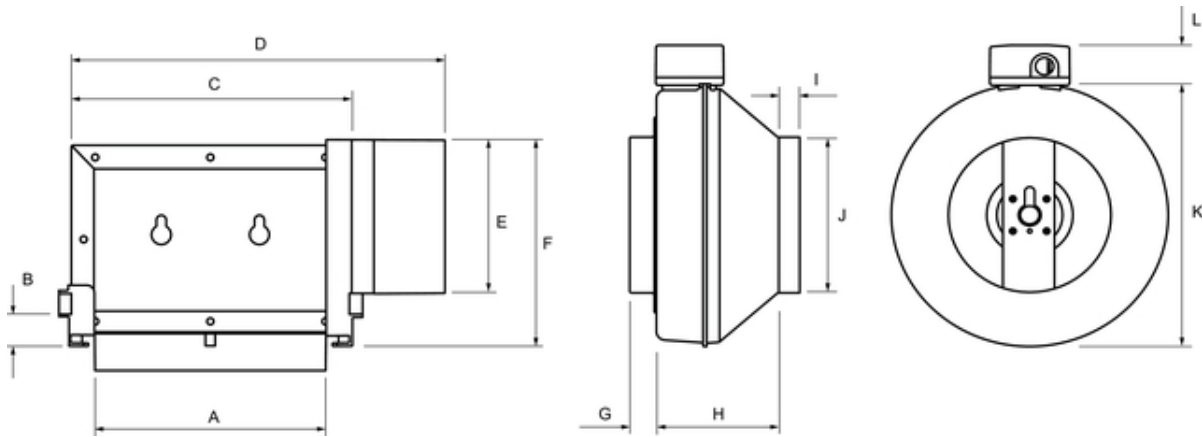
Diagrams



Max efficiency

Hydraulic data	
▲ Working air flow	131 cfm
▲ Working static pressure	1,04 in.wg
▲ Power	66,5 W
Speed	2675 r.p.m.
Current	0,557 A
SFP	1,08 kW/(m³/s)
Voltage	120 V

Dimensions



Model	A	B	C	D	E	F	G	H	I	J	K	L
PB 270-2												
PB 270H-2	5 15/16 (151)	3/4 (19)	7 3/8 (187)	9 3/4 (248)	4 (101)	5 3/8 (137)	1 (25)	6 1/4 (159)	7/8 (22)	6 (152)	11 3/8 (289)	2 1/2 (64)
PB 270L7-2												
PB 270L10-2												

Dimensions in inches (mm)

Accessories


Electric accessories


[FD60EM Electronic Timer Switch \(411386\)](#)

[VT20A Pgrm Fan Aux Ctrl \(45385\)](#)

[VT20M Pgrm Fan Main Ctrl \(45386\)](#)

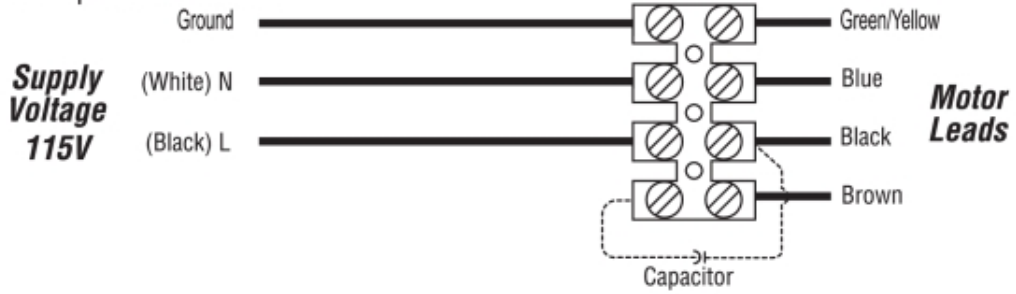
Documentation

 [484089 PB Series OIPM EN FR ES.pdf \(2,04MB\)](#)

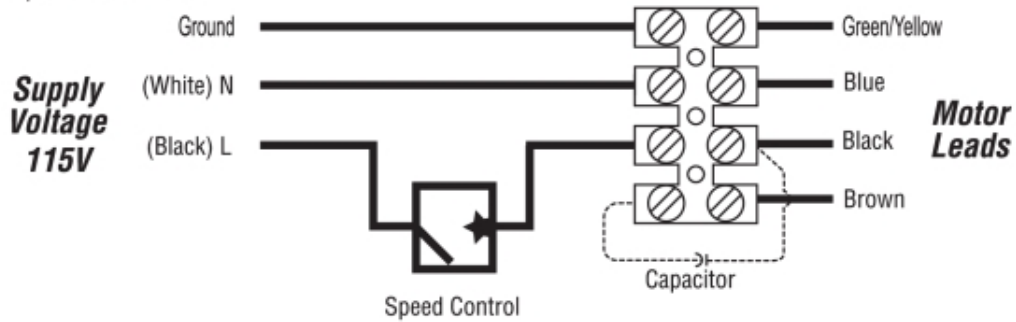
 [E1575 Ventilation Solutions Bathroom.pdf \(10,17MB\)](#)

Wiring

Without Motor Speed Controller



With Motor Speed Controller



Multiple Location Switching Wiring Diagram

