

149-M30

30" Mirror

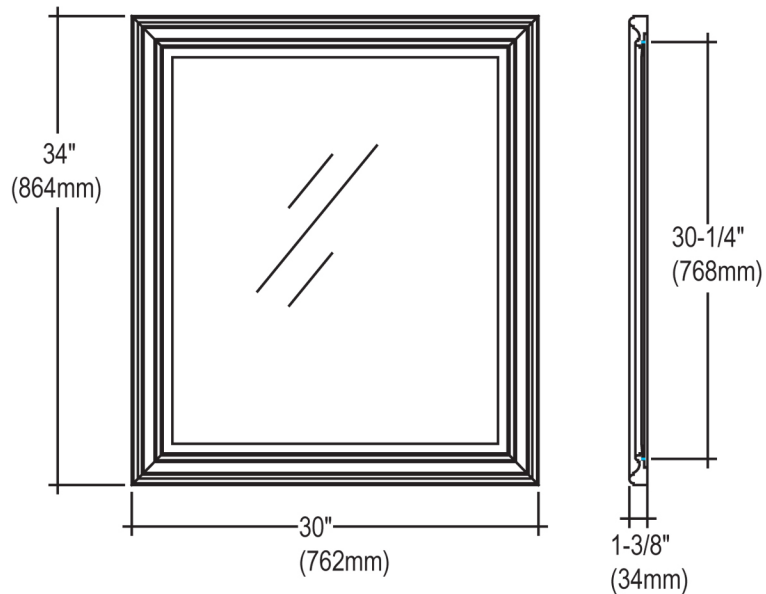
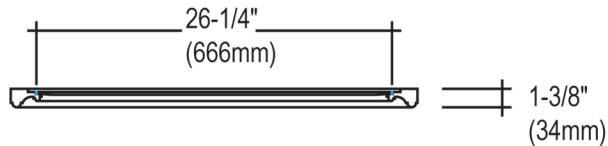
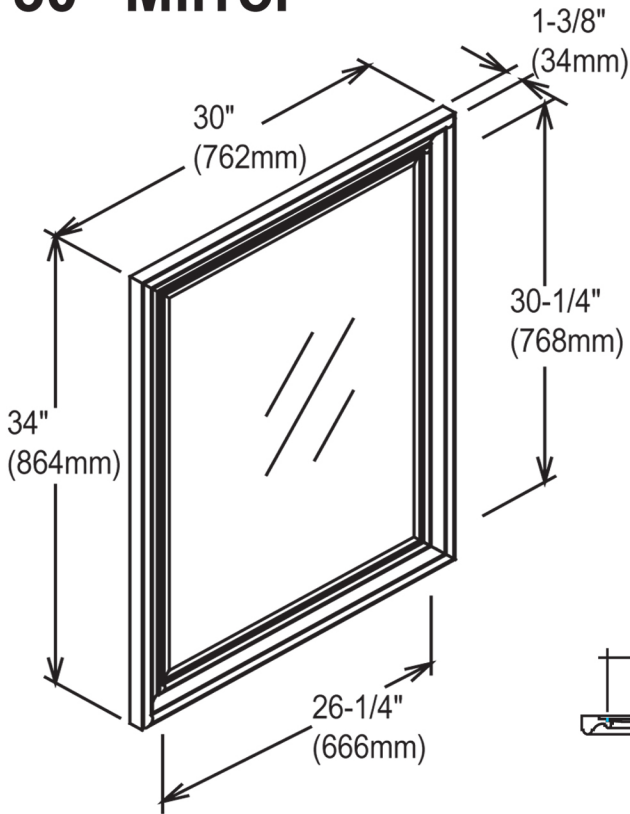
SPECIFICATION SHEET

Features

Mirror : 5/8" Beveled edge
 Materials: Poplar solids
 Mounting: Wire
 Glass: 30-1/4"X26-1/4"

Colors/ Finish

149-Brandy



Date:2012-02-29