

PRODUCT SPECIFICATIONS

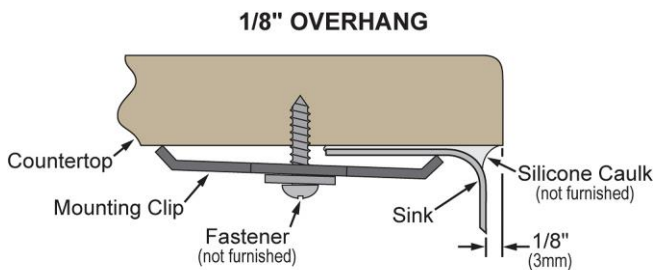
Elkay Pursuit Stainless Steel 21-1/2" x 18-1/2" x 10", Single Bowl Undermount Laundry Sink. Sink is manufactured from 16 gauge 316L Stainless Steel with a Polished Satin finish, Rear Center drain placement, and Sound Guard.

Installation Type:	Undermount
Material:	316L Stainless Steel
Finish:	Polished Satin
Gauge:	16
Sound Deadening:	Sound Guard
Number of Bowls:	1
Sink Dimensions:	21-1/2" x 18-1/2" x 10"
Bowl 1 Dimensions:	19" x 16" x 10"
Drain Size:	3-1/2" (89mm)
Drain Location:	Rear Center
Minimum Cabinet Size:	27"
Mounting Hardware:	Part # 54300008 included
Template Included:	Yes
Cutout Template #:	1000001300

Template is available for download at [elkay.com](#)

Special Note: Made with Type 316 Stainless Steel

Installation Profile:



Designed to affix to the underside of any solid surface countertop.

OPTIONAL ACCESSORIES

Bottom Grid:	LKFOBG1916SS
Cutting Board:	LKCBF1916HW
Drain:	LK335, LK372
Rinsing Basket:	LKFRB1916SS, LKWERBSS
Sinkmate:	LKSMHSL



AMERICAN PRIDE. A LIFETIME TRADITION.
Like your family, the Elkay family has values and traditions that endure. For almost a century, Elkay has been a family-owned and operated company, providing thousands of jobs that support our families and communities.



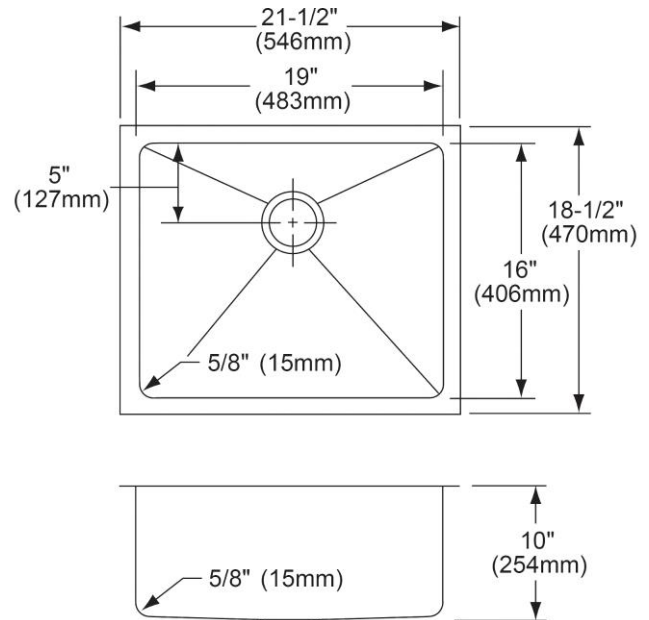
Sinks are listed by IAPMO[®] as meeting the applicable requirements of the Uniform Plumbing Code[®], International Plumbing Code[®], and National Plumbing Code of Canada.

Product Compliance: ASME A112.19.3/CSA B45.4

[Clean and Care Manual \(PDF\)](#)

[Installation Instructions \(PDF\)](#)

[Limited Lifetime Warranty \(PDF\)](#)



PART: _____ QTY: _____

PROJECT: _____

CONTACT: _____

DATE: _____

NOTES: _____

APPROVAL: _____

In keeping with our policy of continuing product improvement, Elkay reserves the right to change product specifications without notice. Please visit [elkay.com](#) for the most current version of Elkay product specification sheets. This specification describes an Elkay product with design, quality, and functional benefits to the user. When making a comparison of other producers' offerings, be certain these features are not overlooked.