

Single-Lever Kitchen Faucet Models LKE4100, LKE4100F, LKE4101, and LKLF4100

FEATURES

Model LKE4100

- Three hole, single-lever top mount kitchen faucet
 - Three 1-1/2" (38.8mm) diameter faucet holes required
 - Maximum counter top thickness is 1" (25.4mm)
- Temperature and flow controlled by one movement of the single-lever handle
- Tubular, 360° swing spout with restricted flow aerator and brass escutcheon
- Highly polished, chrome plated finish
- Removable cartridge
- 3/8" (10mm) O.D.; 10" (254mm) LONG; copper tube connections
- Ship Wt. 2-3/4 lbs. (1.2 Kg)
- Maximum flow rate
 - 2.5 GPM/9.5 L/min at 80 P.S.I.G.
 - 2.2 GPM/8.3 L/min at 60 P.S.I.G.

Model LKE4100F

- Same as LKE4100 except with 1/2" (13mm) I.P. adapters
- Ship Wt. 3 lbs. (1.4 Kg)

Model LKE4101

- Same as LKE4100 except with chrome retractable spray head and hose
- Requires four faucet holes
- Ship Wt. 3-1/4 lbs. (1.5 Kg)

Model LKLF4100

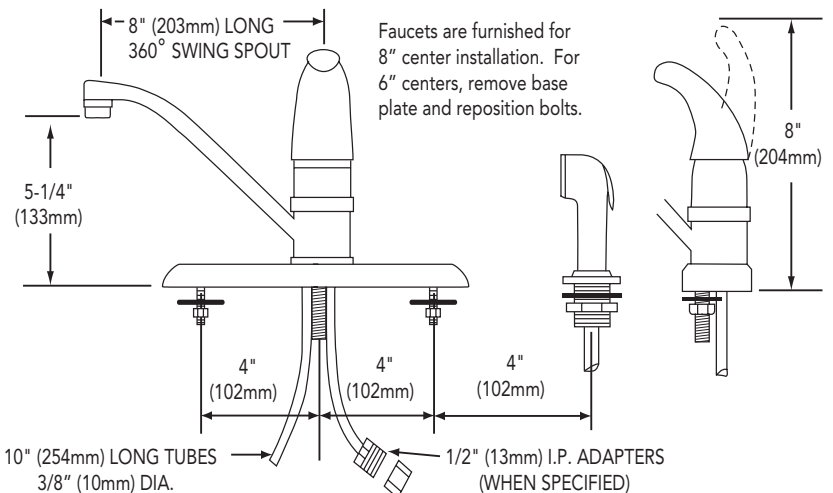
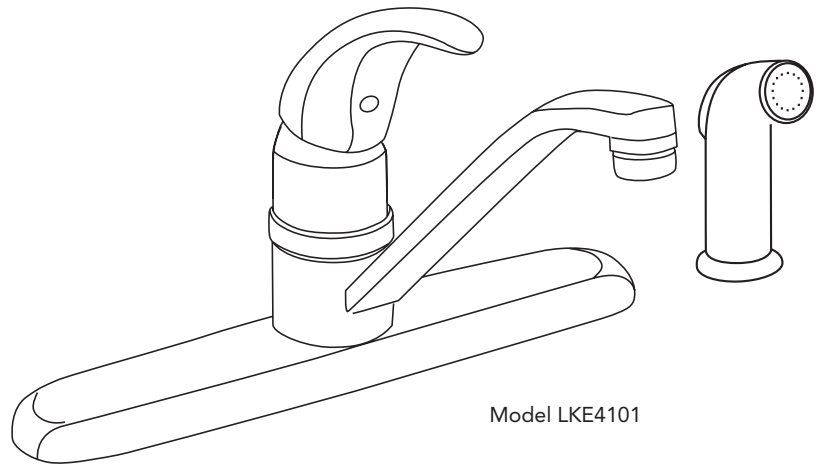
- Same as LKE4100 except with a 1.5 GPM aerator
- Ship Wt. 2-3/4 lbs. (1.2 Kg)
- Maximum flow rate
 - 1.5 GPM/5.7 L/min at 60 P.S.I.G.

WARRANTY

- Limited Lifetime

COMPLIES WITH:

- ADA
 - LKE4100/4100F/LKLF4100 models only
- ANSI/NSF61 - Certified
- ASME A112.18.1/CSA B125.1
- CA AB1953/VT S152



SEE OTHER SIDE FOR REPLACEMENT PARTS