

**PRODUCT SPECIFICATIONS**

Elkay Single Hole with Concealed Deck Faucet with 8" Gooseneck Spout 2" Lever Handles Chrome. Faucet has a flow rate of 1.5 GPM, and is made of Chrome Plated Brass material, with a Quarter Turn Ceramic Disc valve. Faucet requires 1 faucet holes.

|                          |   |
|--------------------------|---|
| <b>Mounting Type:</b>    | Deck Mount  |
| <b>Special Features:</b> | Low Flow<br>Solid Brass Construction<br>Spout swing restriction pin |
| <b>Finish:</b>           | Chrome (CR)   |
| <b>Handle Type:</b>      | 2" Lever Handle   |
| <b>Deck Clearance:</b>   | 9-3/8"  |
| <b>Spout Reach:</b>      | 8"  |
| <b>Spout Height:</b>     | 11-5/8"   |
| <b>Hole Drillings:</b>   | 1   |
| <b>Material:</b>         | Chrome Plated Brass   |
| <b>Valve Type:</b>       | Quarter Turn Ceramic Disc   |
| <b>Valve Connection:</b> | 1 1/8" Unified Screw Thread,<br>Standard Series                     |
| <b>Flow Rate:</b>        | 1.5 GPM   |
| <b>Spout Type:</b>       | Gooseneck   |

**Special Note:** 1.5 GPM VR aerator installed with 2.2 and .5 GPM inserts included

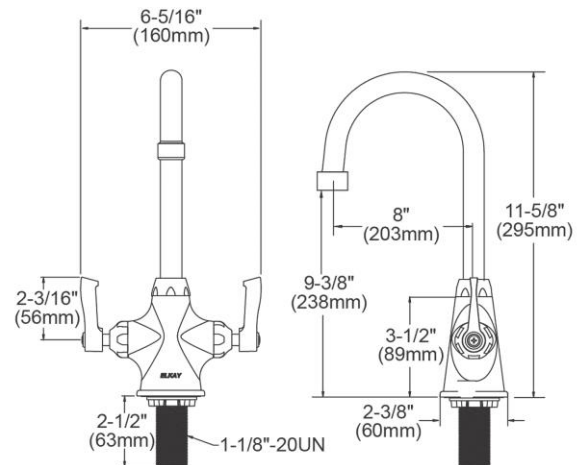


AMERICAN PRIDE. A LIFETIME TRADITION.  
Like your family, the Elkay family has values and traditions that endure. For almost a century, Elkay has been a family-owned and operated company, providing thousands of jobs that support our families and communities.



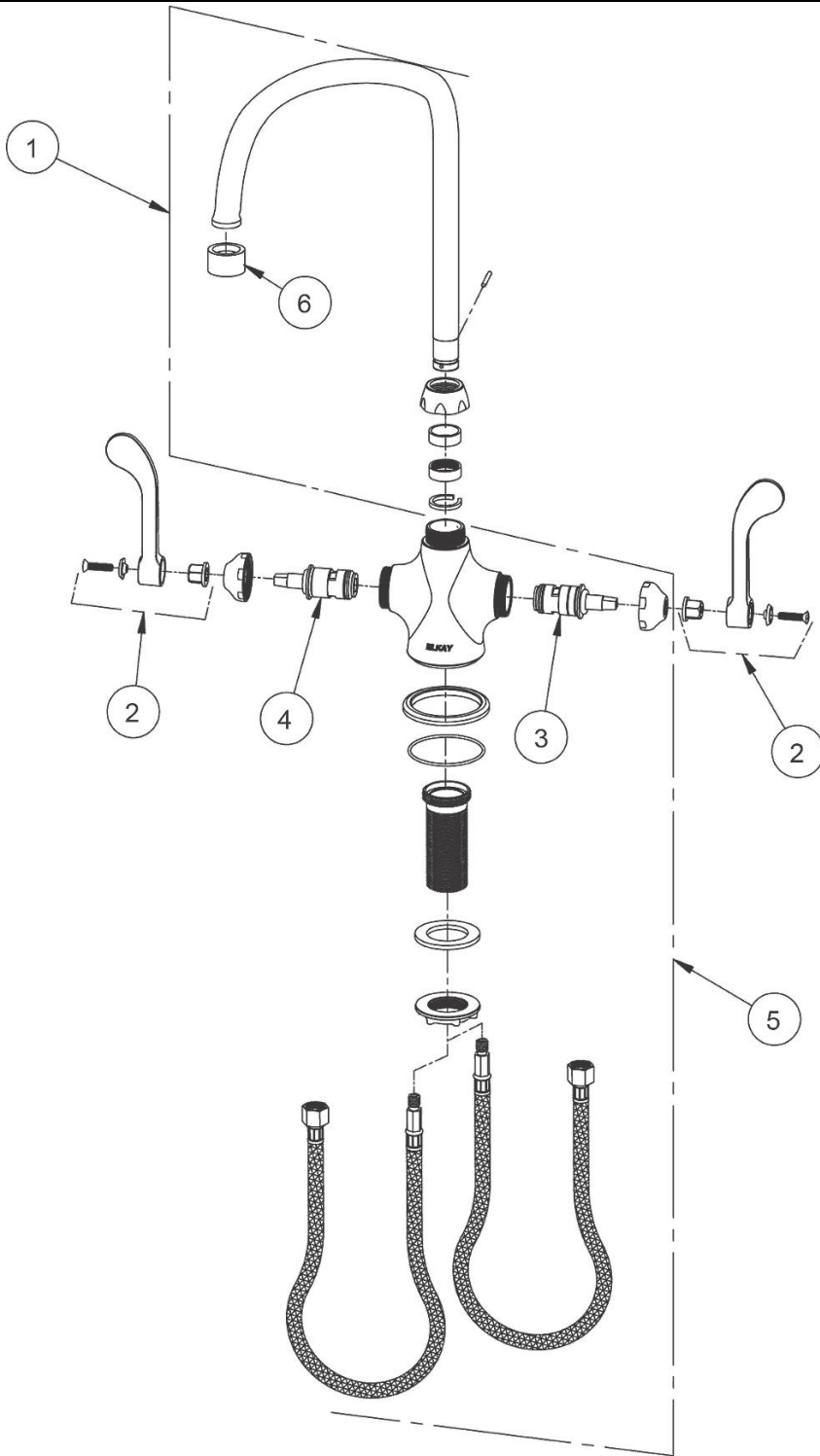
**Product Compliance:** ADA & ICC A117.1  
ASME A112.18.1/CSA B125.1  
NSF 61  
NSF 372 (lead free)

[Clean and Care Manual \(PDF\)](#)  
[Installation Instructions \(PDF\)](#)  
[Limited Warranty \(PDF\)](#)



PART: \_\_\_\_\_ QTY: \_\_\_\_\_  
PROJECT: \_\_\_\_\_  
CONTACT: \_\_\_\_\_  
DATE: \_\_\_\_\_  
NOTES: \_\_\_\_\_  
APPROVAL: \_\_\_\_\_

*In keeping with our policy of continuing product improvement, Elkay reserves the right to change product specifications without notice. Please visit [elkay.com](http://elkay.com) for the most current version of Elkay product specification sheets. This specification describes an Elkay product with design, quality, and functional benefits to the user. When making a comparison of other producers' offerings, be certain these features are not overlooked.*



| ITEM | IND. PART | DESCRIPTION          |
|------|-----------|----------------------|
| 1    | A55403    | Spout                |
| 2    | 45918C    | Handle, 2"           |
| 3    | 45923C    | Right Cold Cartridge |
| 4    | 45924C    | Left Hot Cartridge   |
| 5    | 45915C    | Body                 |
| 6    | LK734     | 2.2 GPM VR Aerator   |

*In keeping with our policy of continuing product improvement, Elkay reserves the right to change product specifications without notice. Please visit [elkay.com](http://elkay.com) for the most current version of Elkay product specification sheets. This specification describes an Elkay product with design, quality, and functional benefits to the user. When making a comparison of other producers' offerings, be certain these features are not overlooked.*