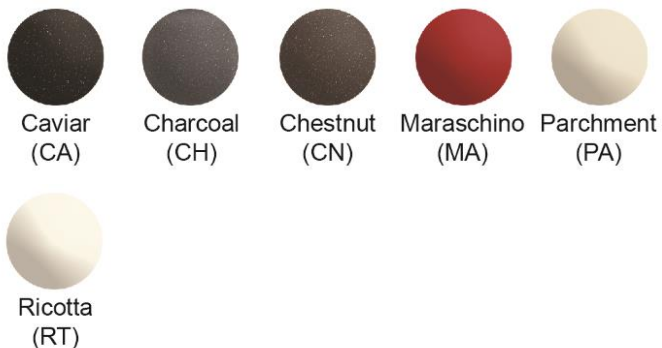


PRODUCT SPECIFICATIONS

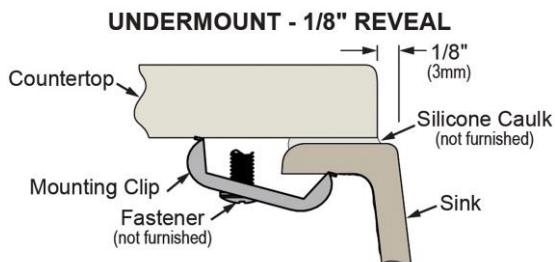
Elkay Quartz Luxe 25" x 18-1/2" x 9-1/2", Single Bowl Undermount Sink. Proprietary manufacturing process that combines natural quartz with high performance UV-stable acrylic resins, along with a patented webbing and embedded organic fibers that results in an impact resistant, non-porous and heat, scratch, stain and fade resistant surface. Naturally sound deadening and Rear Center drain placement.

Installation Type:	Undermount
Material:	Quartz
Finish:	Caviar (CA), Charcoal (CH), Chestnut (CN), Maraschino (MA), Parchment (PA), Ricotta (RT)
Number of Bowls:	1
Sink Dimensions:	25" x 18-1/2" x 9-1/2"
Bowl 1 Dimensions:	22-1/4" x 16-3/8" x 9-1/2"
Drain Size:	3-1/2" (89mm)
Drain Location:	Rear Center
Minimum Cabinet Size:	30"
Mounting Hardware:	Part # 54300404 included
Template Included:	Yes
Cutout Template #:	0000001437

Template is available for download at [elkay.com](#)



Installation Profile:



Designed to affix to the underside of any solid surface countertop.

PART: _____ QTY: _____

PROJECT: _____

CONTACT: _____

DATE: _____

NOTES: _____

APPROVAL: _____

In keeping with our policy of continuing product improvement, Elkay reserves the right to change product specifications without notice. Please visit [elkay.com](#) for the most current version of Elkay product specification sheets. This specification describes an Elkay product with design, quality, and functional benefits to the user. When making a comparison of other producers' offerings, be certain these features are not overlooked.



AMERICAN PRIDE. A LIFETIME TRADITION. Like your family, the Elkay family has values and traditions that endure. For almost a century, Elkay has been a family-owned and operated company, providing thousands of jobs that support our families and communities.



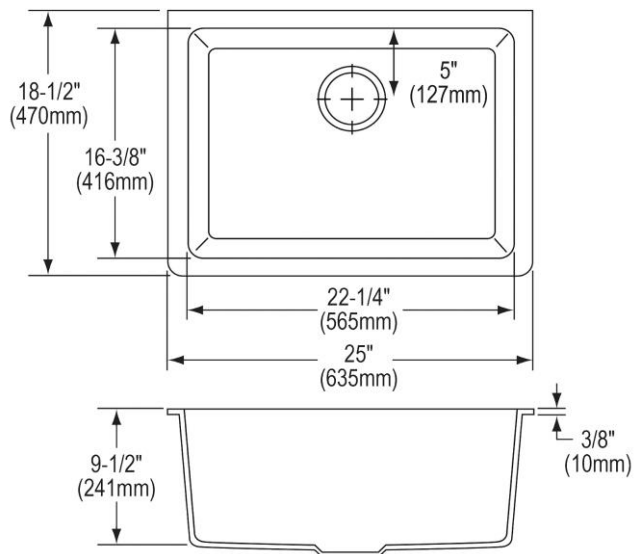
Sinks are listed by IAPMO[®] as meeting the applicable requirements of the Uniform Plumbing Code[®], International Plumbing Code[®], and National Plumbing Code of Canada.

Product Compliance: CSA B45.5/IAPMO Z124

[Clean and Care Manual \(PDF\)](#)

[Installation Instructions \(PDF\)](#)

[Warranty \(PDF\)](#)



OPTIONAL ACCESSORIES

Bottom Grid:	LKWOBG2217SS
Cutting Board:	LKCBEG2217HW
Drain:	LKQS35, LKQD35, LK99
Faucet:	LKGT3031, LK6000CR, LKEC2031
Rinsing Basket:	LKWRB2217SS, LKWERBSS
Soap Dispenser:	LKGT1054

In keeping with our policy of continuing product improvement, Elkay reserves the right to change product specifications without notice. Please visit elkay.com for the most current version of Elkay product specification sheets. This specification describes an Elkay product with design, quality, and functional benefits to the user. When making a comparison of other producers' offerings, be certain these features are not overlooked.