

PRODUCT SPECIFICATIONS

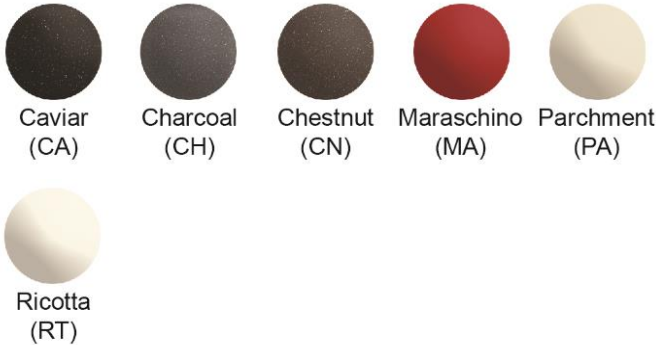
Elkay Quartz Luxe 33" x 20-7/8" x 9-7/16", Single Bowl Top Mount Sink. Proprietary manufacturing process that combines natural quartz with high performance UV-stable acrylic resins, along with a patented webbing and embedded organic fibers that results in an impact resistant, non-porous and heat, scratch, stain and fade resistant surface. Naturally sound deadening and Rear Center drain placement.

Installation Type:	Top Mount
Material:	Quartz
Finish:	Caviar (CA), Charcoal (CH), Chestnut (CN), Maraschino (MA), Parchment (PA), Ricotta (RT)
Number of Bowls:	1
Sink Dimensions:	33" x 20-7/8" x 9-7/16"
Bowl 1 Dimensions:	30-1/4" x 16-5/16" x 9-7/16"
Drain Size:	3-1/2" (89mm)
Drain Location:	Rear Center
Minimum Cabinet Size:	36"
Mounting Hardware:	Part # 64090408 included for countertops up to 1-3/4" (44mm) thick
Cutout Template #:	1000003473

Template is available for download at [elkay.com](#)

Cutout Dimensions for Top Mount Installation:

32-3/8" x 20-1/4" (822mm x 514mm) with 11/16" (17mm) corner radius



AMERICAN PRIDE. A LIFETIME TRADITION. Like your family, the Elkay family has values and traditions that endure. For almost a century, Elkay has been a family-owned and operated company, providing thousands of jobs that support our families and communities.



Sinks are listed by IAPMO® as meeting the applicable requirements of the Uniform Plumbing Code®, International Plumbing Code®, and National Plumbing Code of Canada.

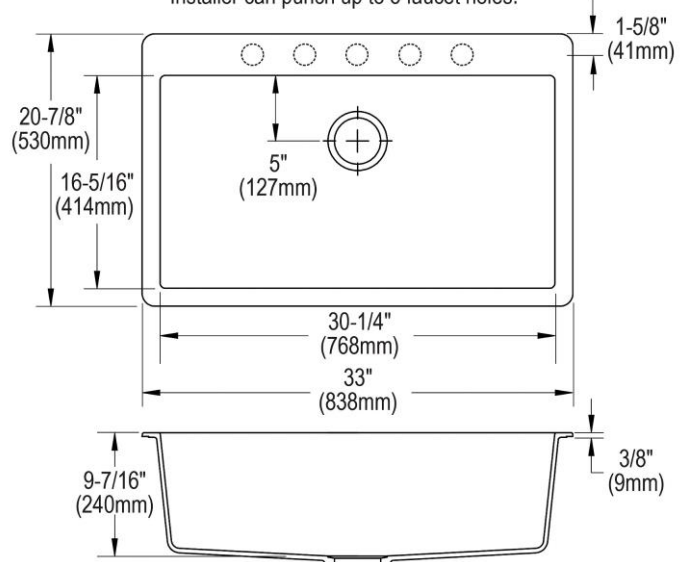
Product Compliance: CSA B45.5/IAPMO Z124

[Clean and Care Manual \(PDF\)](#)

[Installation Instructions \(PDF\)](#)

[Warranty \(PDF\)](#)

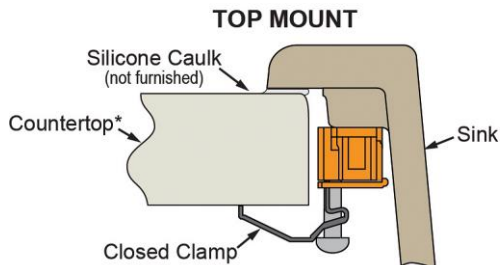
1-1/2" (38mm) Diameter Faucet Holes on 4" (102mm) Centers are Pre-Scored. Installer can punch up to 5 faucet holes.



PART: _____ QTY: _____
 PROJECT: _____
 CONTACT: _____
 DATE: _____
 NOTES: _____
 APPROVAL: _____

In keeping with our policy of continuing product improvement, Elkay reserves the right to change product specifications without notice. Please visit [elkay.com](#) for the most current version of Elkay product specification sheets. This specification describes an Elkay product with design, quality, and functional benefits to the user. When making a comparison of other producers' offerings, be certain these features are not overlooked.

Installation Profile:



*Maximum thickness for use of hold down system is 1-3/4" (44mm).

OPTIONAL ACCESSORIES

Bottom Grid:	LKOBG2915SS
Drain:	LKQS35, LKQD35, LK99
Faucet:	LKGT3031, LK6000CR, LKEC2031
Soap Dispenser:	LKGT1054

In keeping with our policy of continuing product improvement, Elkay reserves the right to change product specifications without notice. Please visit elkay.com for the most current version of Elkay product specification sheets. This specification describes an Elkay product with design, quality, and functional benefits to the user. When making a comparison of other producers' offerings, be certain these features are not overlooked.