

PRODUCT SPECIFICATIONS

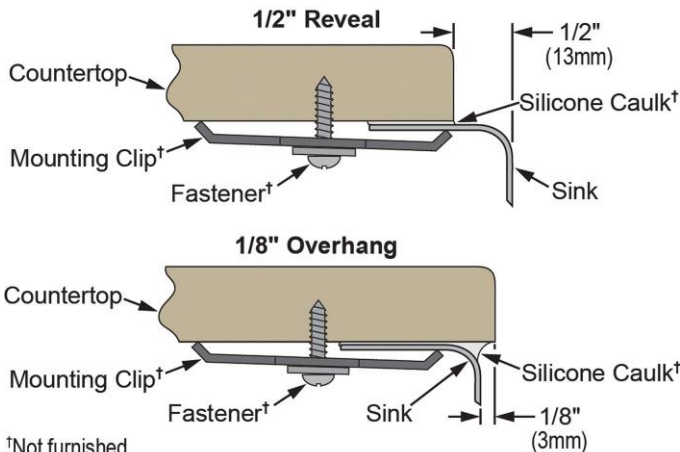
Gourmet (Lustertone®) Stainless Steel Single Bowl Undermount Sink Kit. Overall dimensions are 20-1/2" x 16-1/2" x 7-7/8". Sink is manufactured from 18 gauge 304 Stainless Steel with a Lustrous Highlighted Satin finish, Center drain placement and SoundGuard®.

Installation Type:	Undermount
Material:	304 Stainless Steel
Special Features:	Perfect Drain
Finish:	Lustrous Highlighted Satin
Gauge:	18
Sound Deadening:	SoundGuard®
Number of Bowls:	1
Sink Dimensions:	20-1/2" x 16-1/2" x 7-7/8"
Bowl 1 Dimensions:	18" x 14" x 7-7/8"
Drain Size:	3-3/8" (86mm)
Drain Location:	Center
Minimum Cabinet Size:	24"
Mounting Hardware:	Undermount brackets sold separately
Template Included:	Yes
Cutout Template #:	1000001307

Template is available for download at [elkay.com](#)

Perfect Drain: Seamlessly welded stainless steel collar eliminates the gap between a traditional drain and the sink for a sanitary and gap free installation. An InSinkErator® garbage disposer can be installed on either sink bowl for user convenience.. **Patent Pending**

Installation Profile:



†Not furnished
Designed to affix to the underside of any solid surface countertop.



Included with Product: LKPD1 Perfect Drain Strainer Assembly

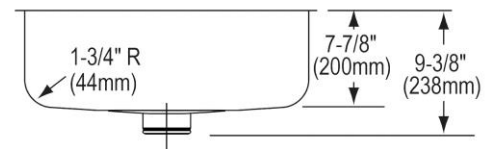
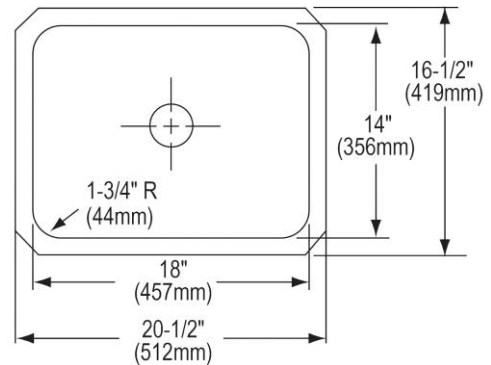
AMERICAN PRIDE. A LIFETIME TRADITION. Like your family, the Elkay family has values and traditions that endure. For almost a century, Elkay has been a family-owned and operated company, providing thousands of jobs that support our families and communities.



Sinks are listed by IAPMO® as meeting the applicable requirements of the Uniform Plumbing Code®, International Plumbing Code®, and National Plumbing Code of Canada.

Product Compliance: BUY AMERICAN ACT
ASME A112.19.3/CSA B45.4
Accessory: ASME A112.18.2/CSA B125.2

[Clean and Care Manual \(PDF\)](#)
[Installation Instructions \(PDF\) - 1000002045](#)
[Installation Instructions \(PDF\) - 74180289 Disposer](#)
[Installation Instructions \(PDF\) - 74180340-USA Drain](#)
[Limited Lifetime Warranty \(PDF\)](#)



PART: _____ QTY: _____
PROJECT: _____
CONTACT: _____
DATE: _____
NOTES: _____
APPROVAL: _____

In keeping with our policy of continuing product improvement, Elkay reserves the right to change product specifications without notice. Please visit [elkay.com](#) for the most current version of Elkay product specification sheets. This specification describes an Elkay product with design, quality, and functional benefits to the user. When making a comparison of other producers' offerings, be certain these features are not overlooked.

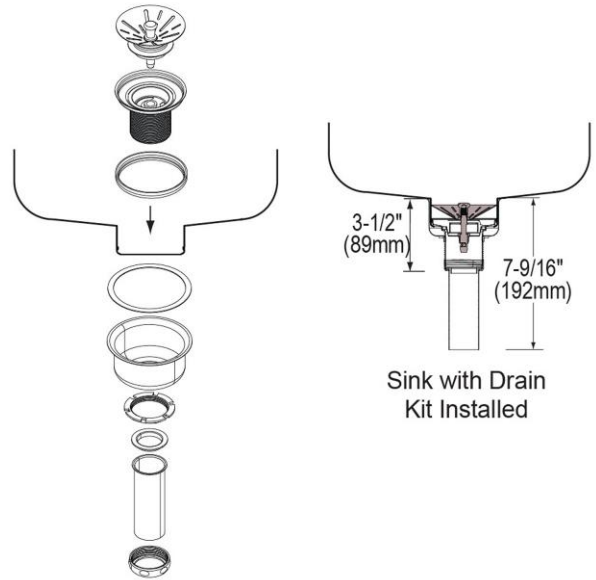
OPTIONAL ACCESSORIES

Cutting Board:	CBR1418*, CBS1418*
Faucet:	LKGT1041, LKGT2041
Hardware:	LKUCLIP8
Rinsing Basket:	LKWRB1418SS, LKWERBSS
Sinkmate:	LKSM17, LKSMHOOK, LKSMSPONGE, LKSMHSL
Soap Dispenser:	LKGT1054
* 1/2" sink reveal required for proper fit.	

in sink erator®

Elkay® Perfect Drain™ sinks are designed and approved for compatible disposers manufactured by InSinkEerator® utilizing the Quick Lock® mounting configuration. Use of non-approved disposers may void Elkay warranty.

InSinkEerator, Quick Lock and the mounting collar configuration are trademarks of Emerson Electric Co.



In keeping with our policy of continuing product improvement, Elkay reserves the right to change product specifications without notice. Please visit elkay.com for the most current version of Elkay product specification sheets. This specification describes an Elkay product with design, quality, and functional benefits to the user. When making a comparison of other producers' offerings, be certain these features are not overlooked.