

Item No.:	_____	Qty.:	_____
Model No.:	_____		
Project No.:	_____		



Economy Series Hand Sink

Economy Hand Sink with Pedestal Base and Foot Valve

EHS-14PEDX

Features

- 18 Gauge, 300 series stainless steel
- 6" Backsplash with 2" return
- Goose neck faucet included
- 1-1/2" Drain opening
- Strainer and faucet included
- Z-clip mounting bracket
- Easy to clean and sanitize
- Foot valve included with pedestal

Options

- Side Splashes
- Faucet Upgrade
- P-Trap
- Overflow

Materials

- Sink & Bowl: 18 gauge, 300 series stainless steel
- Top: Backsplash is 18 gauge, 300 series stainless steel

Mechanical

- 1-1/8" (29mm) faucet holes on 4" (102mm) centers
- 1-1/2" (38mm) waste drain opening

Flyer Product



AUTOQUOTES



In keeping with our policy of continuing product improvement, Elkay SSP reserves the right to change product specifications without notice.

This specification describes an Elkay SSP product with design, quality and functional benefits to the user. When making a comparison of other producers' offerings, be certain these features are not overlooked.

Elkay SSP
421 N. Freya St.
Spokane, WA 99205
Phone: 800-726-0553 Fax: 509-535-1493

Website: www.sspinc.net
Email: sspsales@elkay.com
©2011 Elkay

SNK-EHS14PEDX10OCT2011

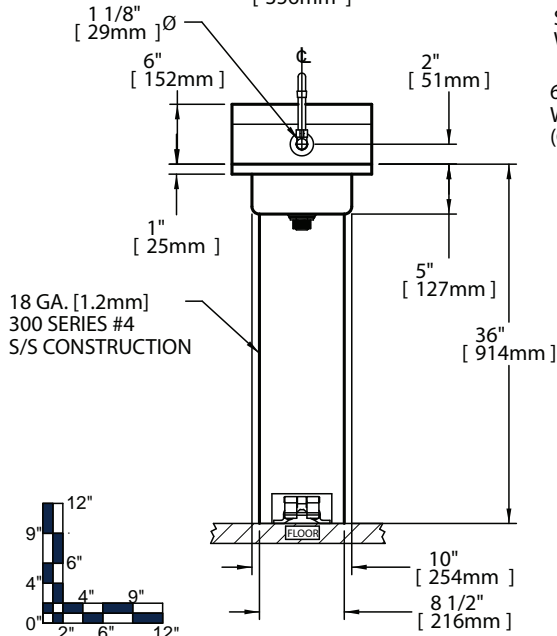
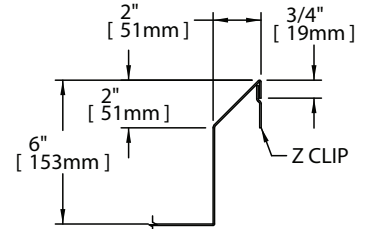
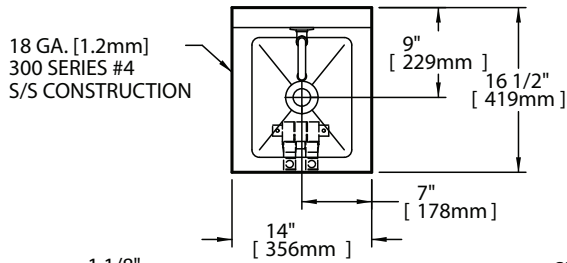
Page 1 of 2



Item No.: _____ Qty.: _____

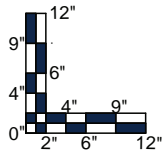
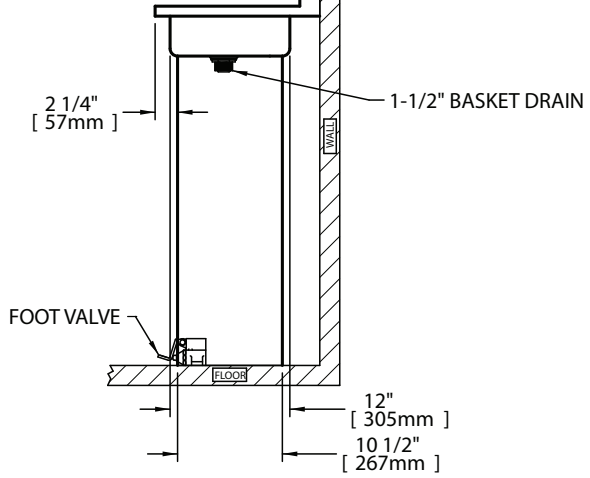
Model No.: _____

Project No.: _____



SPLASH MOUNT FAUCET
W/ 6" GOOSE NECK SPOUT

6" [152mm] BACKSPLASH
W/2" [51mm] RETURN
(CLIP DOWN)



Economy Hand Sinks																		
	Bowl Dimensions						Overall Size						Drain Location		Weight			
	Width		Front-to-Back		Depth		Width		Front-to-Back		Height		DL					
	A	B	C	D	E	F	G	H	I	J	K	L	M	N	O	P		
	in.	mm	in.	mm	in.	mm	in.	mm	in.	mm	in.	mm	in.	mm	in.	mm	lbs.	kg
EHS - 14 - PED X	10	254	14	356	5	127	14	356	18	457	11	279	10.0	254	25	11		

* Custom sizes also available

