

#### GENERAL

Highest quality sink fabricated of #18 (1.2mm) gauge, type 304 (18-8) nickel bearing stainless steel. Top mount or undermount.

#### DESIGN FEATURES

Bowl Depth: 9" (228mm).

Coved Corners: Approximately 5/8" (15mm).

Rim Height: 3/64" (1mm).

Slim Rim: Ultra-thin edge virtually eliminates the barrier between the sink and countertop.

Finish: Exposed surfaces have a Polished Satin finish.

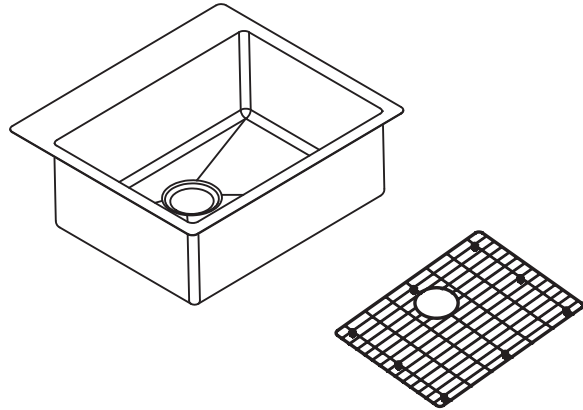
Underside: Fully protected by heavy duty Sound Guard® undercoating to reduce condensation and dampen sound.

#### OTHER

Drain Opening: 3-1/2" (89mm).

Sink complies with ASME A112.19.3/ CSA B45.4

 Sinks are listed by IAPMO® as meeting the applicable requirements of the Uniform Plumbing Code®, International Plumbing Code®, and National Plumbing Code of Canada.



#### Included Accessories:

Bottom Grid: CTOBG2115SS

#### OPTIONAL ACCESSORIES

Undermount Hardware: LKUMSK36, LKUCLIP8

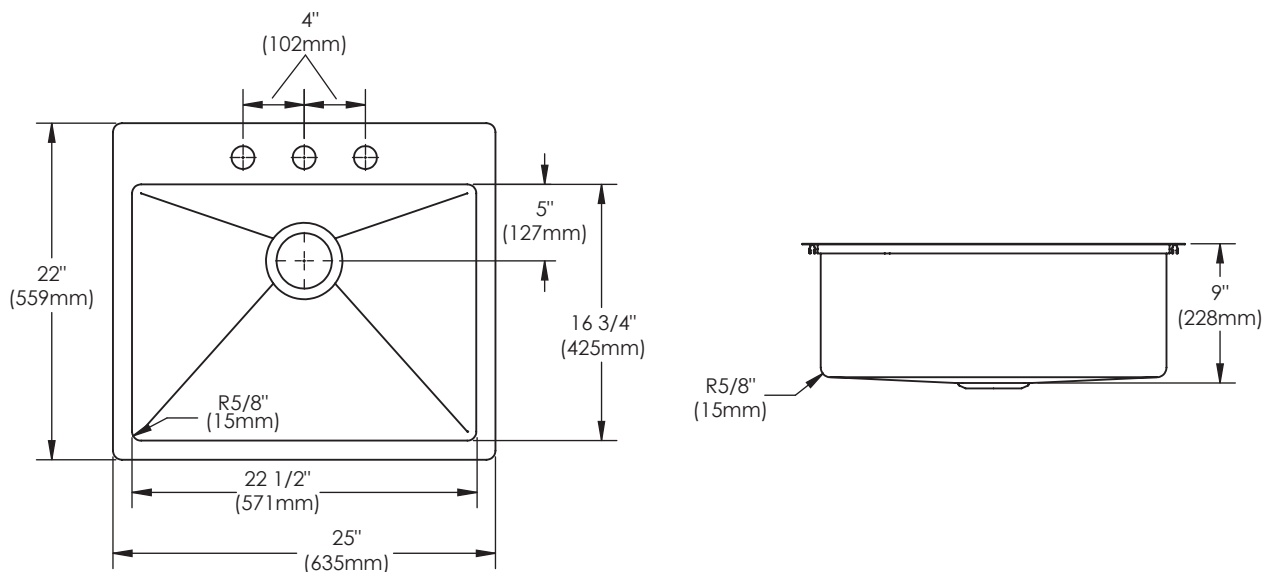
Drain: LK99

#### SINK DIMENSIONS\*

Model Number	Overall		Inside Bowl			Cutout in Countertop ¼ (6mm) Radius Corners Top Mount Installation Only	No. of 1-1/2" (38mm) Dia. Faucet Holes 4" (102mm) Center	Minimum Cabinet Size
	L	W	L	W	D			
ECTSR25229BG	25 (635mm)	22 (559mm)	22 ½ (571mm)	16 ¾ (425mm)	9 (228mm)	24 ¾ x 21 ¾ (619mm x 543mm)	1, 2, 3, 4, 5, MR2 or FR2	30 (762mm)

\* Length is left to right. Width is front to back.

\*\* For undermount installation, template 0000001179 is packed with every sink.

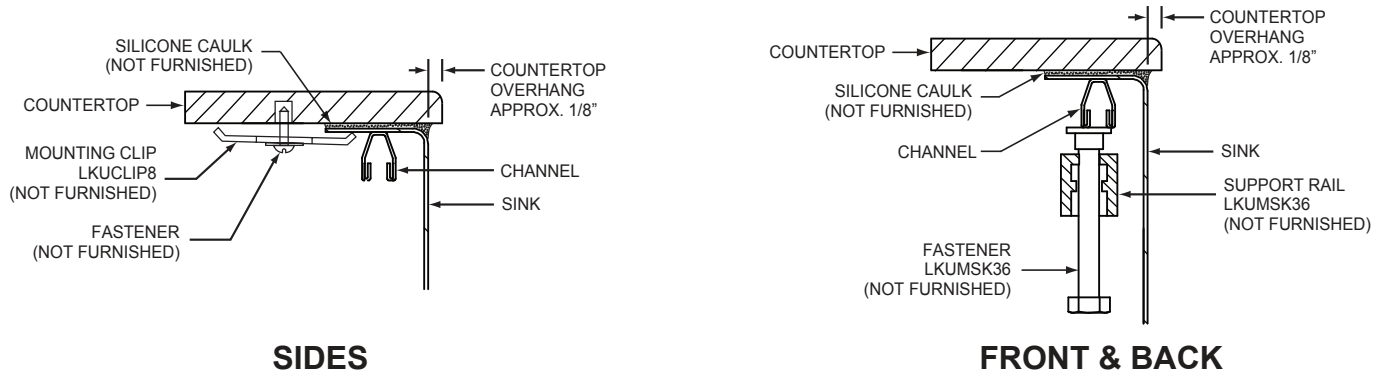


Model ECTSR25229BG3 Illustrated

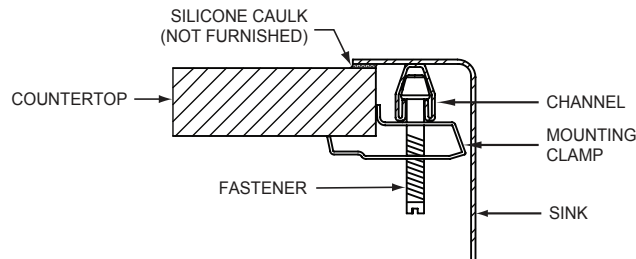
In keeping with our policy of continuing product improvement, Elkay reserves the right to change product specifications without notice. Please visit [elkay.com](http://elkay.com) for most current version of Elkay product specification sheets.

This specification describes an Elkay product with design, quality and functional benefits to the user. When making a comparison of other producers' offerings, be certain these features are not overlooked.

#### UNDERMOUNT INSTALLATION

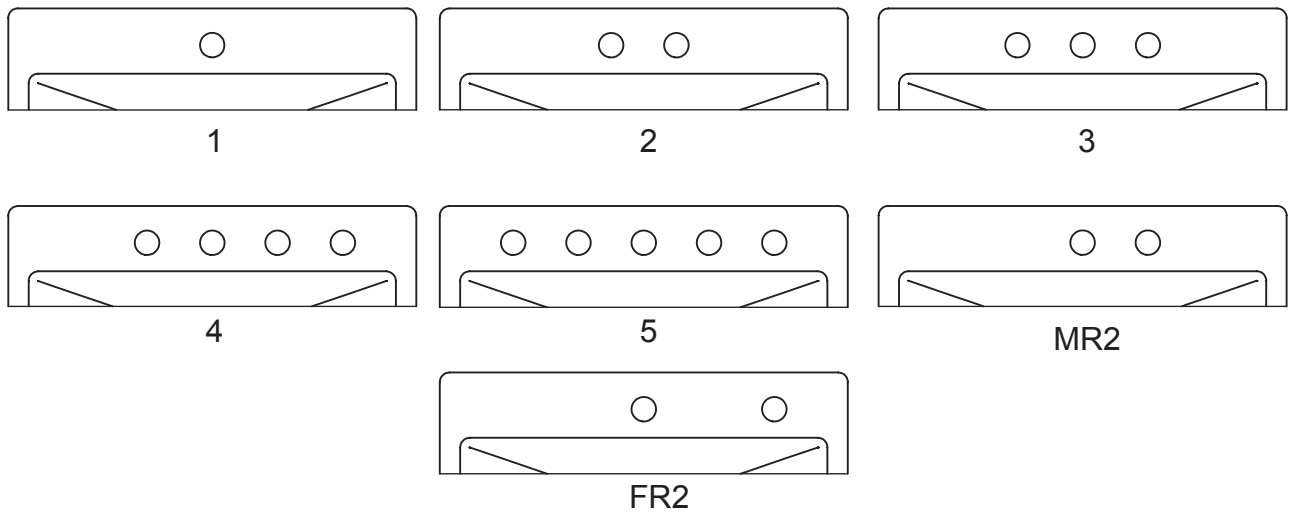


#### TOP MOUNT INSTALLATION



#### HOLE DRILLING CONFIGURATIONS

1-1/2" (38mm) Diameter Faucet Holes on 4" (102mm) Centers



In keeping with our policy of continuing product improvement, Elkay reserves the right to change product specifications without notice. Please visit [elkay.com](http://elkay.com) for most current version of Elkay product specification sheets.

This specification describes an Elkay product with design, quality and functional benefits to the user. When making a comparison of other producers' offerings, be certain these features are not overlooked.