

# ELKAY<sup>®</sup>

## SPECIFICATIONS

### Crosstown™ Top Mount Sink with Glass Rim Models ECTGRS332292R

#### GENERAL

Highest quality sink fabricated of #18 (1.2mm) gauge, type 304 (18-8) nickel bearing stainless steel. Top Mount.

#### DESIGN FEATURES

Bowl Depth: 9" (229mm).

Coved Corners: Approximately 5/8" (15mm).

Glass Rim Height: 5/16" (8mm)

Glass Rim: Decorative black tempered glass.

Underside: Fully protected by heavy duty Sound Guard<sup>®</sup> undercoating designed to reduce condensation and dampen sound.

Finish: Exposed surfaces have a Polished Satin Finish.

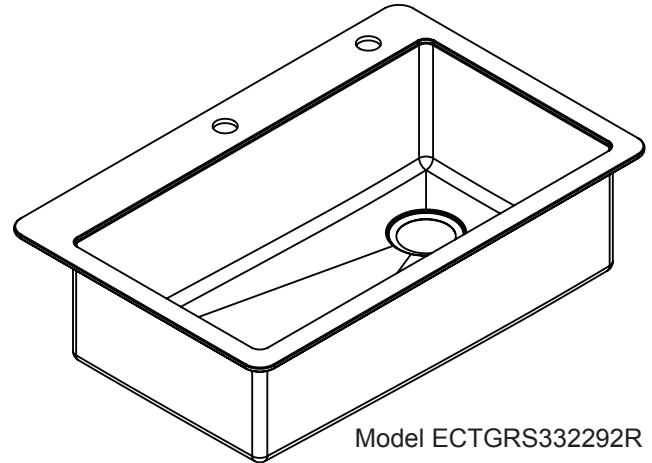
#### OTHER

Drain Opening: 3-1/2" (89mm).

NOTE: All Elkay top mount sinks are designed to mount to the top of any solid surface countertop.

Sink only complies with ASME A112.19.3/ CSA B45.4

 Sinks only are listed by IAPMO<sup>®</sup> as meeting the applicable requirements of the Uniform Plumbing Code<sup>®</sup>, International Plumbing Code<sup>®</sup>, and National Plumbing Code of Canada.



Model ECTGRS332292R

#### OPTIONAL ACCESSORIES

Bottom Grid: GFOBG3016RSS

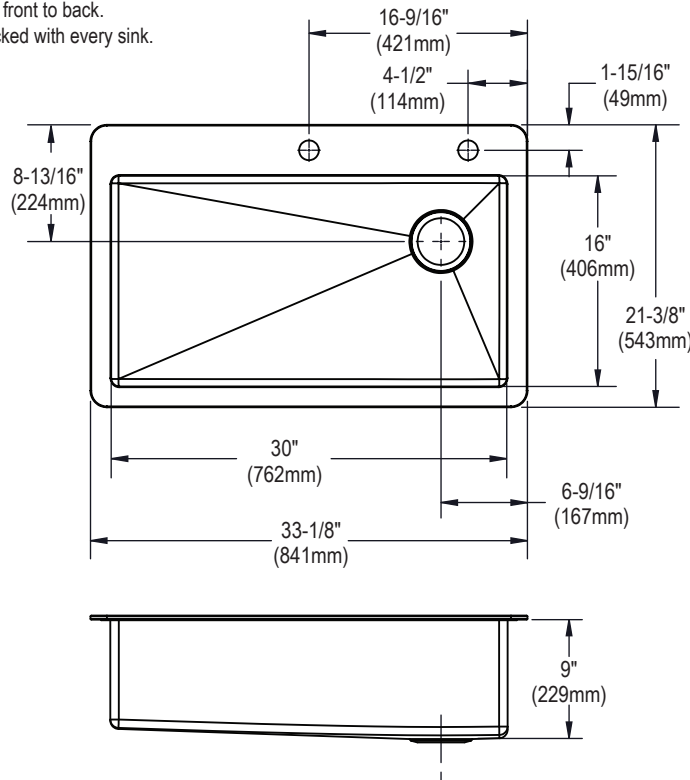
Drain: LK35

#### SINK DIMENSIONS\*

Model Number	Overall		Inside Bowl			Cutout in Countertop	No. of 1 1/2" (38mm) Dia. Faucet Holes.	Minimum Cabinet Size
	L	W	L	W	D			
ECTGRS332292R	33 1/8" (841mm)	21 3/8" (543mm)	30" (762mm)	16" (406mm)	9" (229mm)	See Template**	2	36" (914mm)

\* Length is left to right. Width is front to back.

\*\* Template 1000001897 is packed with every sink.



In keeping with our policy of continuing product improvement, Elkay reserves the right to change product specifications without notice. Please visit [elkay.com](http://elkay.com) for the most current version of Elkay product specification sheets.

This specification describes an Elkay product with design, quality, and functional benefits to the user. When making a comparison of others producers offerings, be certain these features are not overlooked.