

PRODUCT SPECIFICATIONS

Crosstown™ Stainless Steel Double Bowl Top mount Sink with Glass Top. Overall dimensions are 33-1/8" x 21-3/8" x 9-5/16". Sink is manufactured from 18 gauge 304 Stainless Steel with a Polished Satin finish, Rear Center drain placement and SoundGuard®.

Installation Type:	Top Mount
Material:	304 Stainless Steel
Special Features:	Glass Rim
Finish:	Polished Satin
Gauge:	18
Sound Deadening:	SoundGuard®
Number of Bowls:	2
Sink Dimensions:	33-1/8" x 21-3/8" x 9-5/16"
Bowl 1 Dimensions:	17" x 16" x 9"
Bowl 2 Dimensions:	12" x 16" x 9"
Drain Size:	3-1/2" (89mm)
Drain Location:	Rear Center
Minimum Cabinet Size:	36"
Template Included:	Yes
Cutout Template #:	1000001898

Template is available for download at [elkay.com](#)

Installation Profile:

Requires professional installation. Use actual sink for any adjustments after template cutout.

All Elkay undermount sinks are designed to affix to the underside of any solid surface countertop.

OPTIONAL ACCESSORIES

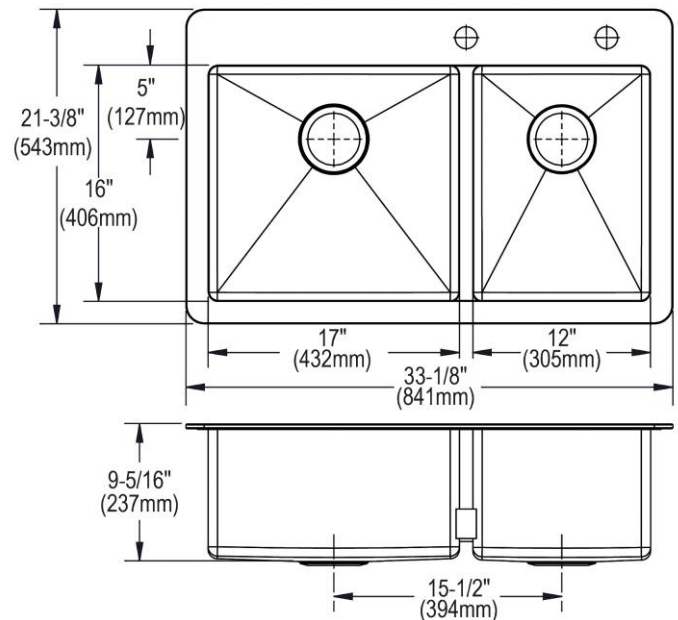
Bottom Grid:	GFOBG1716SS (left bowl), GFOBG1216SS (right bowl)
Drain:	LK99
Faucet:	LK3000CR, LK3001CR, LK5000CR, LK5000LS, LK6000CR, LK6000LS
Sinkmate:	LKSM17, LKSMHOOK, LKSMSPONGE, LKSMHSL
Soap Dispenser:	LK320



AMERICAN PRIDE. A LIFETIME TRADITION.
Like your family, the Elkay family has values and traditions that endure. For almost a century, Elkay has been a family-owned and operated company, providing thousands of jobs that support our families and communities.

Product Compliance: ASME A112.19.3/CSA B45.4
[Clean and Care Manual \(PDF\)](#)
[Installation Instructions \(PDF\)](#)
[Limited Lifetime Warranty \(PDF\)](#)

Two 1-1/2" (38mm) Faucet Holes



PART: _____ QTY: _____

PROJECT: _____

CONTACT: _____

DATE: _____

NOTES: _____

APPROVAL: _____

In keeping with our policy of continuing product improvement, Elkay reserves the right to change product specifications without notice. Please visit [elkay.com](#) for the most current version of Elkay product specification sheets. This specification describes an Elkay product with design, quality, and functional benefits to the user. When making a comparison of other producers' offerings, be certain these features are not overlooked.