

Item No.:	_____	Qty.	_____
Model No.:	_____		
Project No.:	_____		



12" Economy Series Sinks

12" Deep Economy Series Two Compartment Stainless Steel Sinks

- E2C16X20-L-18X
- E2C20X20-L-20X
- E2C24X24-L-24X

Options

- Faucets
- Tub Accessories
- Undershelves
- Rotary Drain Options
- H-Frame Stainless Steel Legs
- Stainless Steel Feet Options (bullet & flange styles)

Specifications

12" Economy Series Sink, with two compartments, left drainboard, 9" backsplash, 18 gauge, 300 series stainless steel top and bowl, galvanized legs & adjustable feet, raised 1-1/2" rolled edge, includes 3-1/2" basket strainer, NSF approved

Features

- 18 Ga. stainless steel
- Welded construction for consistent metal gauge thickness throughout
- 12" (304.8 mm) deep tub with 3/4" (19.1 mm) coved radius tub corners
- Drainboard is die stamped for positive drainage
- 9" (228.6 mm) backsplash with tile ledge for easy installation
- Raised 1-1/2" (38.1 mm) diameter rolled edge
- 3-1/2" (88.9 mm) drain with basket strainers included
- 1-5/8" (41.3 mm) galvanized legs with 1" (25.4 mm) adjustable plastic feet
- 2" (50.8 mm) divider between each tub

Materials

- Sink & Bowl: 18 Ga. 300 series stainless steel
- Top: Drainboard and backsplash are 18 gauge 300 series stainless steel.
- Legs: All sinks furnished with 1-5/8" (41.3 mm) diameter heavy gauge galvanized tubing with plated galvanized leg gussets and high impact corrosion resistant fully adjustable 1" (25.4 mm) feet.

Mechanical

- 1-1/8" (28.6mm) faucet holes on 8" (203.2mm) centers
- 3-1/2" (88.9mm) waste drain opening

Flyer Product

In keeping with our policy of continuing product improvement, Elkay SSP reserves the right to change product specifications without notice.

This specification describes an Elkay SSP product with design, quality and functional benefits to the user. When making a comparison of other producers' offerings, be certain these features are not overlooked.



AUTOQUOTES





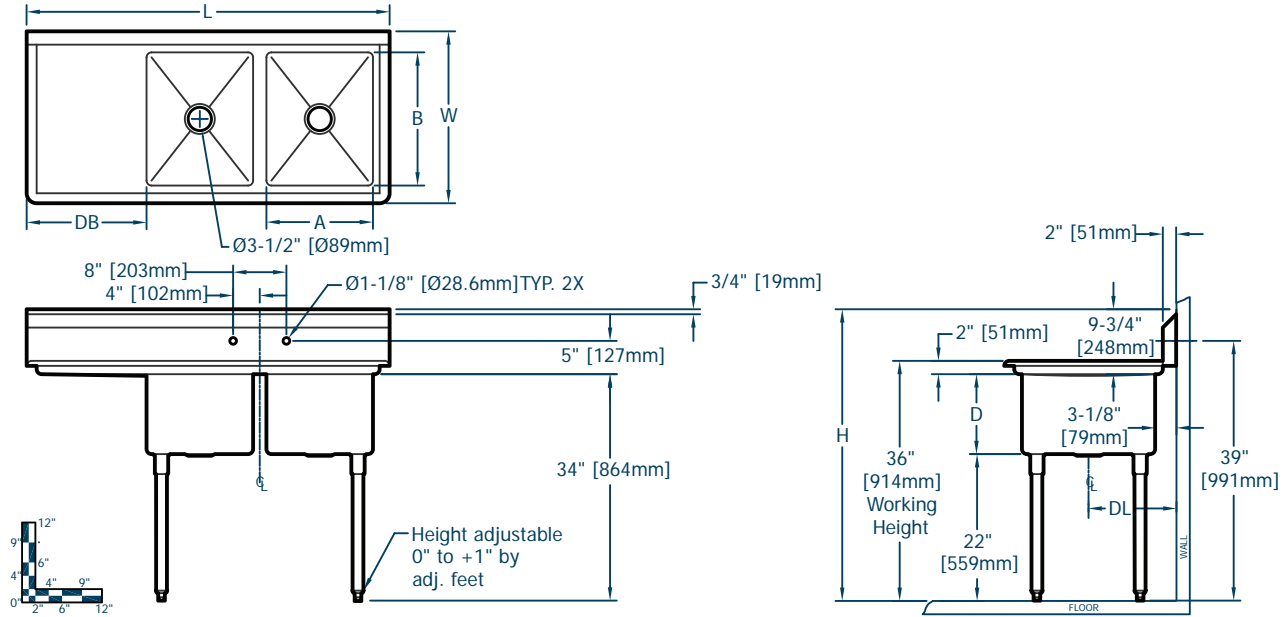
Item No.: _____ Qty. _____

Model No.: _____

Project No.: _____

12" Economy Series Sinks

12" Deep Economy Series Two Compartment Stainless Steel Sinks



Economy Series Sinks																				
Model Number		Bowl Dimensions						Overall Size						Drainboard		Drain Location		Weight		
		Width A		Front-to-Back B		Depth D		Length L		Width W		Height H		Location	Size DB	Location	DL	lbs.	kg	
in.	mm	in.	mm	in.	mm	in.	mm	in.	mm	in.	mm	in.	mm		in.	mm	in.	mm		
E	2C 16 X 20 L 18 X	16	406	20	508	12	305	54.5	1384	25.8	656	43.8	1111	Left	18	457	13	330	72	33
E	2C 20 X 20 L 20 X	20	508	20	508	12	305	64.5	1638	25.8	656	43.8	1111	Left	20	508	13	330	79	36
E	2C 24 X 24 L 24 X	24	610	24	610	12	305	76.5	1943	29.8	757	43.8	1111	Left	24	610	15	381	67	30

