

Item No.:	_____	Qty. _____
Model No.:	_____	
Project No.:	_____	



12" Economy Series Sinks

12" Deep Economy Series Two Compartment Stainless Steel Sinks

- E2C16X20-2-18X**
- E2C20X20-2-20X**
- E2C24X24-2-24X**

Options

- Faucets
- Tub Accessories
- Undershelves
- Rotary Drain Options
- H-Frame Stainless Steel Legs
- Stainless Steel Feet Options (bullet & flange styles)

Specifications

12" Economy Series Sink, with two compartments, both left and right drainboards, 9" backsplash, 18 gauge, 300 series stainless steel top and bowl, galvanized legs & adjustable feet, raised 1-1/2" rolled edge, includes 3-1/2" basket strainer, NSF approved

Features

- 18 Ga. stainless steel
- Welded construction for consistent metal gauge thickness throughout
- 12" (304.8 mm) deep tub with 3/4" (19.1 mm) coved radius tub corners
- All drainboards are die stamped for positive drainage
- 9" (228.6 mm) backsplash with tile ledge for easy installation
- Raised 1-1/2" (38.1 mm) diameter rolled edge
- 3-1/2" (88.9 mm) drain with basket strainers included
- 1-5/8" (41.3 mm) galvanized legs with 1" (25.4 mm) adjustable plastic feet
- 2" (50.8 mm) divider between each tub

Materials

- Sink & Bowl: 18 Ga. 300 series stainless steel
- Top: Drainboards and backsplash are 18 gauge 300 series stainless steel.
- Legs: All sinks furnished with 1-5/8" (41.3 mm) diameter heavy gauge galvanized tubing with plated galvanized leg gussets and high impact corrosion resistant fully adjustable 1" (25.4 mm) feet.

Mechanical

- 1-1/8" (28.6mm) faucet holes on 8" (203mm) centers
- 3-1/2" (88.9mm) waste drain opening

Flyer Product

In keeping with our policy of continuing product improvement, Elkay SSP reserves the right to change product specifications without notice.

This specification describes an Elkay SSP product with design, quality and functional benefits to the user. When making a comparison of other producers' offerings, be certain these features are not overlooked.



AUTOQUOTES

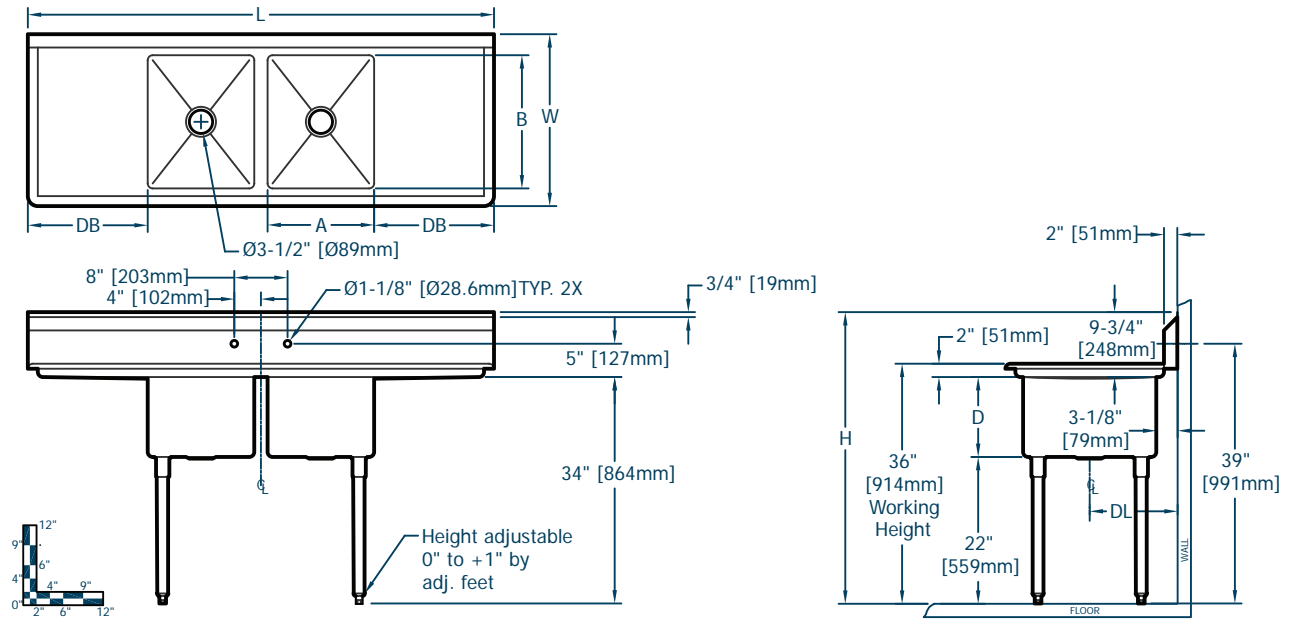




Item No.: _____ Qty. _____
 Model No.: _____
 Project No.: _____

12" Economy Series Sinks

12" Deep Economy Series Two Compartment Stainless Steel Sinks



Economy Series Sinks																			
Model Number	Bowl Dimensions						Overall Size						Drainboard		Drain		Weight		
	Width		Front-to-Back		Depth		Length		Width		Height		Location		Location				
	A	mm	B	mm	D	mm	L	mm	W	mm	H	mm	DB	mm	DL	mm	lbs.	kg	
E 2C 16 X 20 2 18 X	16	406	20	508	12	305	70	1778	25.8	656	43.8	1111	L & R	18	457	13	330	79	36
E 2C 20 X 20 2 20 X	20	508	20	508	12	305	82	2083	25.8	656	43.8	1111	L & R	20	508	13	330	88	40
E 2C 24 X 24 2 24 X	24	610	24	610	12	305	98	2489	29.8	757	43.8	1111	L & R	24	610	15	381	93	42

