

Item No.:	_____	Qty.	_____
Model No.:	_____		
Project No.:	_____		



Specifications

14" Standard Series Sink, with three compartments, both left and right drainboards, 9" backsplash, 16 gauge, 300 series stainless steel top and bowl, galvanized legs & adjustable feet, raised 1-1/2" rolled edge, includes 3-1/2" basket strainer, NSF approved

Features

- 16 Ga. stainless steel
- Welded construction for consistent metal gauge thickness throughout
- 14" (355.6 mm) deep tub with 3/4" (19.1 mm) coved radius tub corners
- All drainboards are die stamped for positive drainage
- 9" (228.6 mm) backsplash with tile ledge for easy installation
- Raised 1-1/2" (38.1 mm) rolled edge
- 3-1/2" (88.9 mm) drain with basket strainers included
- 1-5/8" (41.3 mm) galvanized legs with 1" (25.4 mm) adjustable plastic feet
- 2" (50.8 mm) divider between each tub

Flyer Product

In keeping with our policy of continuing product improvement, Elkay SSP reserves the right to change product specifications without notice.

14" Standard Series Sinks

14" Deep Standard Series Three Compartment Stainless Steel Sinks

- | | |
|--|--|
| <input type="checkbox"/> 14-3C16X20-2-18X | <input type="checkbox"/> 14-3C18X24-2-24X |
| <input type="checkbox"/> 14-3C16X20-2-24X | <input type="checkbox"/> 14-3C24X24-2-24X |
| <input type="checkbox"/> 14-3C20X20-2-20X | |
| <input type="checkbox"/> 14-3C18X24-2-18X | |

Options

- Faucets
- Tub Accessories
- Undershelves
- Rotary Drain Options
- H-Frame Stainless Steel Legs
- Stainless Steel Feet Options (bullet & flange styles)

Materials

- Sink & Bowl: 16 Ga. 300 series stainless steel
- Top: Drainboards and backsplash are 16 gauge 300 series stainless steel.
- Legs: All sinks furnished with 1-5/8" (41.3 mm) diameter heavy gauge galvanized tubing with plated galvanized leg gussets and high impact corrosion resistant fully adjustable 1" (25.4 mm) feet.

Mechanical

- 1-1/8" (38mm) faucet holes on 8" (203mm) centers
- 3-1/2" (89mm) waste drain opening



AUTOQUOTES



This specification describes an Elkay SSP product with design, quality and functional benefits to the user. When making a comparison of other producers' offerings, be certain these features are not overlooked.



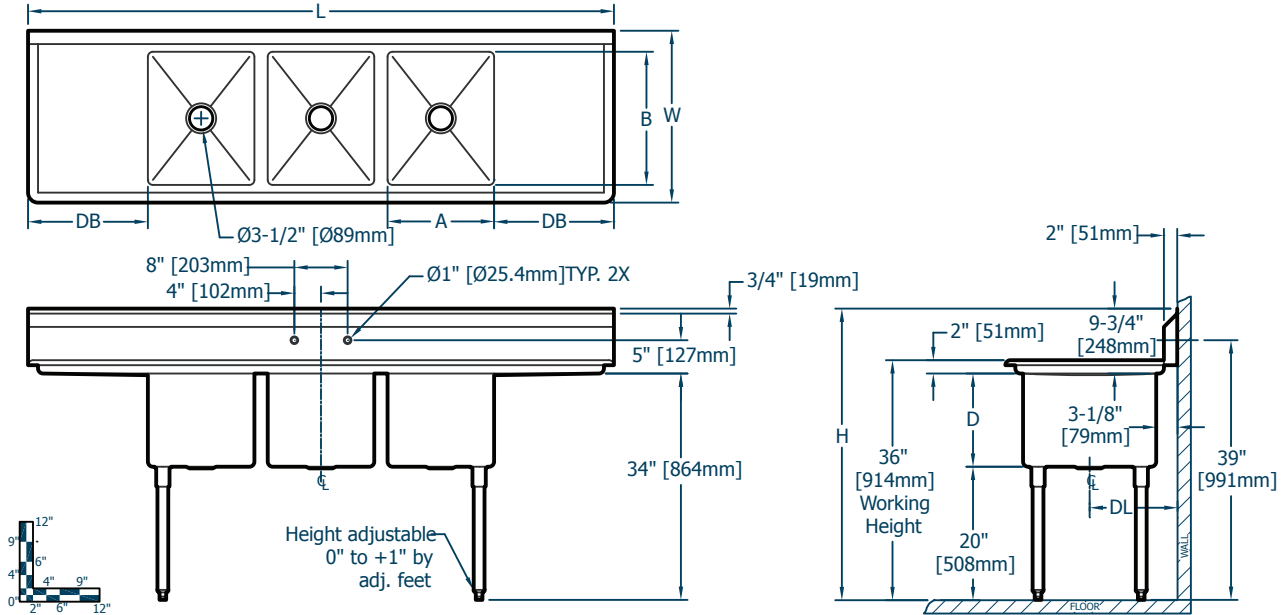
Item No.: _____ Qty. _____

Model No.: _____

Project No.: _____

14" Standard Series Sinks

14" Deep Standard Series Three Compartment Stainless Steel Sinks



14" Standard Series Sinks																		
Model Number	Bowl Dimensions						Overall Size						Drainboard		Drain		Weight	
	Width		Front-to-Back		Depth		Length		Width		Height		Location	Size	Location			
	A	B	B	D	L	W	H	DB	DL	lbs.	kg							
14 3C 16 X 20 2 18 X	16	406	20	508	14	356	88	2235	25.8	656	43.8	1111	L & R	18 457	13 330	305	139	
14 3C 16 X 20 2 24 X	16	406	20	508	14	356	100	2540	25.8	656	43.8	1111	L & R	24 610	13 330	319	145	
14 3C 20 X 20 2 20 X	20	508	20	508	14	356	104	2642	25.8	656	43.8	1111	L & R	20 508	13 330	366	166	
14 3C 18 X 24 2 18 X	18	457	24	610	14	356	94	2388	29.8	757	43.8	1111	L & R	18 457	15 381	349	158	
14 3C 18 X 24 2 24 X	18	457	24	610	14	356	106	2692	29.8	757	43.8	1111	L & R	24 610	15 381	364	165	
14 3C 24 X 24 2 24 X	24	610	24	610	14	356	124	3150	29.8	757	43.8	1111	L & R	24 610	15 381	443	201	

