

The safe & affordable install

Applicable for residential or light commercial installations



Wall Bracket SPECS QSWB2000

A Close Up:



Our wall bracket works great with all Mini Split units.

Holds up to 350 lbs.

Made from 14 gauge steel

All necessary hardware is included.

*Powder Coated.



The QSWB2000 has 6 points of anti-vibration isolation using 50-derometer rubber washers.



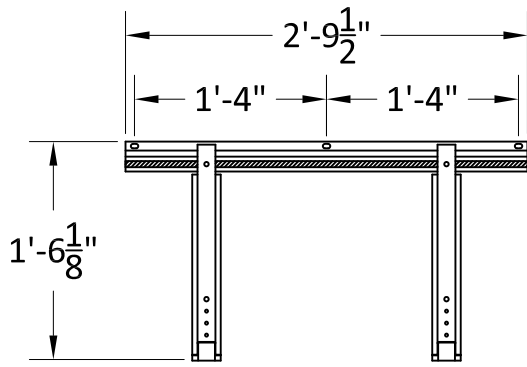
The QSWB2000 is completely adjustable from 0"-34" in width.

Shelf depth is 25" to allow correct spacing between the wall and the unit.

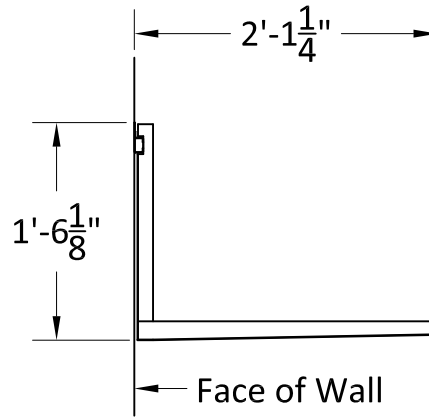
Mounting shelf is pre-slotted to quickly connect units.

Quick-Sling wall bracket provides you with a solid platform that is quick, safe, stable and affordable.

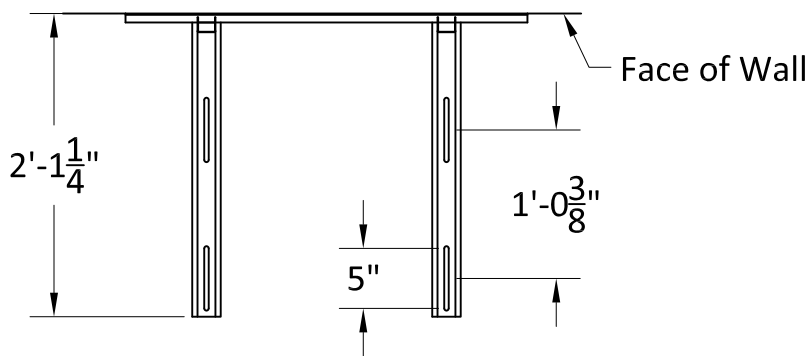
Patent Pending



Elevation



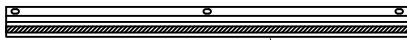
Side View



Plan View

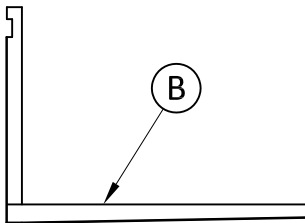
Important Note: Anchor glide track to wall with three $\frac{3}{8}$ " \varnothing lag bolts using holes provided.

PARTS LIST



(A)

(A) (1) - 14 gauge Glide Track



(B)

(B) (2) - 14 gauge L-Bar

Note - All assembly hardware is included



WALL BRACKET
MODEL NO. QSWB2000

www.quick-sling.com
email: info@quick-sling.com
fax: 1-(800)-699-0423

Quick Sling, LLC
391 W. Water Street
Taunton, MA 02780
1-(800)-699-0543