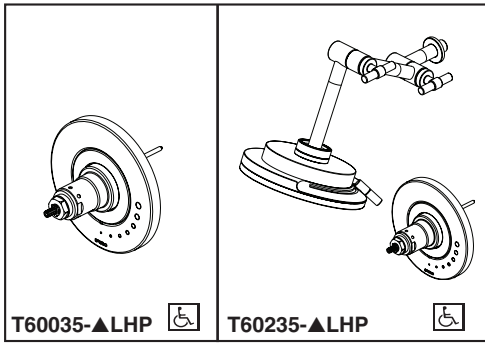


BRIZO®

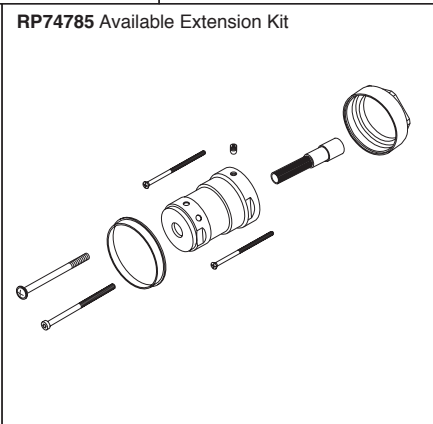
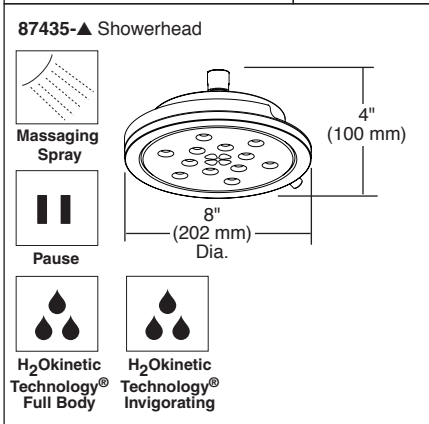
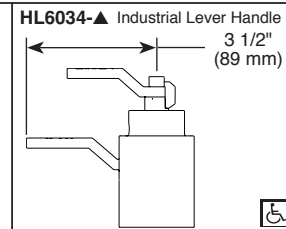
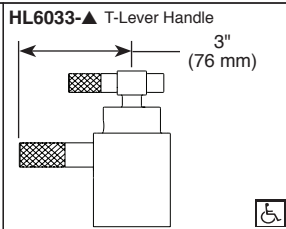
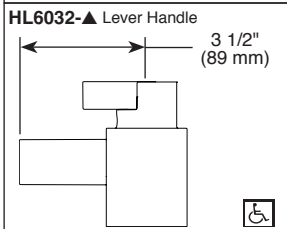
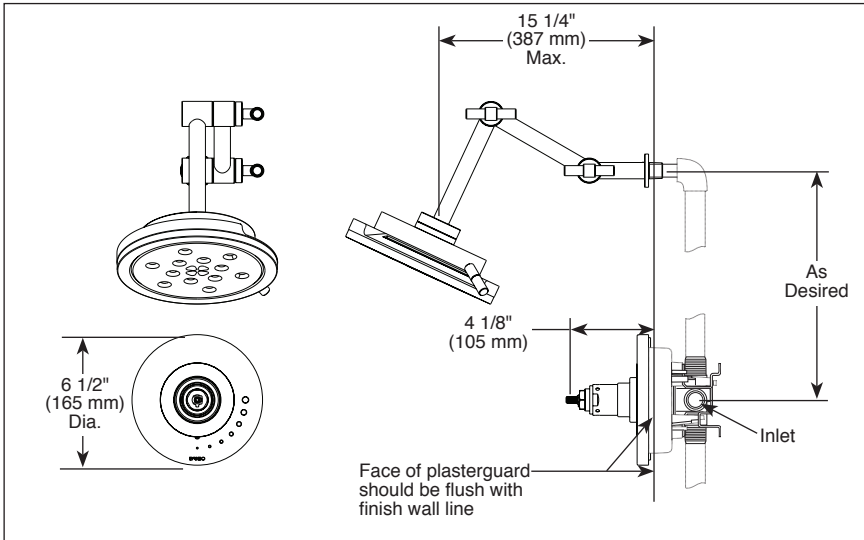
SHOWER FAUCET TRIM

- Litze™ Collection
- Valve Only (T60035-LHP)
- Shower Only (T60235-LHP)



Submitted Model No.: _____

Specific Features: _____



FEATURES:

- TempAssure® Thermostatic Valve Cartridge
- Multi-function Showerhead Featuring H₂Okinetic Technology®

STANDARD SPECIFICATIONS:

- Maximum 2.00 gpm @ 80 psi, 7.60 L/min @ 552 kPa
- Thermostatic wax element maintains the outlet temperature to ±3.6°F
- Must also order MultiChoice® Universal rough valve body (R60000 Series)
- Back-to-back installation capability
- Lever volume control handle; temperature adjustment lever
- Graphics indicate hot/cold temperature adjustment
- Field adjustable to limit handle rotation into hot water zone
- All parts replaceable from the front of the valve
- Adjusts for up to 1" wall thickness. Optional extension kit (RP74785) extends rough installation up to 1 3/4"
- Solid brass showerarm and tub spout with pull-up diverter
- 1/2"-14 threaded tub spout

WARRANTY

- Lifetime limited warranty on parts (other than electronic parts and batteries) and finishes: or, for commercial users, for 5 years from date of purchase.
- 5 year limited warranty on electronic parts (other than batteries); or, for commercial users, for 1 year from the date of purchase. No warranty is provided on batteries.



COMPLIES WITH:

- ASME A112.18.1 / CSA B125.1
- Indicates compliance to ICC/ANSI A117.1 - Valve control only.
- EPA WaterSense®

▲ Designate finish suffix

Brizo Kitchen & Bath reserves the right (1) to make changes in specifications and materials, and (2) to change or discontinue models, both without notice or obligation. Dimensions are for reference only. See current full-line price book or www.brizo.com for finish options and product availability.

BSP-B-T60035-LHP Rev. A

Brizo Kitchen & Bath Company
Indianapolis, Indiana 46280

A Division of Masco Corporation of Indiana
© 2016 Brizo Kitchen & Bath Company