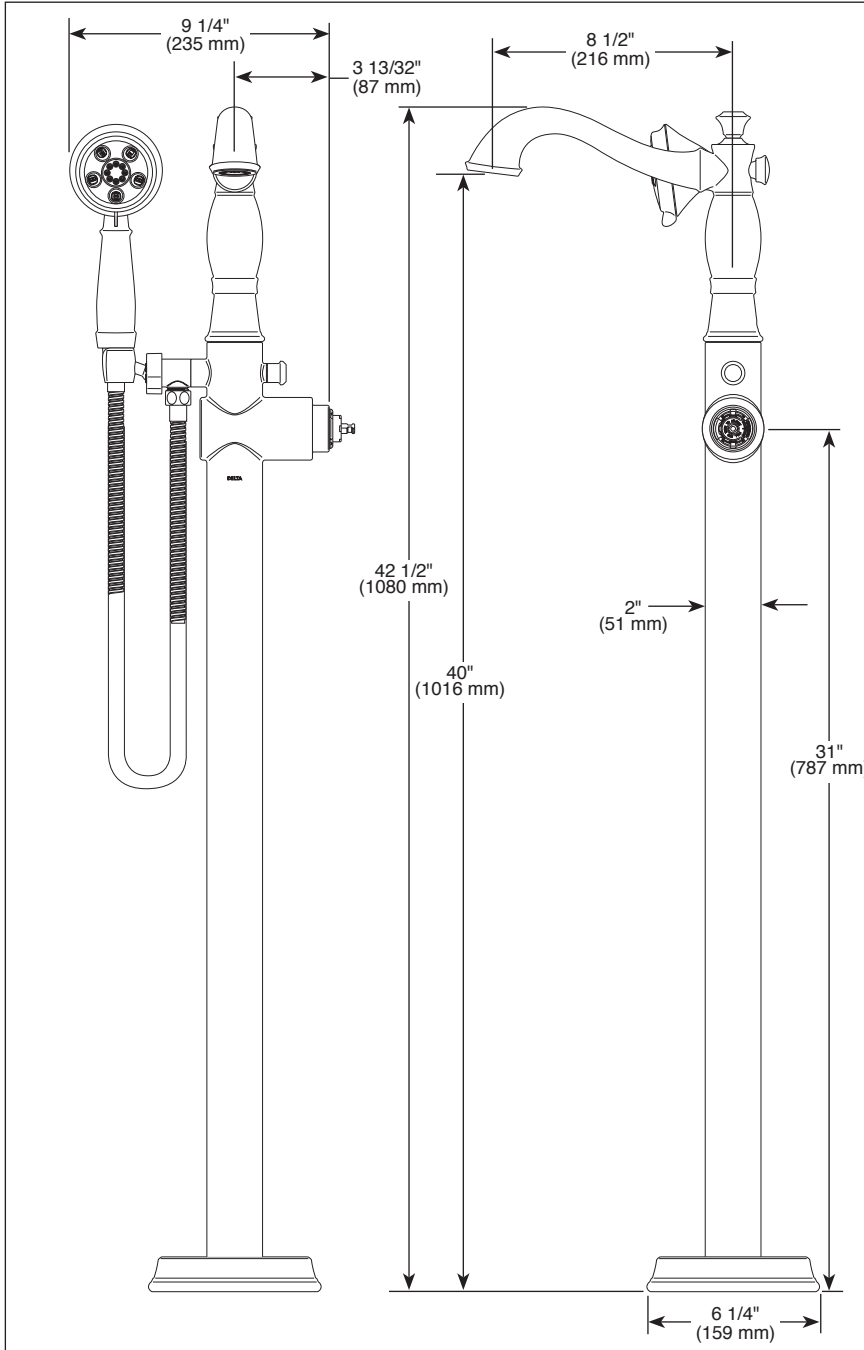


Submitted Model No.: \_\_\_\_\_

Specific Features: \_\_\_\_\_



▲ Designate Proper Finish Suffix

Delta reserves the right (1) to make changes in specifications and materials, and (2) to change or discontinue models, both without notice or obligation. Dimensions are for reference only. See current full-line price book or [www.deltafaucet.com](http://www.deltafaucet.com) for finish options and product availability.

DSP-B-T4797-FL-LHP Rev. C



## FLOOR MOUNT TUB FILLER

- Traditional Floor Mount Tub Filler
- Coordinates with Cassidy™ Bath Collection

### STANDARD SPECIFICATIONS:

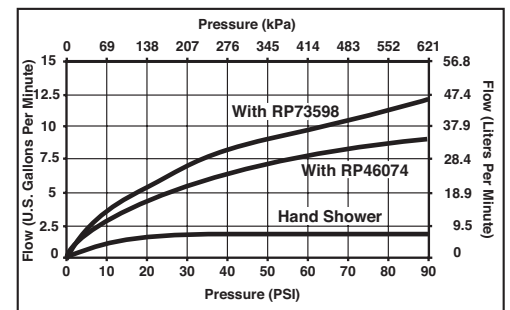
- Solid brass construction.
- Hot and cold indicators.
- Swing spout.
- 60"-80" stretchable hose with metal fittings.
- Auto resetting diverter.
- 2.0 gpm three setting H<sub>2</sub>Okinetic® handshower with dual check valves.
- Pause, H<sub>2</sub>Okinetic® Spray, Massage Spray.
- Pivot handshower holder.
- Optional pressure balance cartridge (RP46074) available.
- Must order rough R4700-FL or R4700-FLWS.
- Order handle separately. Coordinating handle options include H797▲, H795▲, and H798▲.

### WARRANTY

- Lifetime limited warranty on parts (other than electronic parts and batteries) and finishes; or, for commercial users, for 5 years from date of purchase.
- 5 year limited warranty on electronic parts (other than batteries); or, for commercial users, for 1 year from the date of purchase. No warranty is provided on batteries.

### COMPLIES WITH:

- ASME A112.18.1 / CSA B125.1



55 E. 111th Street, Indianapolis, Indiana 46280  
 350 South Edgeware Road, St. Thomas, ON N5P 4L1  
 © 2015 Masco Corporation of Indiana