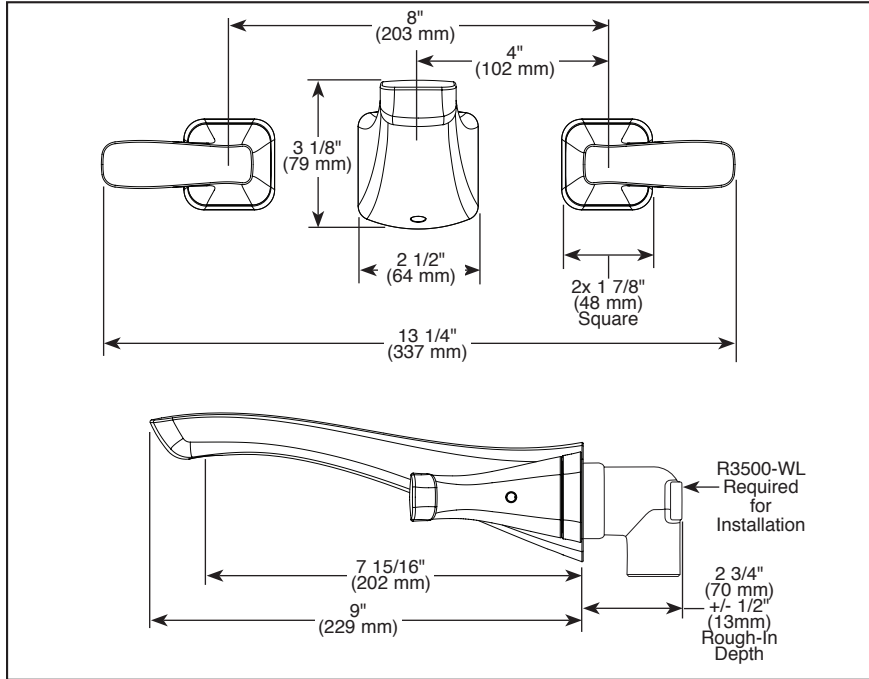
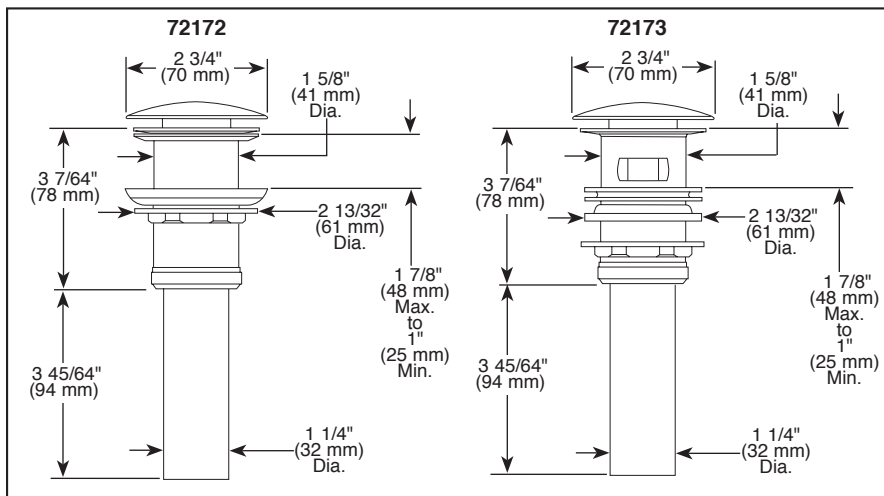


Submitted Model No.: _____

Specific Features: _____



▲ Designate Proper Finish Suffix



LAVATORY FAUCET TRIM

- Tesla™ Bath Collection
- 3 Hole On Wall
- 8" Centers
- Two Handle

STANDARD SPECIFICATIONS:


- Two handle lavatory faucet for wall mount installation.
- Solid brass fabricated body.
- 8" (203 mm) widespread.
- 9" (229 mm) long rigid spout.
- 1/4 turn stops.
- Accommodates wall thicknesses from 1/8" to 1 1/8".
- Cartridges ship with rough.
- 1/2"-14 NPT threaded female inlets.
- Maximum 1.50 gpm @ 60 psi, 5.7 L/min @ 414 kPa
- Rough-In R3500-WL required for installation.
- Drain sold separately.

WARRANTY

- Lifetime limited warranty on parts (other than electronic parts and batteries) and finishes: or, for commercial users, for 5 years from date of purchase.
- 5 year limited warranty on electronic parts (other than batteries); or, for commercial users, for 1 year from the date of purchase. No warranty is provided on batteries.



COMPLIES WITH:

- ASME A112.18.1 / CSA B125.1
-  Indicates compliance to ICC/ANSI A117.1
- EPA WaterSense®
- Verified compliant with .25% weighted average Pb content regulations.



Delta reserves the right (1) to make changes in specifications and materials, and (2) to change or discontinue models, both without notice or obligation. Dimensions are for reference only. See current full-line price book or www.deltafaucet.com for finish options and product availability.

DSP-L-T3552LF-WL Rev. B

55 E. 111th Street, Indianapolis, Indiana 46280
350 South Edgeware Road, St. Thomas, ON N5P 4L1
© 2015 Masco Corporation of Indiana