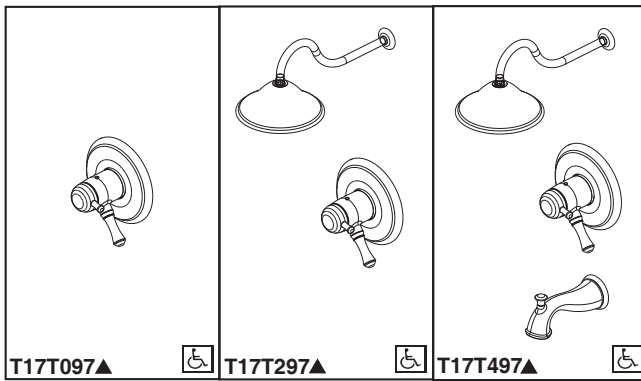




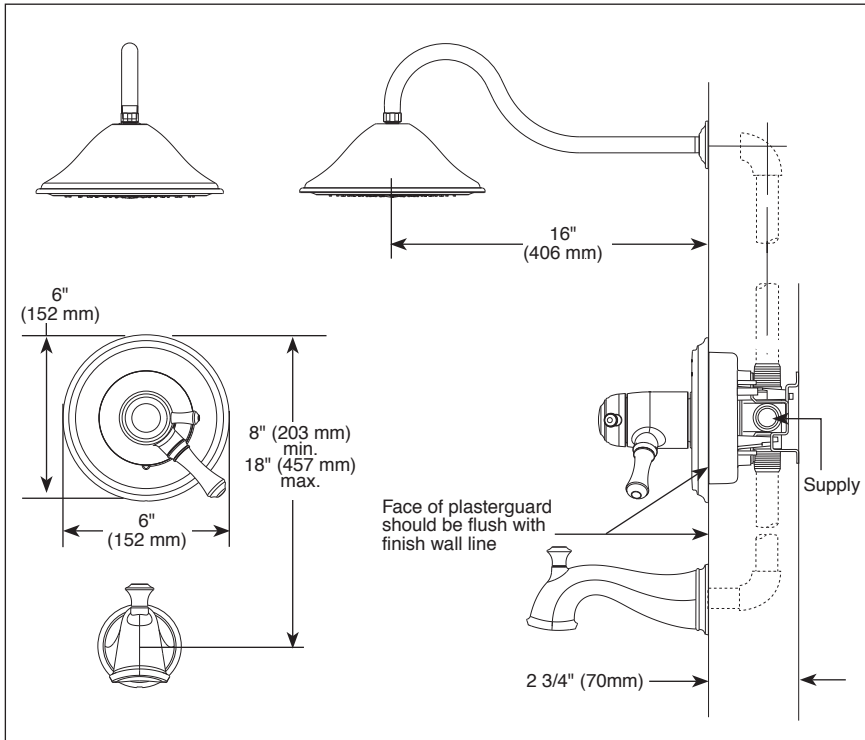
# TUB AND SHOWER FAUCET TRIM



- Cassidy™ Series
- TempAssure® Thermostatic
- Valve Only (T17T097)
- Shower Only (T17T297)
- Tub/Shower (T17T497)

Submitted Model No.: \_\_\_\_\_

Specific Features: \_\_\_\_\_



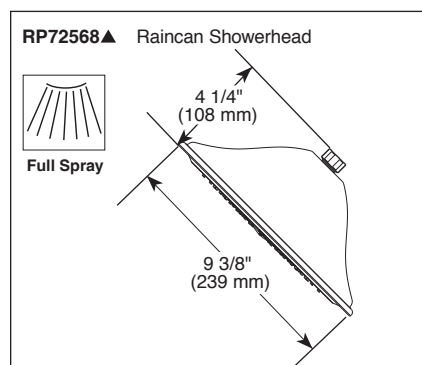
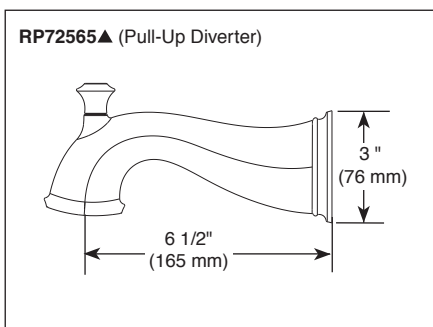
## STANDARD SPECIFICATIONS:

- TempAssure® 17T thermostatic valve cartridge.
- Thermostatic wax element maintains the outlet temperature to  $\pm 3.6^\circ$  F.
- Must also order R10000-UNBX rough valve body.
- Back-to-back installation capability.
- Solid brass forged body.
- Lever volume control handle; temperature adjustment dial.
- Graphics indicate hot/cold temperature adjustment.
- Field adjustable to limit rotation into hot water zone.
- All parts are replaceable from the front of the valve.
- Adjusts for up to 1" wall thickness.
- Raincan showerhead 2.5 gpm max @ 80 PSI.

## WARRANTY

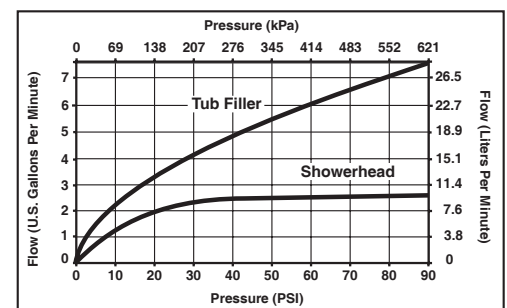
- Lifetime limited warranty on parts (other than electronic parts and batteries) and finishes; or for commercial users, for 5 years from the date of purchase.
- 5 year limited warranty on electronic parts (other than batteries); or for commercial users, for 1 year from the date of purchase. No warranty is provided on batteries.

### ▲ Designate Proper Finish Suffix



## COMPLIES WITH:

- ASME A112.18.1 / CSA B125.1
- ASSE 1016
- Indicates compliance to ICC/ANSI A117.1



Delta reserves the right (1) to make changes in specifications and materials, and (2) to change or discontinue models, both without notice or obligation. Dimensions are for reference only. See current full-line price book or [www.deltafaucet.com](http://www.deltafaucet.com) for finish options and product availability.  
DSP-B-T17T097 Rev. D