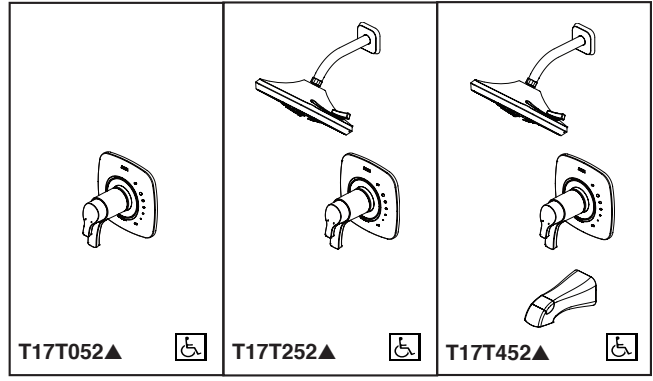




TUB AND SHOWER FAUCET TRIM

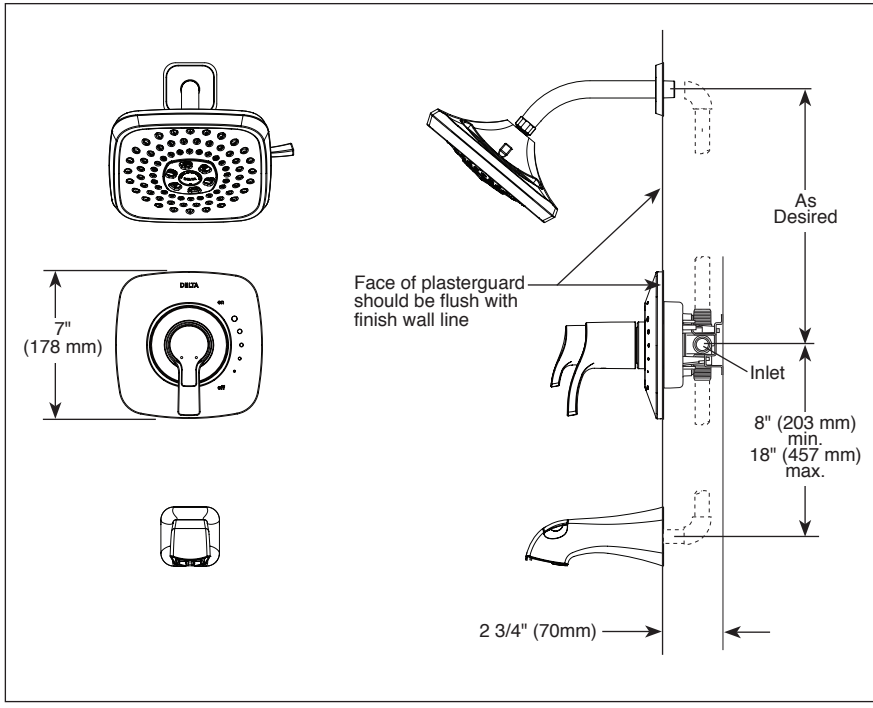


- Tesla™ Bath Collection
- TempAssure® Thermostatic
- Valve Only (T17T052)
- Shower Only (T17T252)
- Tub/Shower (T17T452)

Submitted Model No.: _____
 Specific Features: _____

STANDARD SPECIFICATIONS:

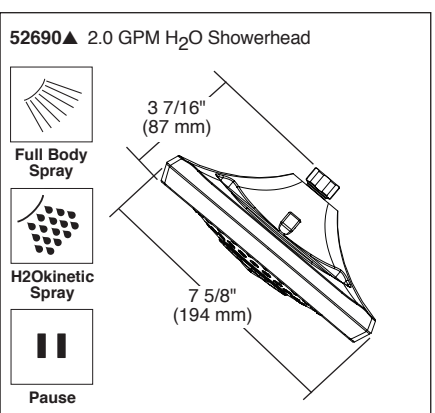
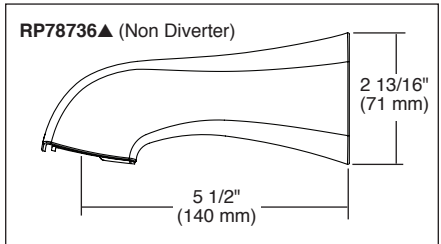
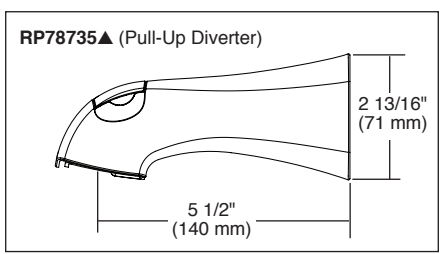
- TempAssure® 17T thermostatic valve cartridge.
- Thermostatic wax element maintains the outlet temperature to ±3.6°F.
- Three-setting H₂Okinetic® showerhead.
- Maximum 2.00 gpm @ 80 psi, 7.6 L/min @ 550 kPa
- Must also order MultiChoice® Universal rough separately (R10000 series).
- Back-to-back installation capability.
- Lever volume control handle; temperature adjustment dial.
- Graphics indicate hot/cold temperature adjustment.
- Field adjustable to limit rotation into hot water zone.
- All parts are replaceable from the front of the valve.
- Adjusts for up to 1" wall thickness.
- Red/blue pad print temperature indicator on the temperature adjustment dial.



WARRANTY

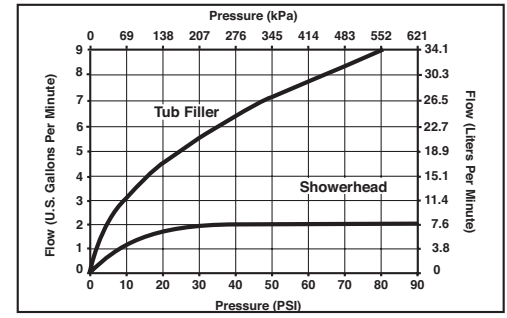
- Lifetime limited warranty on parts (other than electronic parts and batteries) and finishes: or, for commercial users, for 5 years from date of purchase.
 - 5 year limited warranty on electronic parts (other than batteries); or, for commercial users, for 1 year from the date of purchase.
- No warranty is provided on batteries.

▲ Designate Proper Finish Suffix



COMPLIES WITH:

- ASME A112.18.1 / CSA B125.1
- Indicates compliance to ICC/ANSI A117.1 - Valve control only.
- EPA WaterSense®



55 E. 111th Street, Indianapolis, Indiana 46280
 350 South Edgeware Road, St. Thomas, ON N5P 4L1
 © 2015 Masco Corporation of Indiana

Delta reserves the right (1) to make changes in specifications and materials, and (2) to change or discontinue models, both without notice or obligation. Dimensions are for reference only. See current full-line price book or www.deltafaucet.com for finish options and product availability.
 DSP-B-T17T052 Rev. B