

MultiChoice® Universal Thermostatic Tub and Shower with Diverter Valve for Dual Showers



SPECIFICATION: (EXAMPLE)

□ R10700-UNWS ROUGH-IN ONLY

- Concealed in-wall MultiChoice® Universal valve
- Back-to-back capability, Integral screwdriver stops
- **Heavy duty forged brass** valve body
- 1/2" Universal inlets to accept 1/2" copper, 1/2" iron pipe, PEX or CPVC adaptors
- 1/2" Male thread inlets/outlets
- In-wall diverter valve

□ T17TH ___ - ___ FINISH TRIM ONLY:

- TempAssure® 17T Thermostatic cartridge
- Polished chrome-plated finish
- ADA compliant handle
- Lever volume control; temperature adjustment dial
- Non-removeable red/blue temperature markings and ... with ... (add product variation) with ... (add shower)

**T17TH325
with 060705A**



Requires rough-in and trim to have complete product.

Engineer/Architect Approval

Model Specified:

Approval:

Date:

MODEL NUMBER EXAMPLE:

Configurations vary, see below for availability.

T 1 7 T H 3 0 5 - 2 5

Variation

- 1 = Shower valve. See DSP-T17TH1.
- 2 = Tub & shower valve with pull-up diverter tub spout.* See DSP-T17TH1.
- 3 = Shower valve with diverter for dual showers
- 9 = Tub & shower valve with diverter for dual showers*

Shower

- 0 = No shower head
- 2 = 3-Setting Touch-Clean® shower head/arm/flange
- 3 = Touch-Clean® shower head/arm/flange

Handle

- 5 = Metal lever volume control with temperature adjustment

Options/Add-Ons

- 05 = 36" SS grab bar, replacing 24" bar
- 20 = 69 - 92" stretchable SS hose, replacing vinyl hose
- 25 = 36" SS grab bar AND 69 - 92" stretchable SS hose, replacing 24" bar and vinyl hose

AVAILABLE MODELS		VARIATION	
		3	9
		Shower/Hand Shower with 2 Check Valves, 24" (610 mm) SS Bar with ADA Slide, and Diverter Valve, Hand Shower 2.5 gpm (9.5 L/min)	Shower/Hand Shower with 2 Check Valves, 24" (610 mm) SS Bar with ADA Slide, Diverter Valve and Diverter Spout* Hand Shower 2.5 gpm (9.5 L/min)
		HANDLE	HANDLE
SHOWER		5 Vandal Resistant Metal Lever Volume Control	5 Vandal Resistant Metal Lever Volume Control
		0 No Shower Head (Note 1)	T17TH305 T17TH305-05 T17TH305-20 T17TH305-25
2 3-Setting Touch-Clean® Shower Head, Arm, Flange 1.75 gpm (6.6 L/min)	T17TH325 T17TH325-05 T17TH325-20 T17TH325-25	T17TH925 T17TH925-05 T17TH925-20 T17TH925-25	
3 Touch-Clean® Shower Head, Arm, Flange 1.75 gpm (6.6 L/min)	T17TH335 T17TH335-05 T17TH335-20 T17TH335-25	T17TH935 T17TH935-05 T17TH935-20 T17TH935-25	

See DSP-B-R10000-HDF for additional rough-in options. See DSP-SHWA and DSP-SHWB for additional shower options.

Note 1: Valve rated minimum 1.2 gpm @ 45 psi (4.5 L/min @ 310 kPa).

*Tub spout diverter not ADA

Note: Use this page front and back as a product submittal sheet.

Refer to www.specselect.com for individual models.

Stated flow rate for shower heads @ 80 psi (552 kPa) maximum.

Delta reserves the right (1) to make changes in specifications and materials, and (2) to change or discontinue models, both without notice or obligation. Dimensions are for reference only. See current full-line price book or www.specselect.com for finish options and product availability.


US-DSP-T17TH3 Rev. K

MultiChoice® Universal Thermostatic Tub and Shower with Diverter Valve for Dual Showers

TECK
COMMERCIAL

DELTA

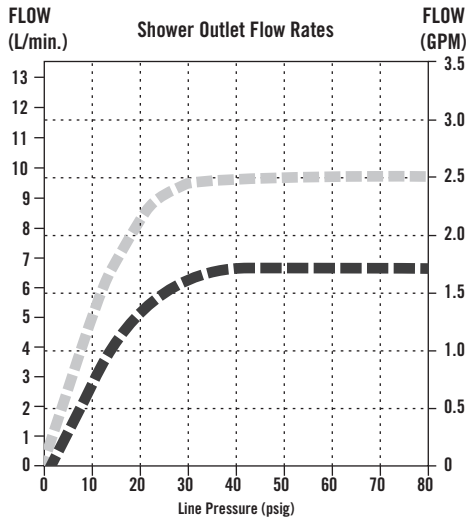
APPROVALS:

- CSA certified
- Complies to ASME A112.18.1/CSA B125.1
-  Indicates compliance to ICC/ANSI A117.1
- Tub spout diverter NOT ADA
- Thermostatic Valve complies with ASSE 1016
- Hand Shower back flow protection provided by two integral certified check valves in series, which operate independently, ASME A112.18.3

(Contact Delta Representative for State and/or Local Approvals.)



FLOW RATE vs PRESSURE



Shower Outlets

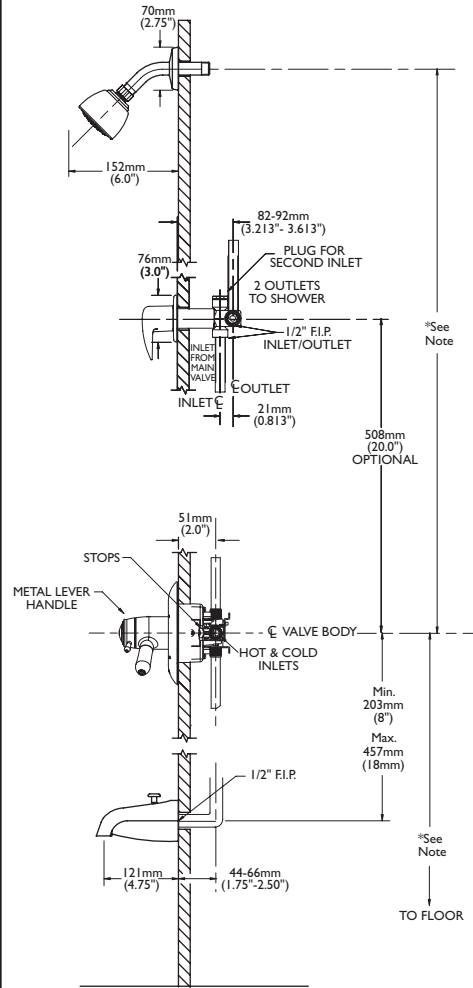
■ No. 2 & 3

Product Variations

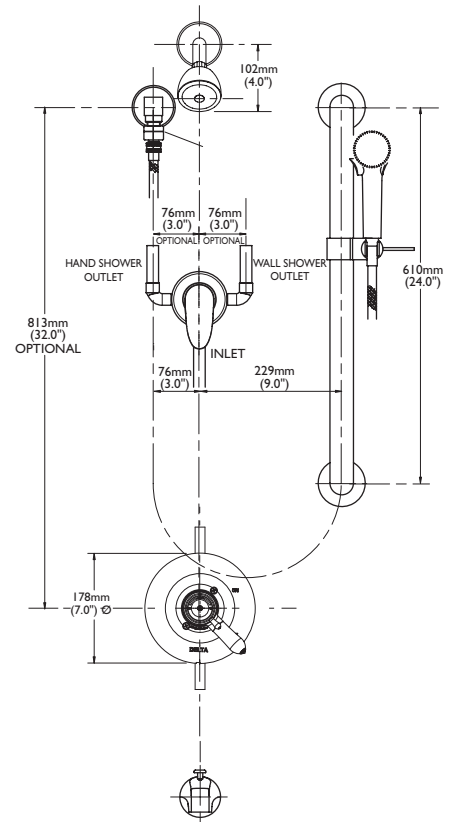
■ No. 3 & 9

R10700-UNWS ROUGH-IN WITH T17TH935 TRIM

SIDE VIEW



FRONT VIEW



P/B VALVE INLETS:

1/2" Universal inlets accept 1/2" copper, 1/2" Iron pipe, PEX or CPVC adaptors
1/2" Male thread inlets/outlets

DIVERTER VALVE:

1/2" FIP inlets/outlets

*CHECK WITH LOCAL CODE AUTHORITIES FOR MOUNTING HEIGHT REQUIREMENTS.

PAUSE WARNING FOR PRODUCT VARIATIONS #3 AND #9

Plumbing Codes require that shower heads and hand showers provide a small but continuous flow of water (trickle) when in "PAUSE" mode. Because of this continuous flow, in certain circumstances pressure variations in the water line and/or changes in the position of the shower temperature control handle while in "PAUSE" mode could result in dramatic changes to the temperature of the water when the shower head or hand shower is returned to the "ON" position.

ALWAYS point the shower head away from yourself when returning to the "ON" position and feel the water with your hand before resuming your shower to ensure the water flow is not too hot or too cold. DO NOT allow children or others who might not understand this warning to use the "PAUSE" function.

Note: Measurements may vary ± 6mm (0.25")