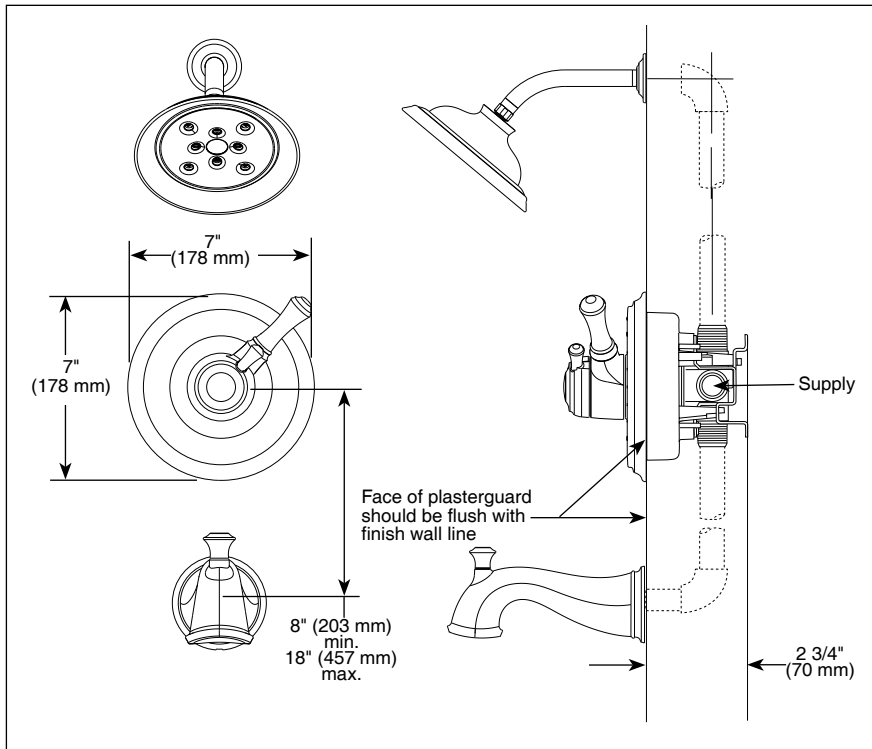
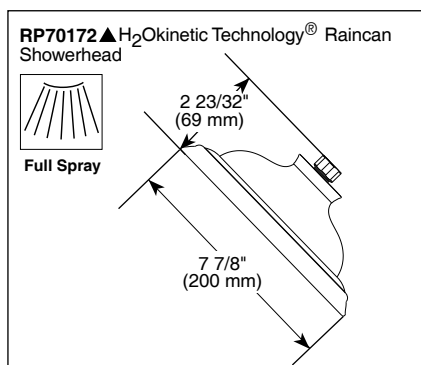
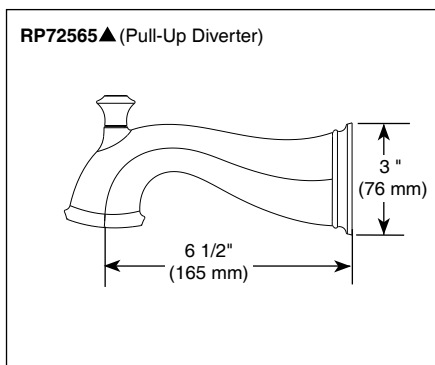


Submitted Model No.: \_\_\_\_\_

Specific Features: \_\_\_\_\_



▲ Designate Proper Finish Suffix



# TUB AND SHOWER FAUCET TRIM

- Cassidy™ Series
- Valve Only (T17097)
- Shower Only (T17297)
- Tub/Shower (T17497)

## STANDARD SPECIFICATIONS:

- Monitor® 17 Series pressure balanced bath mixing valve with Scald-Guard®
- Maintains a balanced pressure of hot and cold water even when a valve is turned on or off elsewhere in the system.
- Must also order MultiChoice® universal rough separately.
- Back-to-back installation capability.
- Solid brass forged body.
- Lever volume control handle; temperature adjustment dial.
- Field adjustable to limit handle rotation into hot water zone.
- Maximum dial rotation adjustable between 90° and 180°.
- For use with automatic compensating valves rated at 7.48 L/min (1.92 gpm) or less.
- All parts replaceable from the front of the valve.
- H<sub>2</sub>Okinetic Technology® 2.0 gpm max @ 80 PSI.

## WARRANTY

- Lifetime Faucet and Finish Limited Warranty to the original consumer purchaser to be free from defects in material and workmanship.
- 5 Year Limited Warranty for usage in all industrial, commercial and business applications.

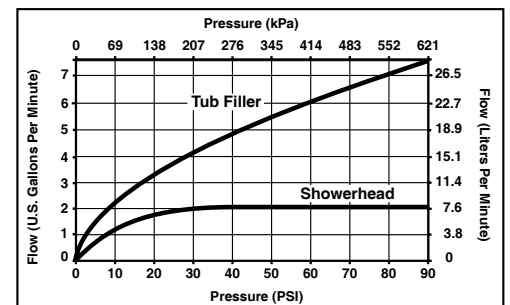


## COMPLIES WITH:

- ASME A112.18.1 / CSA B125.1
- ASSE 1016

Indicates compliance to ICC/ANSI A117.1

- EPA WaterSense



55 E. 111th Street, Indianapolis, Indiana 46280  
 350 South Edgeware Road, St. Thomas, Ontario Canada N5P 4L1  
 © 2012 Masco Corporation of Indiana

Delta reserves the right (1) to make changes in specifications and materials, and (2) to change or discontinue models, both without notice or obligation. Dimensions are for reference only. See current full-line price book or www.specselect.com for finish options and product availability.

DSP-B-T17097 Rev. A