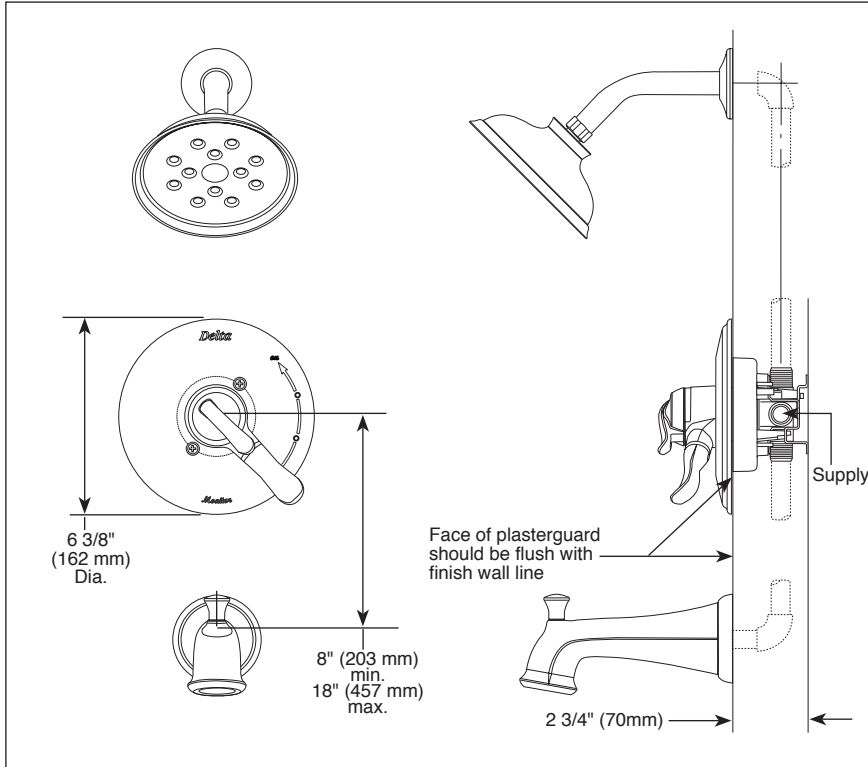
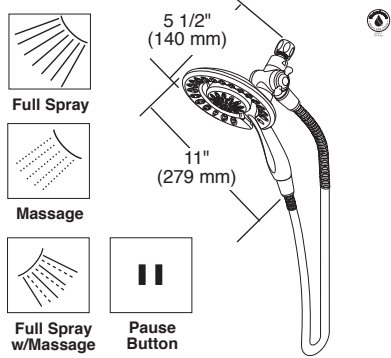


Submitted Model No.: _____

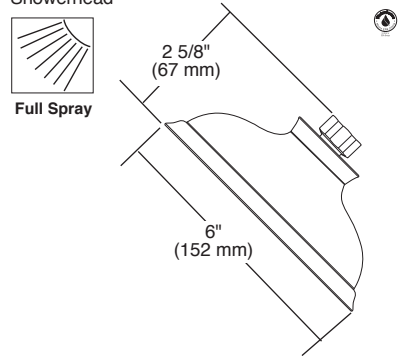
Specific Features: _____



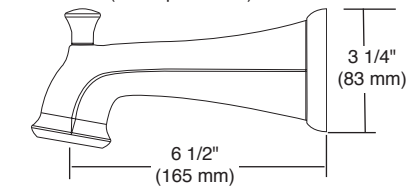
58065▲ Touch Clean® Raincan Showerhead



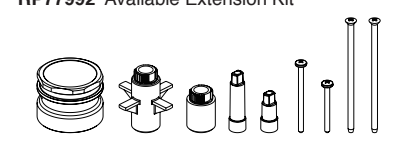
RP70173▲ H₂O Kinetic Technology® Raincan Showerhead



RP52153▲ (Pull-Up Diverter)



RP77992 Available Extension Kit



see what Delta can do™

TUB AND SHOWER FAUCET TRIM

- Linden™ Bath Collection
- Valve Only (T17093 & T17094 Series)
- Shower Only (T17293, T17293-I, T17294 & T17294-I Series)
- Tub/Shower (T17493, T17493-I, T17494 & T17494-I Series)

FEATURES:

- Monitor® 17 Series pressure balanced bath mixing valve trim
- Showerheads include H₂Okinetic® Technology
- In2ition® available select models with -I suffix

STANDARD SPECIFICATIONS:

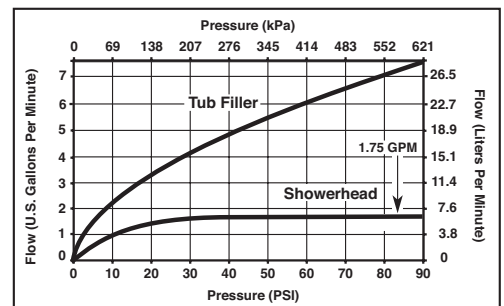
- Maintains a balanced pressure of hot and cold water even when a valve is turned on or off elsewhere in the system
- For use with MultiChoice® Universal rough valve body (R10000 Series)
- Back-to-back installation capability
- Solid brass forged body
- Lever volume control handle; temperature adjustment dial
- Field adjustable to limit handle rotation into hot water zone
- Maximum dial rotation adjustable between 90° and 180°
- All parts replaceable from the front of the valve
- Maximum 1.75 gpm @ 80 psi, 6.6 L/min @ 550 kPa
- Stem extension kit RP77992 can be ordered to allow for an additional 1 3/4" wall thickness. RP77992 ships with chrome escutcheon screws. For special finishes also order RP12630 escutcheon screws in desired finish.

WARRANTY

- Lifetime limited warranty on parts (other than electronic parts and batteries) and finishes: or, for commercial users, for 5 years from date of purchase.
- 5 year limited warranty on electronic parts (other than batteries); or, for commercial users, for 1 year from the date of purchase. No warranty is provided on batteries.

COMPLIES WITH:

- ASME A112.18.1 / CSA B125.1
- ASSE 1016
- Indicates compliance to ICC/ANSI A117.1 - Valve control only
- EPA WaterSense®



▲ Designate Proper Finish Suffix

Delta reserves the right (1) to make changes in specifications and materials, and (2) to change or discontinue models, both without notice or obligation. Dimensions are for reference only. See current full-line price book or www.deltafaucet.com for finish options and product availability.

DSP-B-T17094 Rev. F

Delta Faucet Company

55 E. 111th Street, Indianapolis, Indiana 46280
350 South Edgeware Road, St. Thomas, ON N5P 4L1
© 2017 Delta Faucet Company