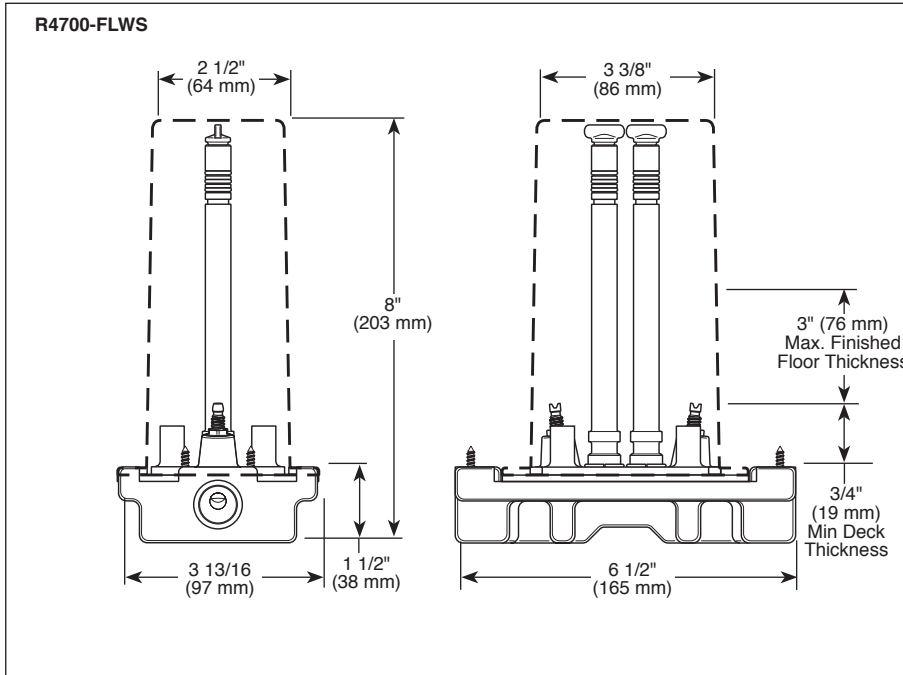


R4700-FLWS

Submitted Model No.: _____

Specific Features: _____



SINGLE HOLE FREESTANDING FLOOR MOUNTED TUB FILLER ROUGH-IN

■ R4700-FLWS (With Stops)

STANDARD SPECIFICATIONS:

- 1/2" NPT female inlets.
- Forged brass body.
- Available with integrated stops (R4700-FLWS).
- Innovative mounting system provides for simple stable installation.
- Accommodates finished floor thickness up to 3".
- Pre-assembled test caps allow air or water pressure testing without trim.
- Pre-assembled protective plasterguard with information label indicating finished floor location.
- Pre-assembled gasket to isolate living space.
- Trim sold separately.

WARRANTY

- Lifetime limited warranty on parts (other than electronic parts and batteries) and finishes; or, for commercial users, for 5 years from date of purchase.
- 5 year limited warranty on electronic parts (other than batteries); or, for commercial users, for 1 year from the date of purchase. No warranty is provided on batteries.

COMPLIES WITH:

- ASME A112.18.1 / CSA B125.1



55 E 111th Street, Indianapolis, Indiana 46280
350 South Edgeware Road, St. Thomas, ON N5P 4L1
© 2015 Masco Corporation of Indiana

Delta reserves the right (1) to make changes in specifications and materials, and (2) to change or discontinue models, both without notice or obligation. Dimensions are for reference only. See current full-line price book or www.deltafaucet.com for finish options and product availability.

DSP-B-R4700-FLWS Rev. C