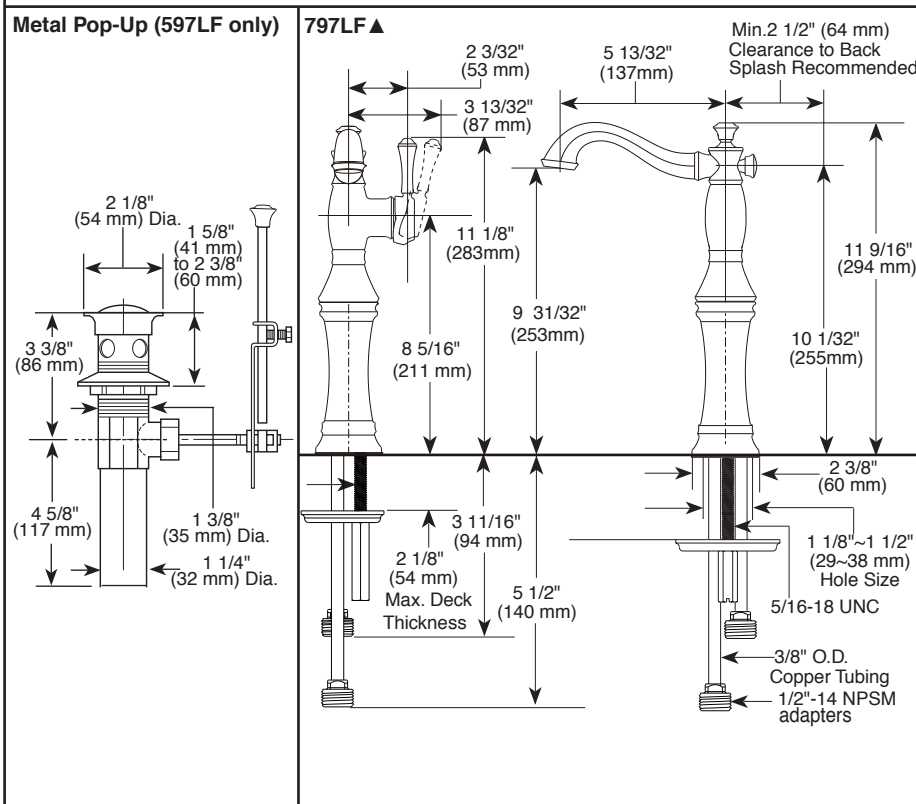
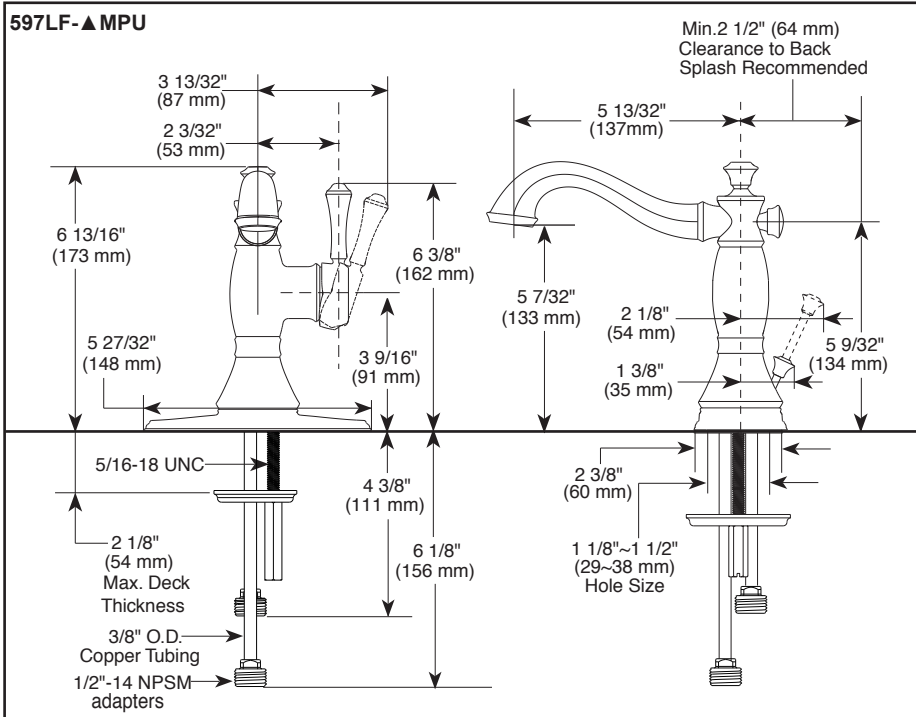


Submitted Model No.: _____
 Specific Features: _____



LAVATORY FAUCETS

- Cassidy™ Series
- Single Handle Deck Mount
- Single or 3 Hole Sink Applications
- Single Hole Riser Models

STANDARD SPECIFICATIONS

- Single handle lavatory sink faucets for exposed mounting on single or 3 hole sinks.
- Solid brass fabricated body.
- 6 13/16" (173 mm) high, 5 13/32" (137 mm) long, spout with model 597LF.
- 11 9/16" (294 mm) high, 5 13/32" (137 mm) long, spout with model 797LF.
- Lever handle. Control mechanism is replaceable cartridge with ceramic plates.
- Centermount or 4" (102 mm) centers with optional 5 27/32" (148 mm) escutcheon.
- 1/2" NPSM threaded male inlet shanks.
- Keyed trim ring and 5 27/32" (148 mm) escutcheon to help alignment and aid installation.
- Models have metal drain with pop-up type fitting with plated flange and stopper (597LF only).
- Mounting wrench to assist in tightening mounting nut securely.
- Thin deck mounting aid to help secure product if used on thin sinks.
- Maximum flow rate 1.5 gpm @ 60 PSI.

WARRANTY

- Lifetime limited warranty on parts (other than electronic parts and batteries) and finishes: or, for commercial users, for 5 years from date of purchase.
- 5 year limited warranty on electronic parts (other than batteries); or, for commercial users, for 1 year from the date of purchase. No warranty is provided on batteries.



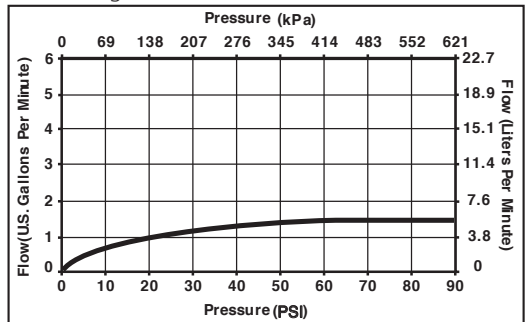
COMPLIES WITH:

- ASME A112.18.1 M / CSA B125.1

Indicates compliance to ICC/ANSI A117.1

- EPA WaterSense®

Verified compliant with 0.25% weighted average Pb content regulations.



55 E. 111th Street, Indianapolis, Indiana 46280
 350 South Edgeware Road, St. Thomas, Ontario Canada N5P 4L1
 © 2013 Masco Corporation of Indiana

▲ Designate proper finish suffix

Delta reserves the right (1) to make changes in specifications and materials, and (2) to change or discontinue models, both without notice or obligation. Dimensions are for reference only. See full-line price book or www.deltafaucet.com for finish options and product availability.