

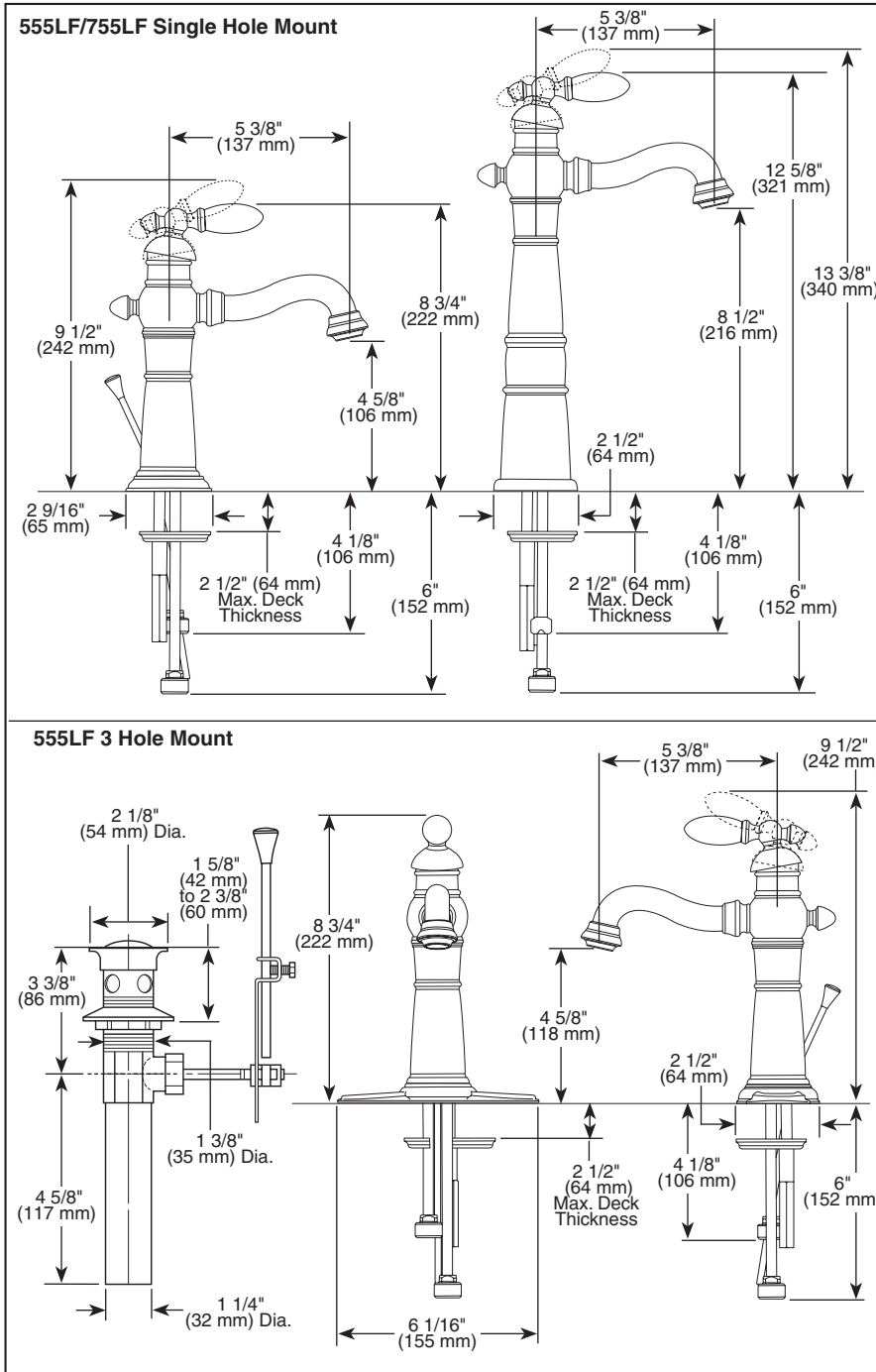
DELTA

LAVATORY FAUCETS

- Victorian® Bath Collection
- Single Handle Deck Mount
- Single or 3 Hole Sink Applications
- Single Hole Riser Model

Submitted Model No.: _____

Specific Features: _____



STANDARD SPECIFICATIONS:

- Solid brass fabricated body.
- Centermount or 4" (102 mm) centers with optional 6 1/16" (155 mm) escutcheon.
- Lever handle. Control mechanism is replaceable cartridge with ceramic plates.
- Keyed trim ring and 6 1/16" (155 mm) escutcheon to help alignment and aid installation.
- 1/2" NPSM threaded male inlet shanks.
- Models have metal drain with pop-up type fitting with plated flange and stopper.
- Max. 1.5 gpm @ 60 psi, 5.7 L/min @ 414 kPa

WARRANTY

- Lifetime limited warranty on parts (other than electronic parts and batteries) and finishes: or, for commercial users, for 5 years from date of purchase.
- 5 year limited warranty on electronic parts (other than batteries); or, for commercial users, for 1 year from the date of purchase. No warranty is provided on batteries.



COMPLIES WITH:

- ASME A112.18.1 / CSA B125.1
- ASME A112.18.2 / CSA B125.2
- Indicates compliance to ICC/ANSI A117.1/ADA
- EPA WaterSense®
- Verified compliant with .25% weighted average Pb content regulations.



55 E 111th Street, Indianapolis, Indiana 46280
 350 South Edgeware Road, St. Thomas, ON N5P 4L1
 © 2015 Masco Corporation of Indiana

▲ Designate Proper Finish Suffix

Delta reserves the right (1) to make changes in specifications and materials, and (2) to change or discontinue models, both without notice or obligation. Dimensions are for reference only. See current full-line price book or www.deltafaucet.com for finish options and product availability.