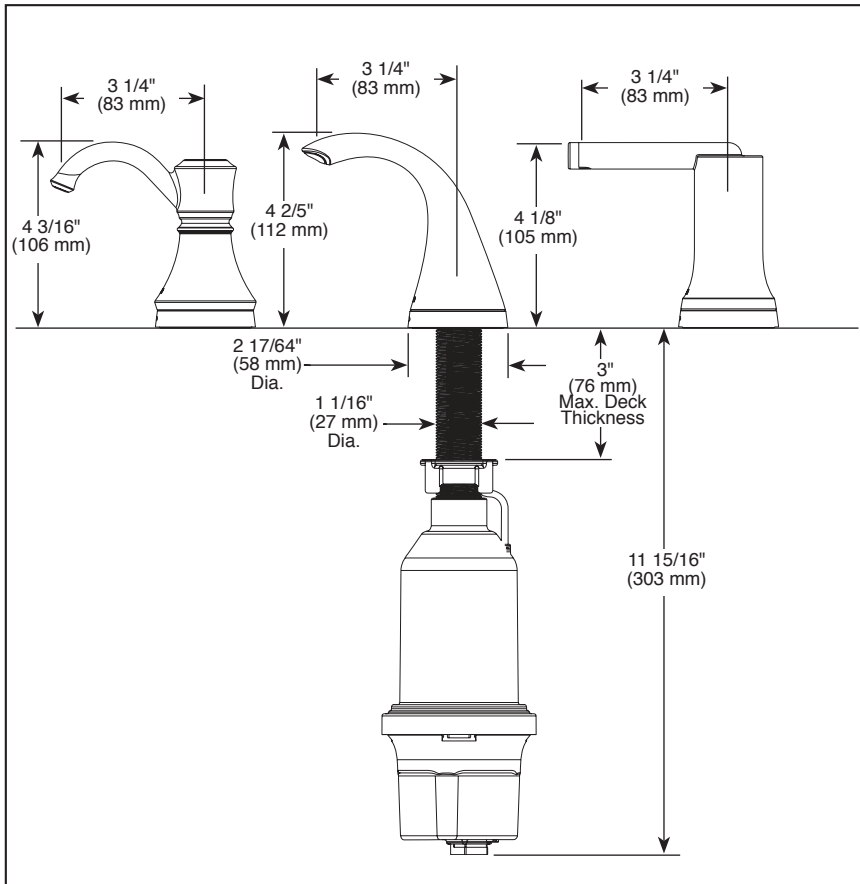


Submitted Model No.: \_\_\_\_\_

Specific Features: \_\_\_\_\_



▲ Designate Proper Finish Suffix



# SOAP DISPENSER

■ Transitional/Contemporary/Traditional Design

■ Touch<sub>2</sub>0.xt™ Technology

## STANDARD SPECIFICATIONS:

- For use with non-foaming hand soaps, dish soaps, and hand sanitizer.
- 13 ounce bottle.
- Refillable from above the deck.
- 3" max. deck thickness.
- Includes RP30395 refill funnel.
- ON/OFF feature turns the soap dispenser off by rotating the spout to the left or right.
- Delta Touch<sub>2</sub>0.xt™ Technology offers both touch and proximity sensing technology to activate.
- ON/OFF indicator light will flash blue with proximity activation and stay solid blue for touch activation.
- ON/OFF indicator light will signal red when batteries are low.
- Uses 6 AA batteries (included) or 6 C batteries (not included).
- Amount of soap dispensed can be programmed.

## WARRANTY

- Lifetime limited warranty on parts (other than electronic parts and batteries) and finishes: or, for commercial users, for 5 years from date of purchase.
- 5 year limited warranty on electronic parts (other than batteries); or, for commercial users, for 1 year from the date of purchase. No warranty is provided on batteries.

## COMPLIES WITH:

Indicates compliance to ICC/ANSI A117.1



Delta reserves the right (1) to make changes in specifications and materials, and (2) to change or discontinue models, both without notice or obligation. Dimensions are for reference only. See current full-line price book or [www.deltafaucet.com](http://www.deltafaucet.com) for finish options and product availability.

DSP-K-72045T Rev. C

55 E. 111th Street, Indianapolis, Indiana 46280  
350 South Edgeware Road, St. Thomas, ON N5P 4L1  
© 2015 Masco Corporation of Indiana