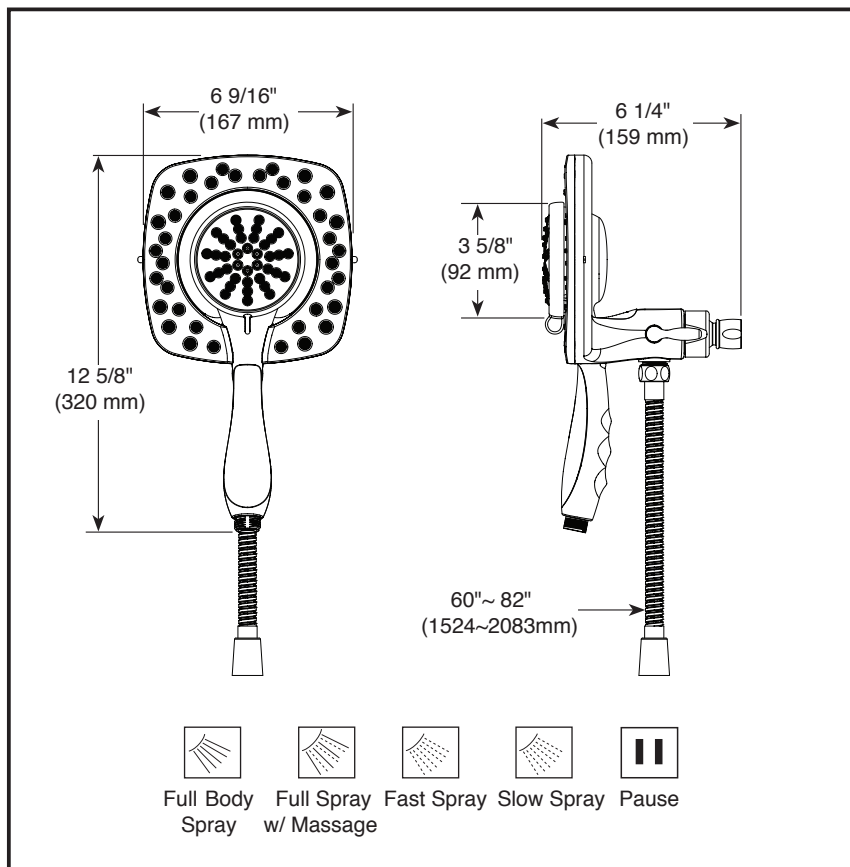




58066 ▲

Submitted Model No.: _____

Specific Features: _____



▲ Designate proper finish suffix



IN2ITION®

- 2-In-1 Shower
- 5 Spray Settings Handshower
- Certified Dual Check Valves

FEATURES:

- Touch-Clean® Nozzles

STANDARD SPECIFICATIONS

- Maximum 2.00 gpm @ 80 psi, 7.6 L/min. @ 552 kPa
- Integrated handshower docks securely into showerhead when not in use
- Operate hand shower, showerhead or use both at the same time
- 3-way diverter activates sprays
- Easy turn spray lever for simple spray selection
- 60"-82" (1524 - 2083 mm) metal stretchable hose
- Hand held shower with 5 spray settings - not a positive shut-off
- Adjustable shower arm mounting hands-free showering
- Diverter allows for single or shared operation of showerhead and handshower

WARRANTY

- Lifetime limited warranty on parts (other than electronic parts and batteries) and finishes; or, for commercial users, for 5 years from date of purchase.
- 5 year limited warranty on electronic parts (other than batteries); or, for commercial users, for 1 year from the date of purchase. No warranty is provided on batteries.



COMPLIES WITH:

- ASME A112.18.1 / CSA B125.1 ◆
- EPA WaterSense®

- ◆ Your Delta Faucet handshower incorporates a backflow protection system that has been tested to be in compliance with ASME A112.18.3 and ASME A112.18.1/CSA B125.1. It incorporates two certified check valves in series, which operate independently and are integral, non-serviceable parts of the wand assembly.

Delta reserves the right (1) to make changes in specifications and materials, and (2) to change or discontinue models, both without notice or obligation. Dimensions are for reference only. See current full-line price book or www.deltafaucet.com for finish options and product availability.

DSP-B-58066 Rev. A



55 E. 111th Street, Indianapolis, Indiana 46280
 350 South Edgeware Road, St. Thomas, Ontario Canada N5P 4L1
 © 2016 Masco Corporation of Indiana