

Submitted Model No.: _____

Specific Features: _____



RAINCAN SHOWERHEAD

■ Raincan Showerhead

STANDARD SPECIFICATIONS


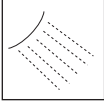
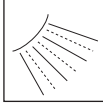
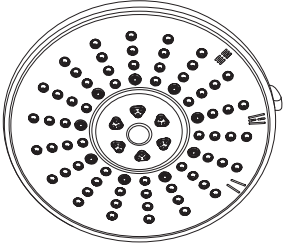
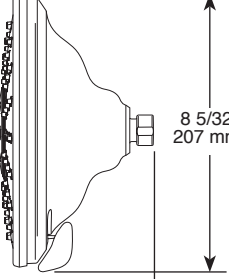
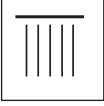
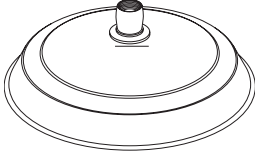
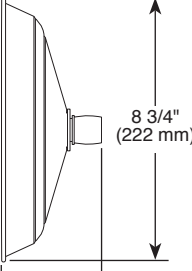
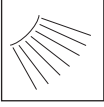
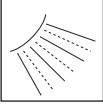
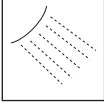


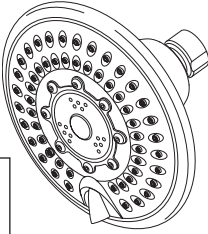
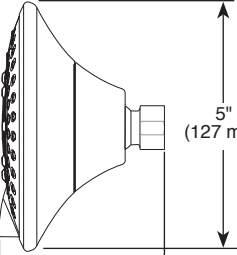
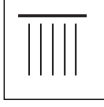
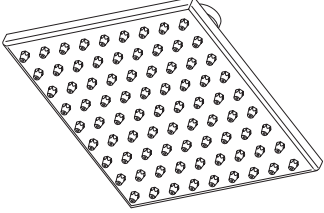
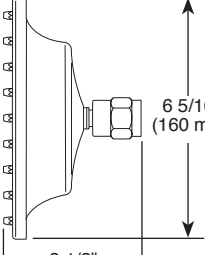
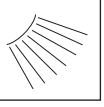
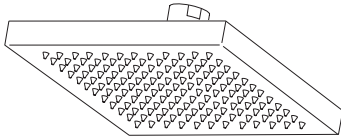
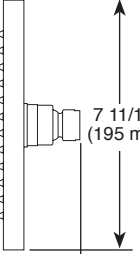
- Maximum 2.5 gpm at 80 psi (9.5L/Min @ 552 kPa)
- One to five spray showerhead
- 5"-8 1/2" spray face diameter
- Brass construction: 52682, 52689
- Touch-clean spray holes: 52680, 57740, 52683

WARRANTY

- Lifetime limited warranty on parts (other than electronic parts and batteries) and finishes; or, for commercial users, for 5 years from date of purchase.
- 5 year limited warranty on electronic parts (other than batteries); or, for commercial users, for 1 year from the date of purchase. No warranty is provided on batteries.

COMPLIES WITH:

- ASME A112.18.1 / CSA B125.1

<p>52680▲ Showerhead</p>  <p>Full Body Spray</p>  <p>Massaging Spray</p>  <p>Full Spray w/Massage</p>		 <p>8 5/32" (207 mm)</p> <p>4 11/16" (119 mm)</p>
<p>52682▲ Showerhead</p>  <p>Soft Rain Spray</p>		 <p>8 3/4" (222 mm)</p> <p>3 5/16" (84 mm)</p>
<p>52683▲ Showerhead</p>  <p>Full Body Spray</p>  <p>Full Spray w/Massage</p>  <p>Massaging Spray</p>  <p>Aerated Spray</p>  <p>Pause</p>		 <p>5" (127 mm)</p> <p>3 11/32" (85 mm)</p>
<p>52689▲ Showerhead</p>  <p>Soft Rain Spray</p>		 <p>6 5/16" (160 mm)</p> <p>3 1/2" (89 mm)</p>
<p>57740▲ Showerhead</p>  <p>Full Body Spray</p>		 <p>7 11/16" (195 mm)</p> <p>2 9/16" (65 mm)</p>

▲ Designate proper finish suffix

Delta reserves the right (1) to make changes in specifications and materials, and (2) to change or discontinue models, both without notice or obligation. Dimensions are for reference only. See current full-line price book or www.deltafaucet.com for finish options and product availability.

DSP-B-52680 Rev. C



55 E. 111th Street, Indianapolis, Indiana 46280
350 South Edgeware Road, St. Thomas, ON N5P 4L1
© 2015 Masco Corporation of Indiana