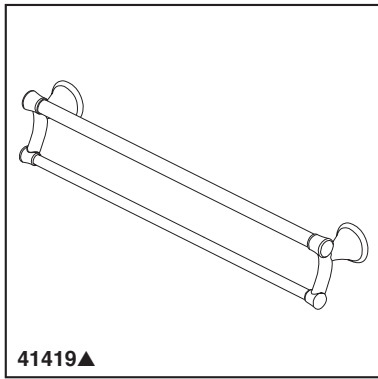




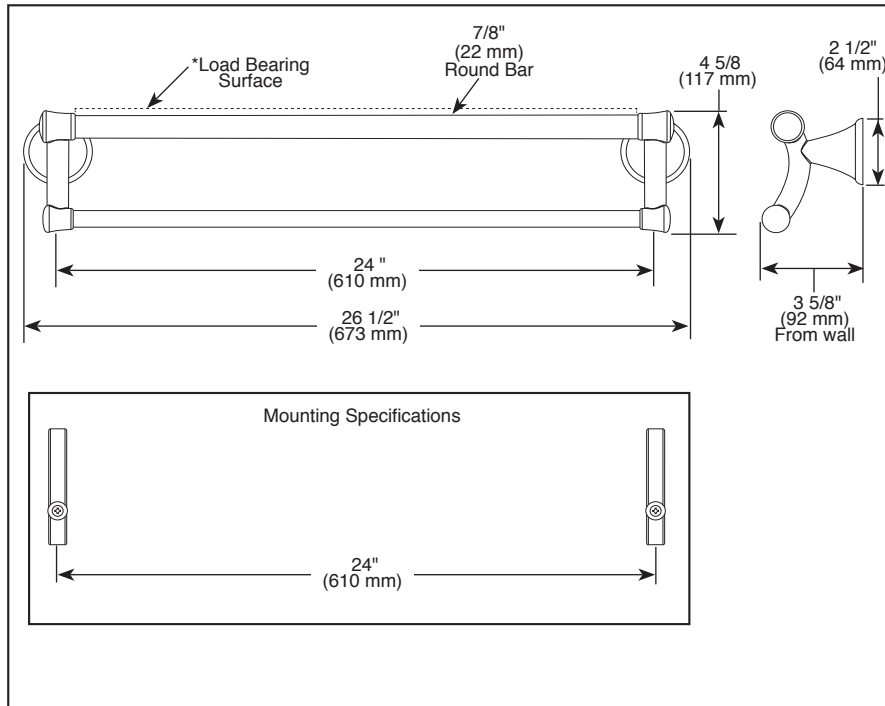
## ACCESSORIES

- Décor Assist™
- Transitional Towel Bar with Assist Bar



Submitted Model No.: \_\_\_\_\_

Specific Features: \_\_\_\_\_



▲ Designate Proper Finish Suffix

### STANDARD SPECIFICATIONS:

- Wood blocking is preferable behind all wall surfaces. If wood blocking is not available, the supplied fasteners are recommended.
- Mounting hardware and mounting template included with product.
- 7/8" diameter assist bar.
- Meets ADA load requirement when properly installed.
- \*Maximum 300 lbs. as an assist bar on indicated surface.

### WARRANTY

- Lifetime Faucet and Finish Limited Warranty to the original consumer purchaser to be free from defects in material and workmanship.
- 5 Year Limited Warranty for usage in all industrial, commercial and business applications.

Delta reserves the right (1) to make changes in specifications and materials, and (2) to change or discontinue models, both without notice or obligation. Dimensions are for reference only. See current full-line price book or [www.deltafaucet.com](http://www.deltafaucet.com) for finish options and product availability.

DSP-A-41419 Rev. A



Liberty Hardware Manufacturing Corporation  
 140 Business Park Drive  
 Winston-Salem, NC 27107  
 800.542.3789  
[www.libertyhardware.com](http://www.libertyhardware.com)  
 © 2013 LHMC, A Masco Company