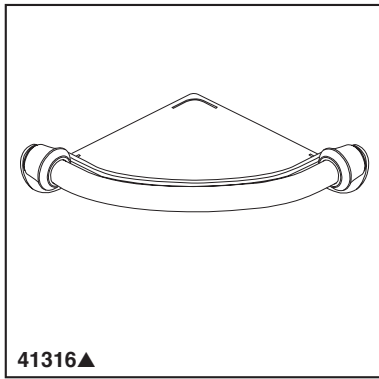




# ACCESSORIES

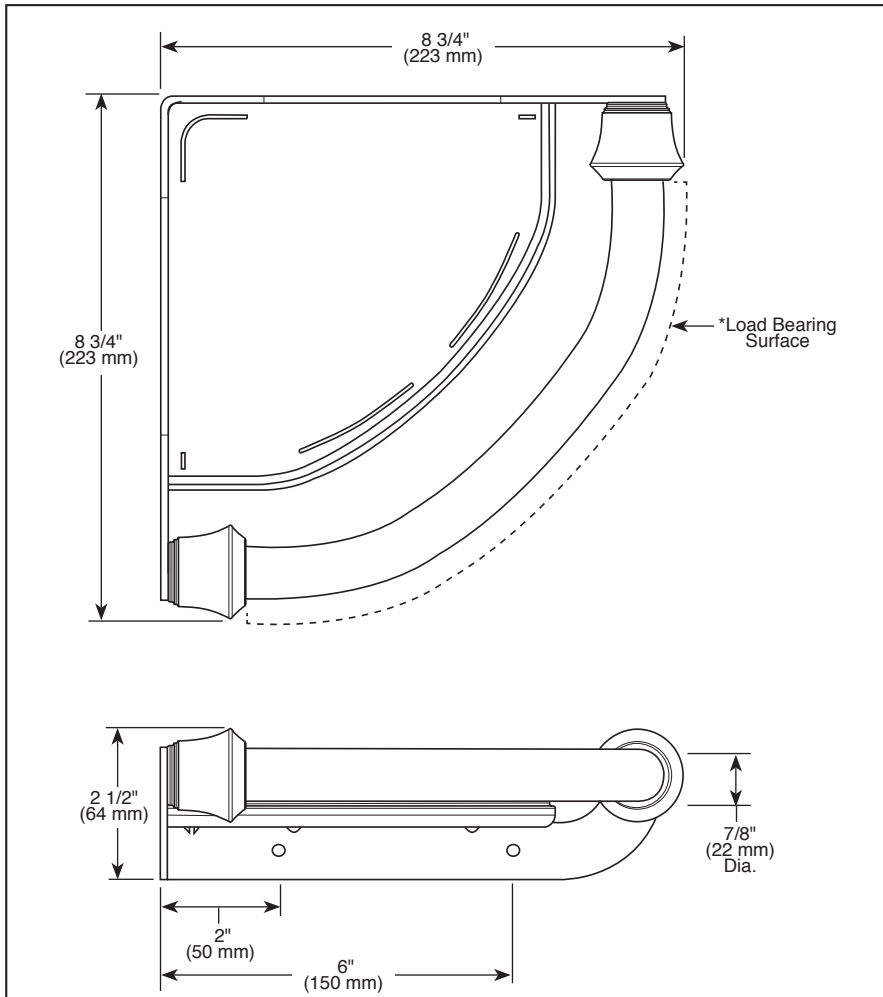
- Décor Assist™
- Traditional Corner Shelf with Assist Bar



41316▲

Submitted Model No.: \_\_\_\_\_

Specific Features: \_\_\_\_\_

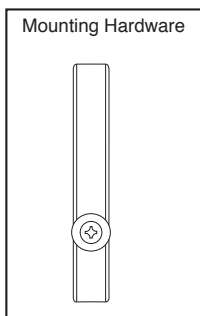


### STANDARD SPECIFICATIONS:

- Wood blocking is preferable behind all wall surfaces. If wood blocking is not available, the supplied fasteners are recommended.
- Mounting hardware and mounting template included with product.
- 7/8" diameter assist bar.
- Meets ADA load requirement when properly installed.
- \*Maximum 300 lbs. as an assist bar on indicated surface.

### WARRANTY

- Lifetime Faucet and Finish Limited Warranty to the original consumer purchaser to be free from defects in material and workmanship.
- 5 Year Limited Warranty for usage in all industrial, commercial and business applications.



▲ Designate Proper Finish Suffix

Delta reserves the right (1) to make changes in specifications and materials, and (2) to change or discontinue models, both without notice or obligation. Dimensions are for reference only. See current full-line price book or [www.deltafaucet.com](http://www.deltafaucet.com) for finish options and product availability.

DSP-A-41316 Rev. A



Liberty Hardware Manufacturing Corporation  
140 Business Park Drive  
Winston-Salem, NC 27107  
800.542.3789  
[www.libertyhardware.com](http://www.libertyhardware.com)  
© 2013 LHMC, A Masco Company