

Specification: (example)

Brass body diverter valve, ADA compliant lever handle, polished chrome-plated metal trim.

❑ **061058A** 



❑ **060274A**

76 mm (3") Diameter wall thermometer, 18 to 82° C (0 to 180° F), stainless steel construction with shatterproof Lexan lens, complete with cast brass tee, polished chrome-plated brass nipple and set screw wall flange.



❑ **54T1200** 

With 70mm (2-3/4") ADA compliant lever blade handle and integral stop. In-wall, volume control stop, TUF-TECK[®] institutional structure, polished chrome-plated finish exposed metal trim, color indexed metal handle with vandal resistant screw, 1/2" FIP inlet/outlet.



❑ **U4760-PK** 

Brass body volume control, polished chrome plated finish, flow adjustment lever handle, 1/2" NPS inlet/outlet.



❑ **060605A**

Forged brass Toe Tester Spout, polished chrome-plated finish, 1/2" FIP inlet.



❑ **060710A**

Bent Shower arm, metal set screw wall flange.



❑ **RP7406**

Swivel handshower connector with hole for vertical mounting pin, 1/2" NPS inlet & outlet, plastic and chrome-plated.



❑ **U9501-PK**

Brass wall mounted bracket, vertical mounting pin, polished chrome-plated finish.



❑ **060303A**

Brass wall mounted elbow, flange, polished chrome-plated finish, 1/2" NPT inlet & outlet.



❑ **060798A**

1/2" NPT inlet/outlet polished chrome-plated brass atmospheric in-line vacuum breaker. Certified under ASSE 1011/CSA B64.2.



❑ **U495V-69-PK** 

1753 mm (69") long white vinyl handshower hose, nylon reinforced.



❑ **U495D-69-PK** 

1753 mm (69") long chrome-plated stainless steel handshower hose stretches to 2337 mm (92").

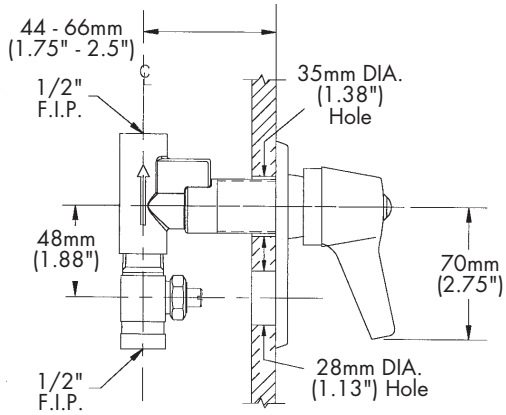
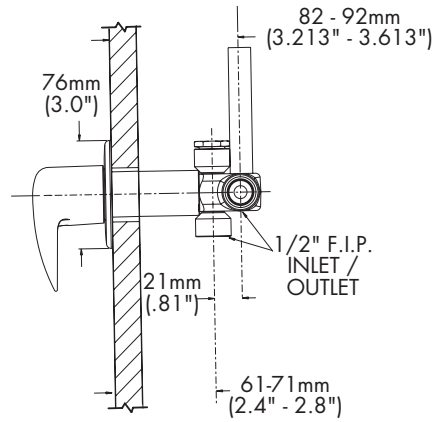
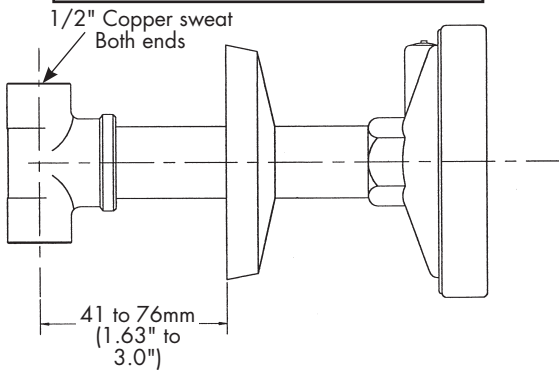


❑ **U7500**

Quick disconnect connectors for handshower hose.



Note: Measurements may vary ± 6mm (0.25")

54T1200 CONTROL VALVE

061058A DIVERTER VALVE

060274A WALL THERMOMETER

060605A TOE TESTER SPOUT
