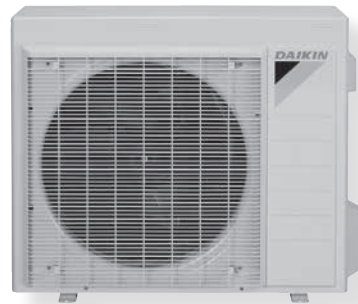


HIGH-EFFICIENCY WALL-MOUNTED DUCTLESS SYSTEMS

PERFORMANCE:

- 15 SEER
- UP TO 12.2 EER
- 8.2 HSPF

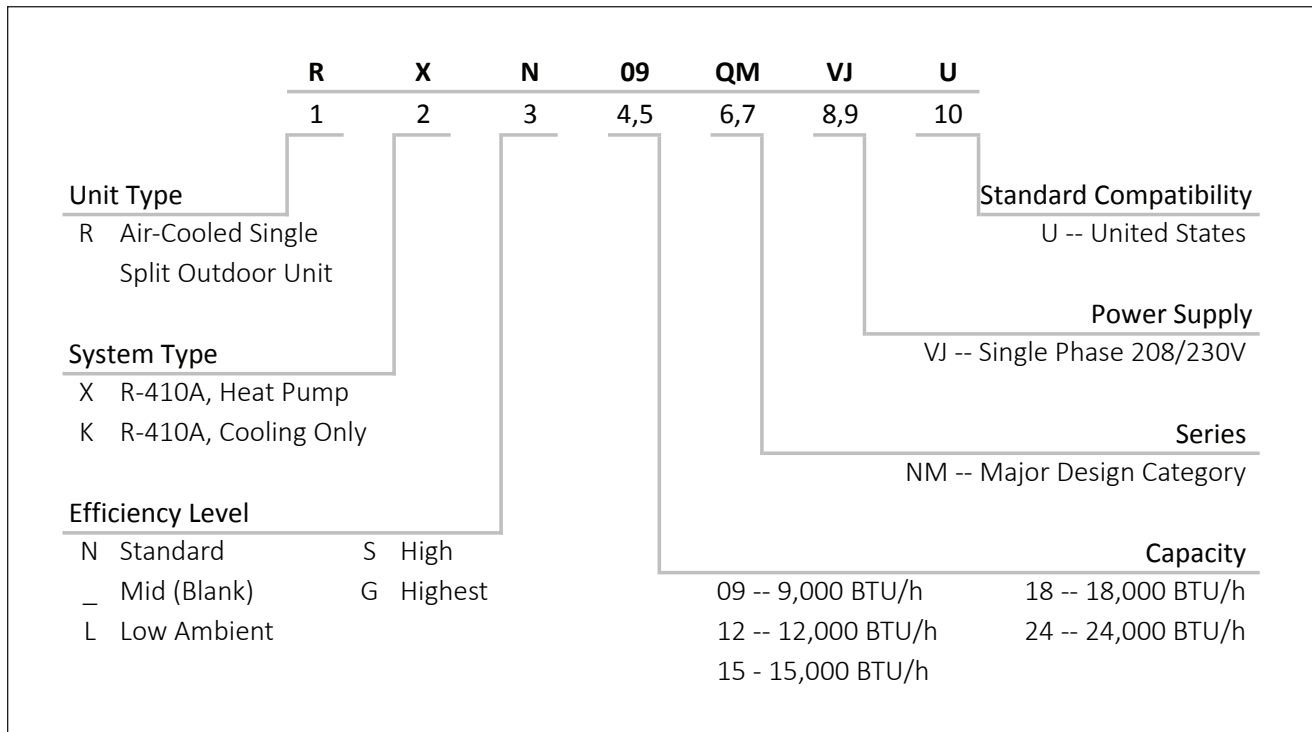
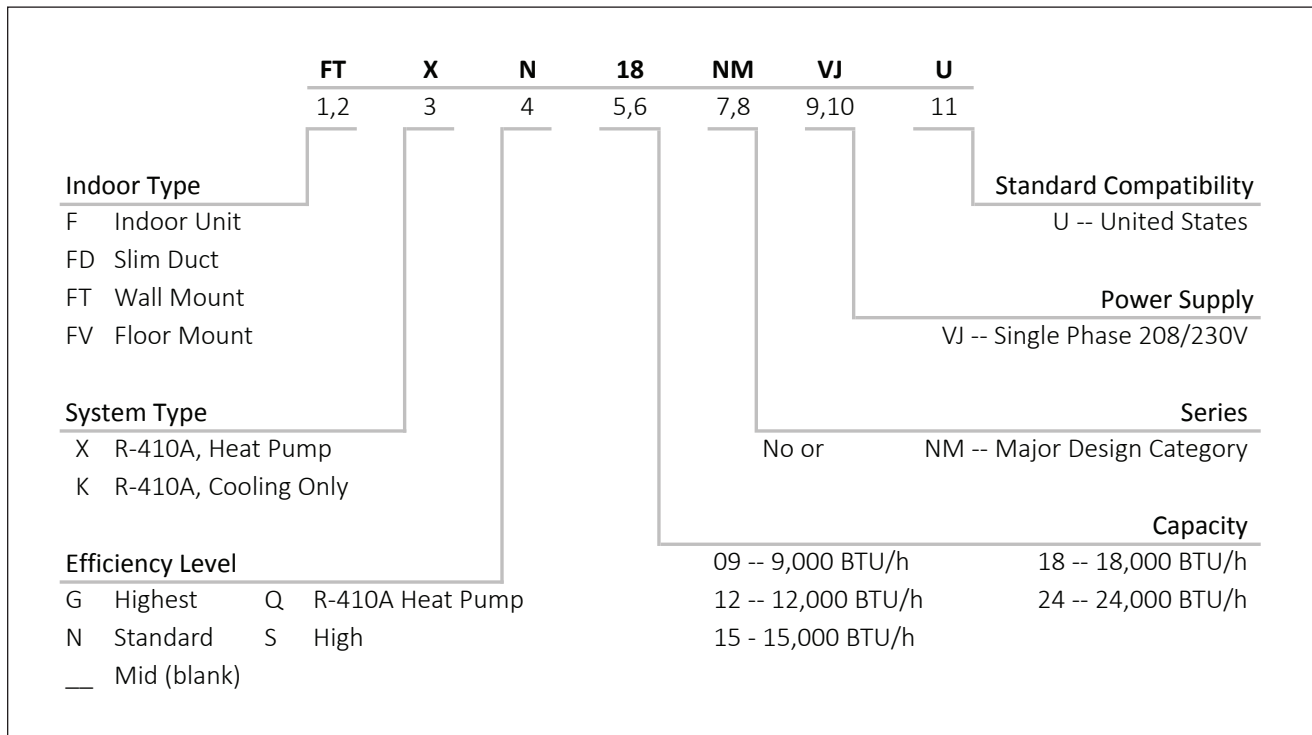


Product Features

- Inverter Compressor
- 208/230/1 Power Supply
- Cooling Range: 50° - 115° F
- Heating Range: 5° - 75° F
- Pre-charged for up to 33 ft of Liquid Line
- Indoor Sound Pressure as Low as 19 dB(A)
- Outdoor Sound Pressures as Low as 46 dB(A)
- Washable Air Filter
- Econo Mode
- Program Dry Function
- Powerful Operation Mode
- Wireless Remote Controller
- Outdoor Unit Quiet Operation
- Auto Changeover (Heat Pump Only)
- Auto Fan Speed Control
- Self-Diagnostics with Digital Display
- Auto Restart after Power Failure
- Anti-Corrosion Treatment on Heat Exchanger
- Max Piping (09/12 MBH): 49' Length, 39' Height
- Max Piping (18/24 MBH): 98' Length, 66' Height



* Complete warranty details available from your local dealer or at www.daikincomfort.com. To receive the 10-Year Parts Limited Warranty, online registration must be completed within 60 days of installation. Online registration and some of the additional requirements are not required in California or Quebec.



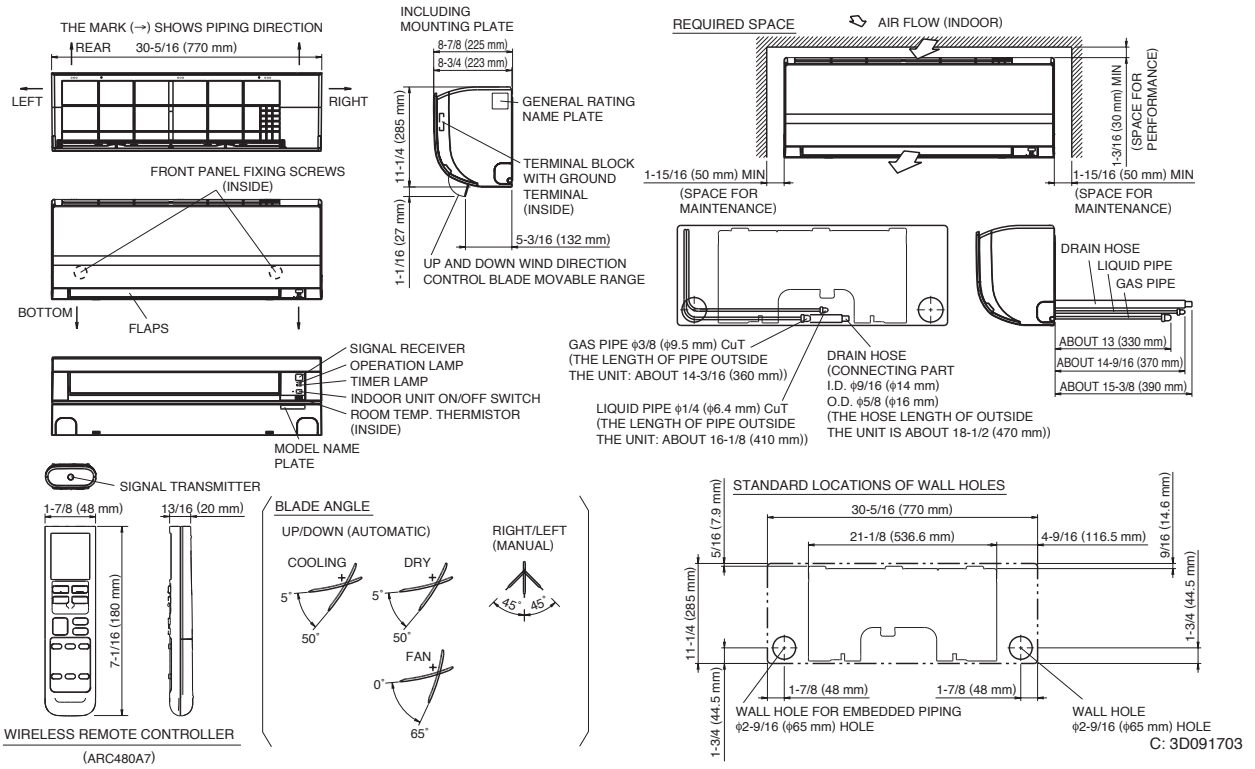
SYSTEM PERFORMANCE					
Nominal Capacity Class		9,000	12,000	18,000	24,000
Cooling Capacity (Rated)	BTU/h	9,000	12,000	17,100	22,000
Cooling Capacity (Min – Max)	BTU/h	4,400-10,200	4,400-13,000	5,100-18,000	5,100-23,000
Heating Capacity (Rated)*	BTU/h	9,000	12,000	18,000	22,000
Heating Capacity (Min – Max)*	BTU/h	4,400-10,000	4,400-14,000	5,100-19,100	5,100-25,400
SEER		15	15	15	15
EER (AC/ HP)		10.4	10.5	11.0/ 12.2	9.2
COP		3.9	3.9	3.8	3.6
HSPF*		8.2	8.2	8.2	8.2
ELECTRICAL DATA					
Power Supply	V/Ph/Hz	208-230 / 1 / 60	208-230 / 1 / 60	208-230 / 1 / 60	208-230 / 1 / 60
Minimum Circuit Amps	A	7.9 Cool / 10.1 Heat	8.6 Cool / 10.1 Heat	9.5 Cool / 13.3 Heat	18.3
Maximum Overcurrent Protection	A	15	15	20	20
Power Consumption - Cooling	kW	0.9	1.1	1.4	2.4
Power Consumption - Heating*	kW	0.7	0.9	1.4	1.8

INDOOR WALL-MOUNTED UNITS						
Indoor Model Name		Cooling Only Heat Pump	FTKN09NMVJU FTXN09NMVJU	FTKN12NMVJU FTXN12NMVJU	FTKN18NMVJU FTXN18NMVJU	FTKN24NMVJU FTXN24NMVJU
Moisture Removal		Q/hr	1.3	1.8	4.1	4.8
Airflow-Wet (H/M/L/SL)		CFM	11.4/ 8.1/ 6.2/ 4.1	12/ 8.5/ 7.0/ 4.0	20.2/ 16.4/ 12.9/ 11.8	20.2/ 16.4/ 13.9/ 11.8
Airflow-Dry (H/M/L/SL)*		CFM	11.5/ 9.0/ 7.0/ 6.1	11.7/ 9.1/ 7.0/ 6.0	18.7/ 16.1/ 13.3/ 11.9	21.1/ 17.1/ 13.3/ 11.9
Sound Pressure - Cooling (H/M/L/SL)		dB(A)	43/ 35/ 27/ 19	44/ 36/ 30/ 19	48/ 44/ 38/ 33	51/ 45/ 39/ 34
Sound Pressure - Heating (H/M/L/SL)*		dB(A)	43/ 35/ 28/ 25	44/ 36/ 29/ 26	48/ 42/ 37/ 33	41/ 43/ 37/ 34
Piping Connections	Liquid (O.D.)	in.	∅ ¾	∅ ¾	∅ ¾	∅ ¾
	Gas (O.D.)	in.	∅ ¾	∅ ¾	∅ ½	∅ ¾
	Condensate Drain	in.	∅ ¾	∅ ¾	∅ 1/16	∅ 1/16
Dimensions (H x W x D)		in.	11¼ x 30¾ x 8¼		11¼ x 39 x 10¾	
Net Weight		lbs.	18	18	26	26

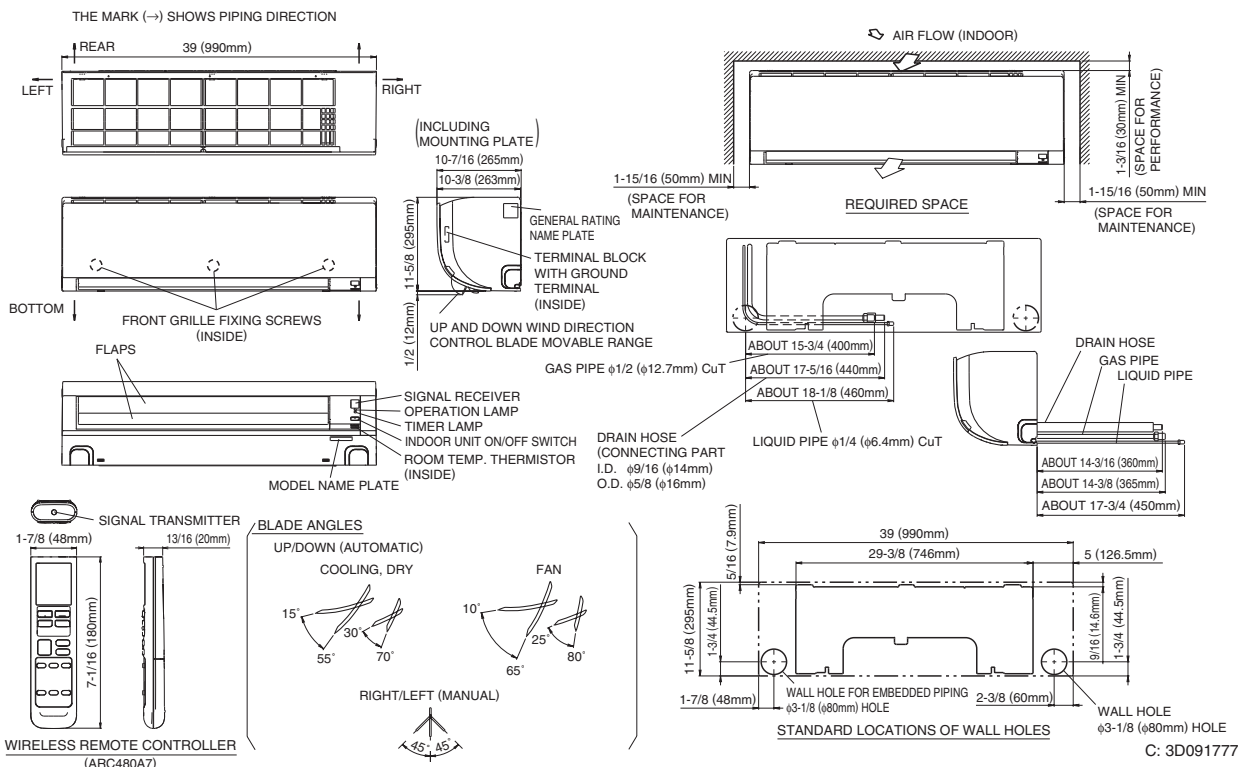
OUTDOOR UNITS					
Model Name	Cooling Only Heat Pump	RKN09NMVJU RXN09NMVJU	RKN12NMVJU RXN12NMVJU	RKN18NMVJU RXN18NMVJU	RKN24NMVJU RXN24NMVJU
Sound Pressure Level - Cooling/Heating*	dB(A)	46/ 48	49/ 49	54/ 54	55/ 55
Operating Range - Cooling	°F DB	50 - 115	50 - 115	50 - 115	50 - 115
Operating Range - Heating*	°F DB	5 - 75	5 - 75	5 - 75	5 - 75
Max. Piping Length	ft.	49	49	98.4	98.4
Max. Piping Height	ft.	39	39	65.6	65.6
Dimensions (H x W x D)	in.	21¼ x 26½ x 11¼		29 x 34¼ x 12¾	
Net Weight	lbs.	53	53	97	97

*Applicable to heat pump models only

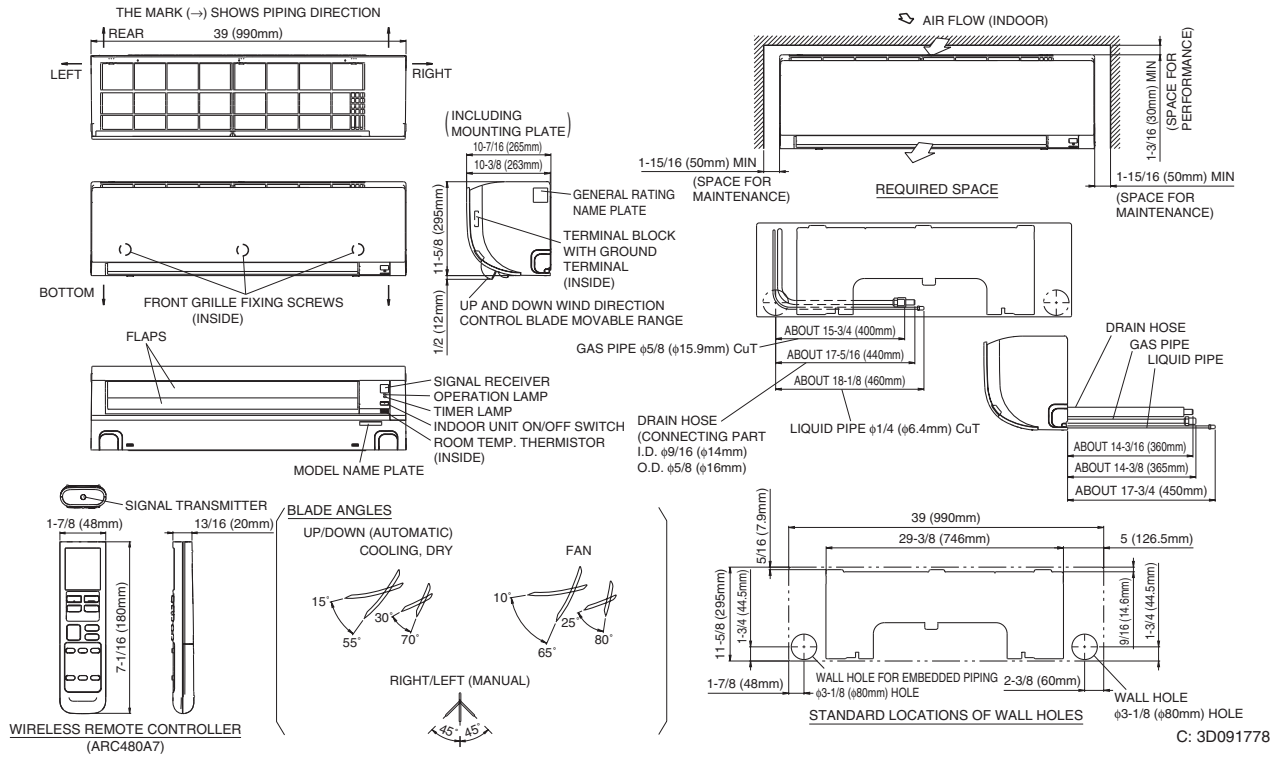
FTKN09/12NMVJU



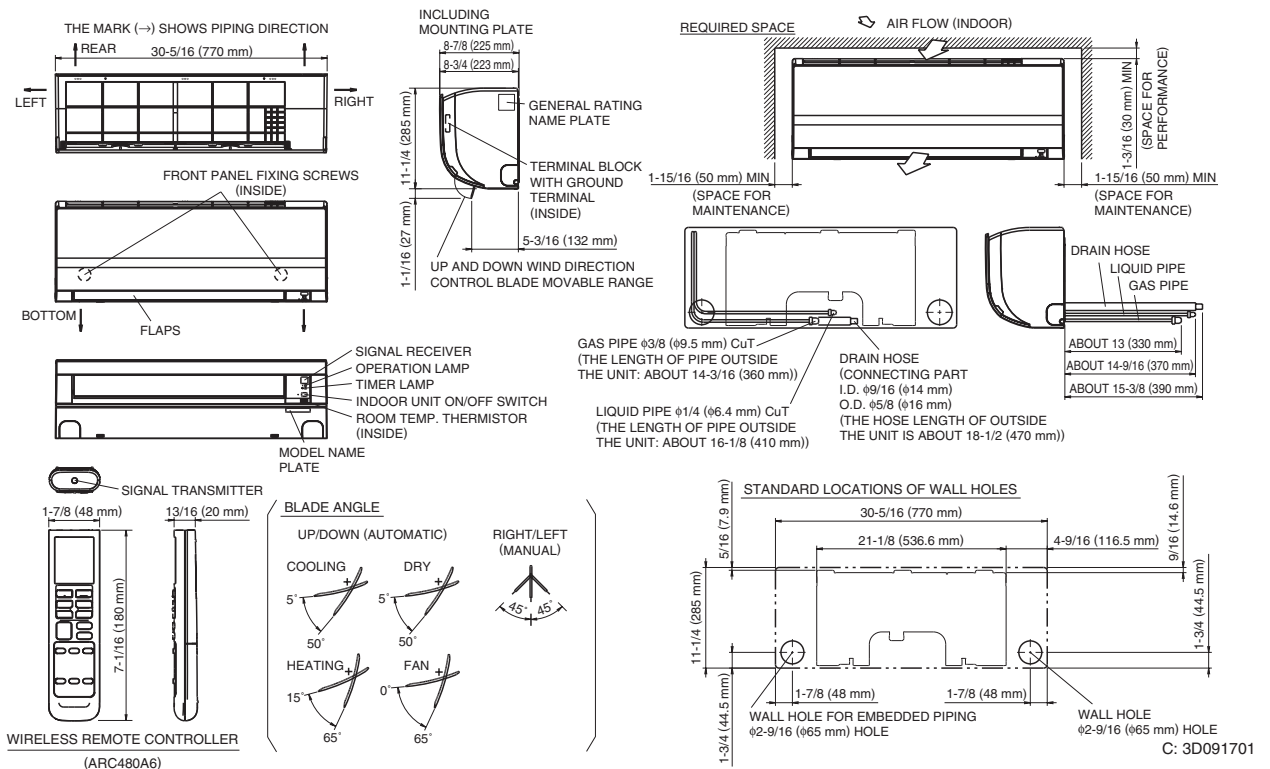
FTKN18NMVJU



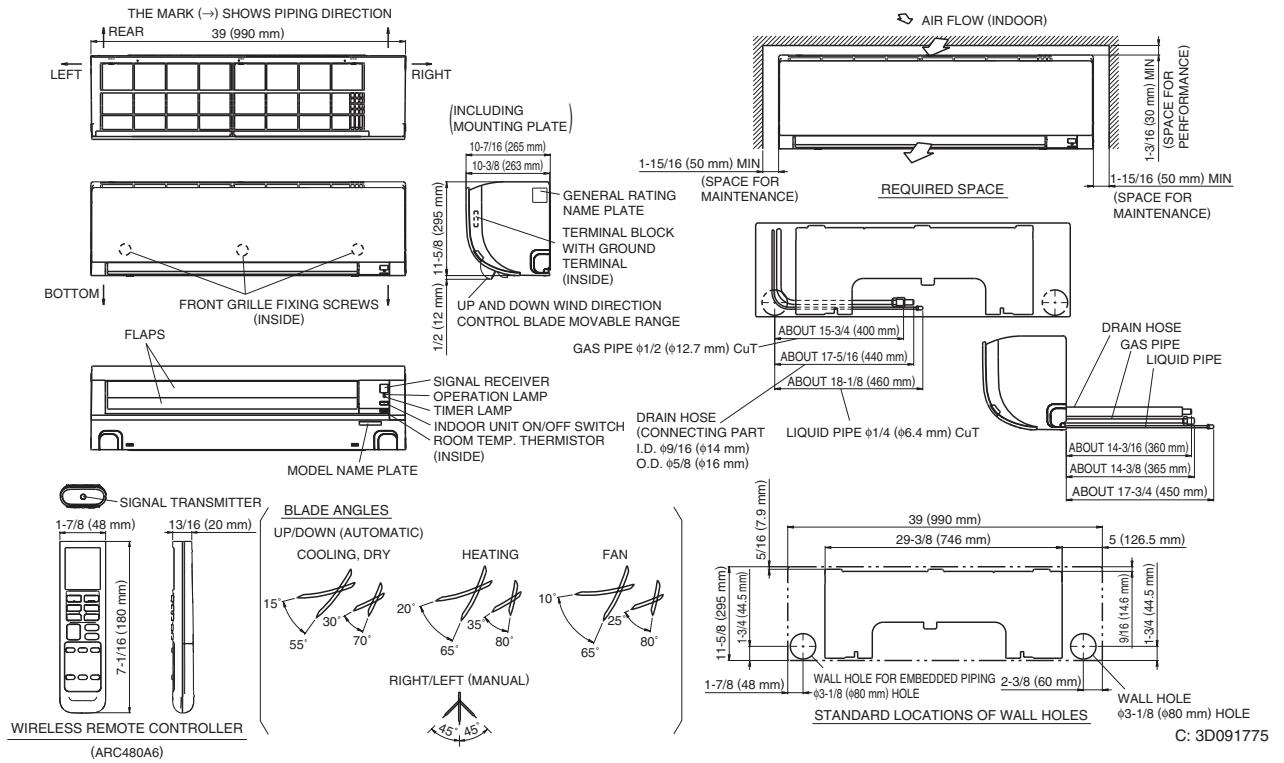
FTKN24NMVJU



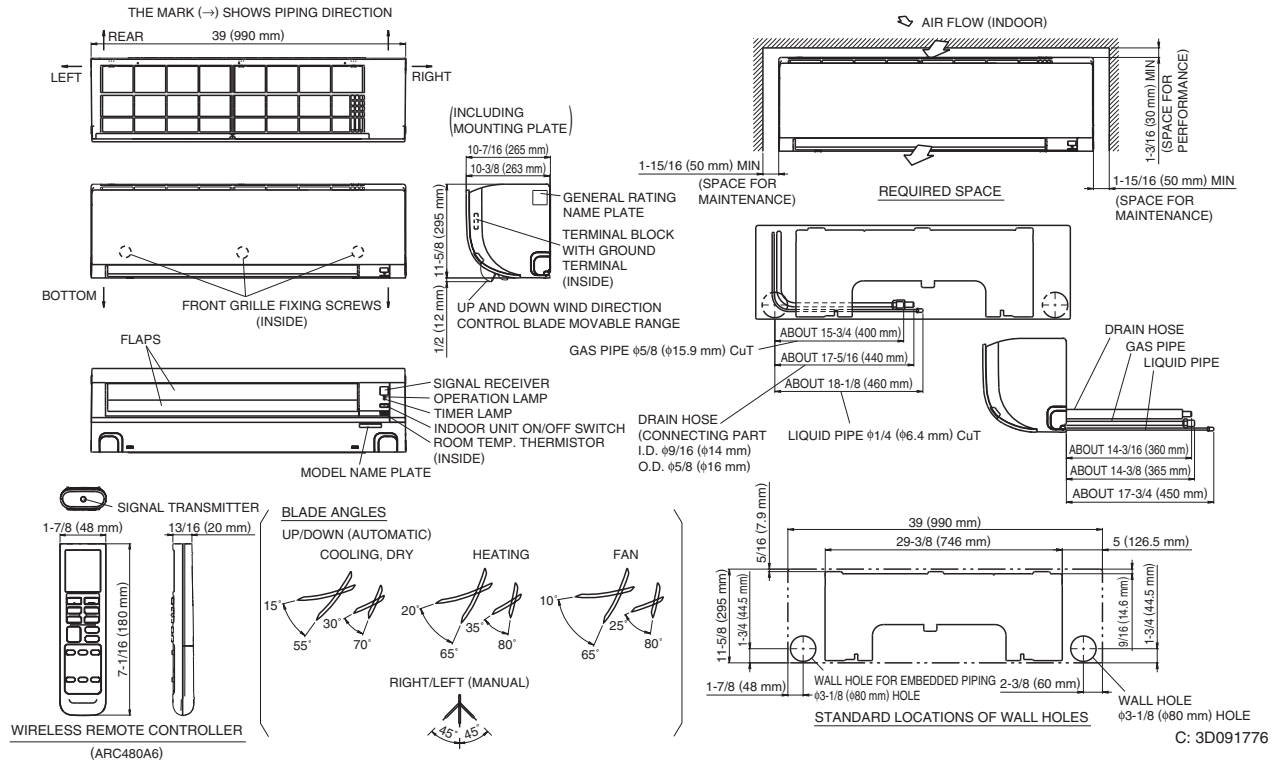
FTXN09/12NMVJU



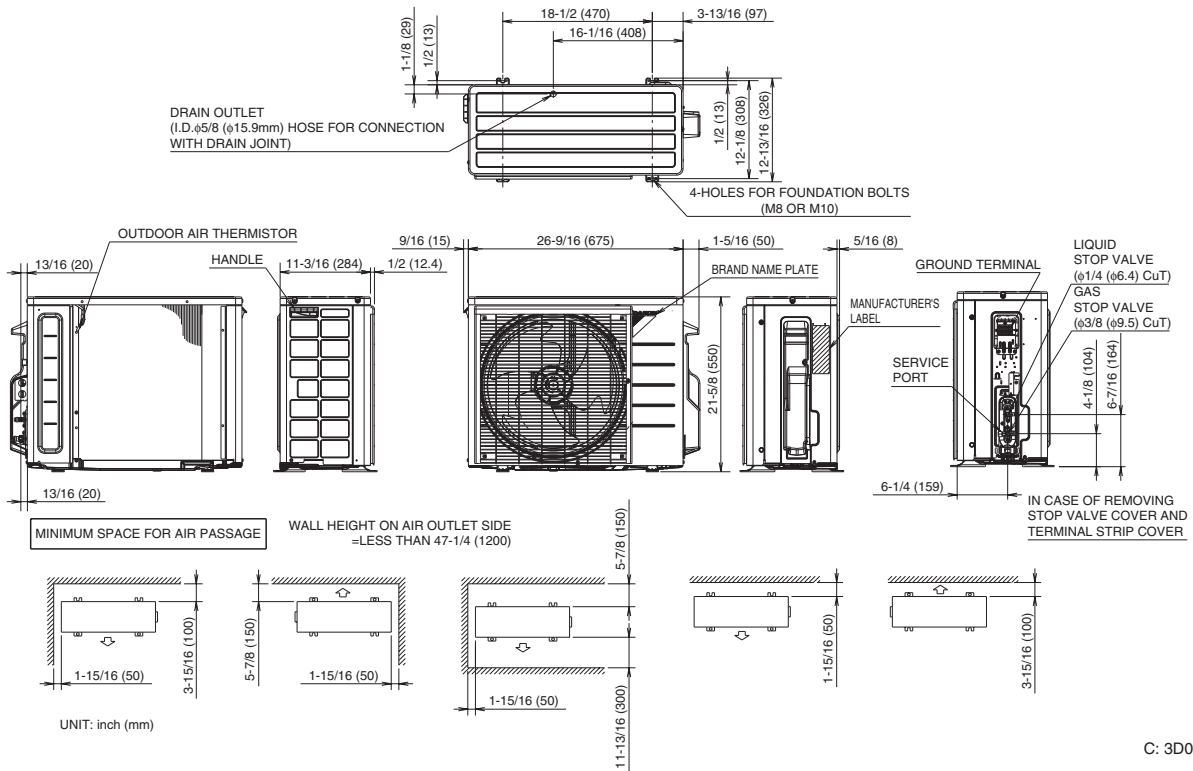
FTXN18NMVJU



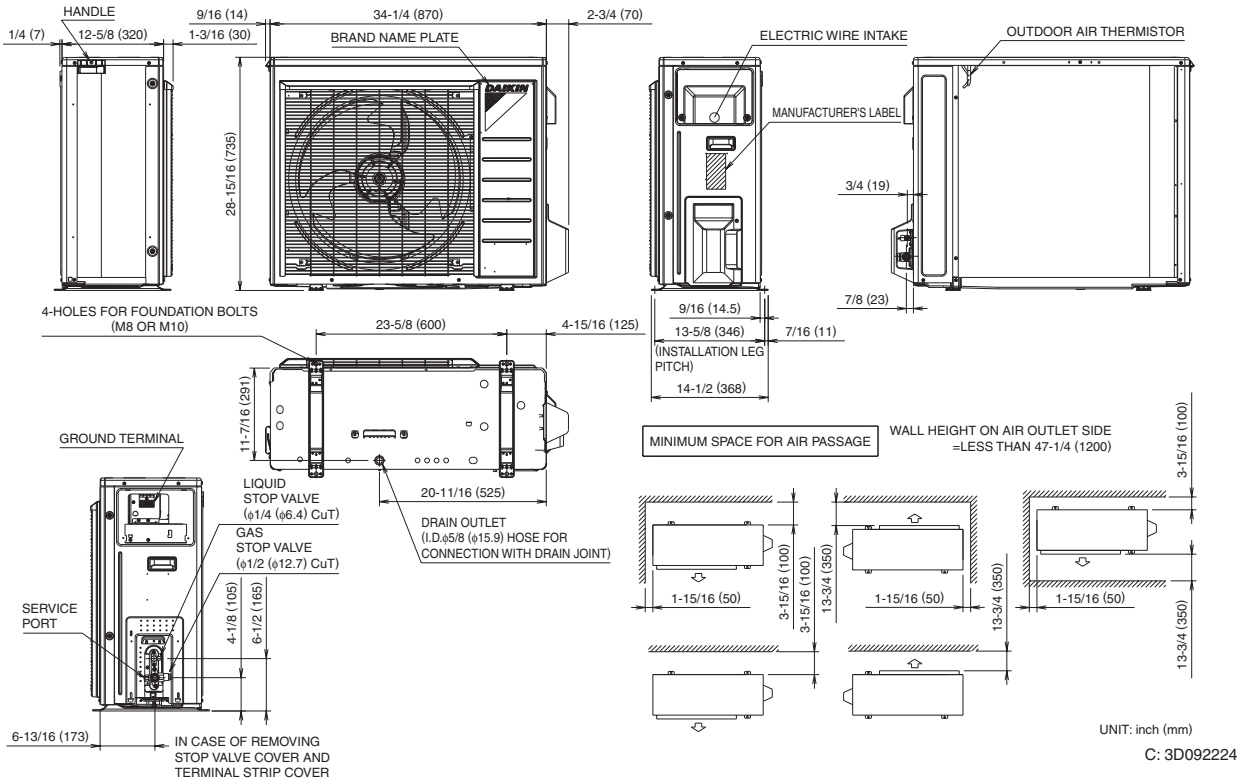
FTXN24NMVJU



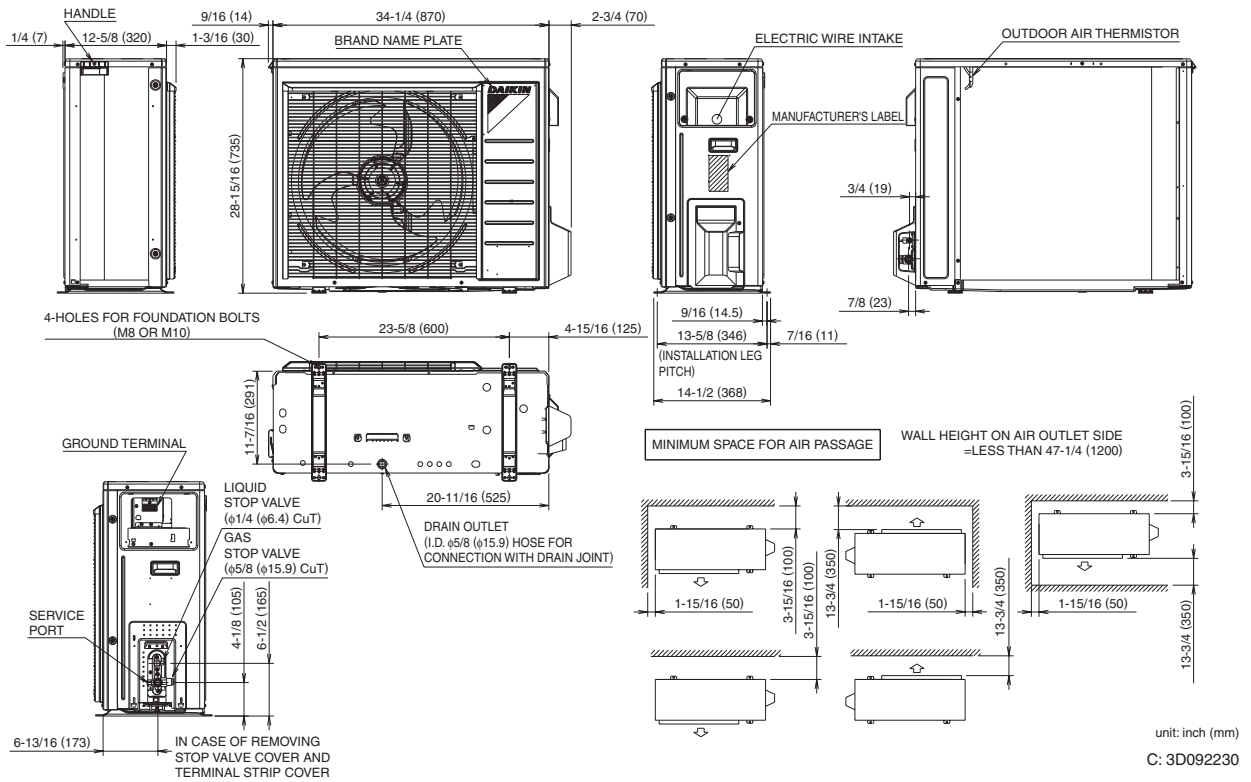
RKN09/12NMVJU, RXN09/12NMVJU



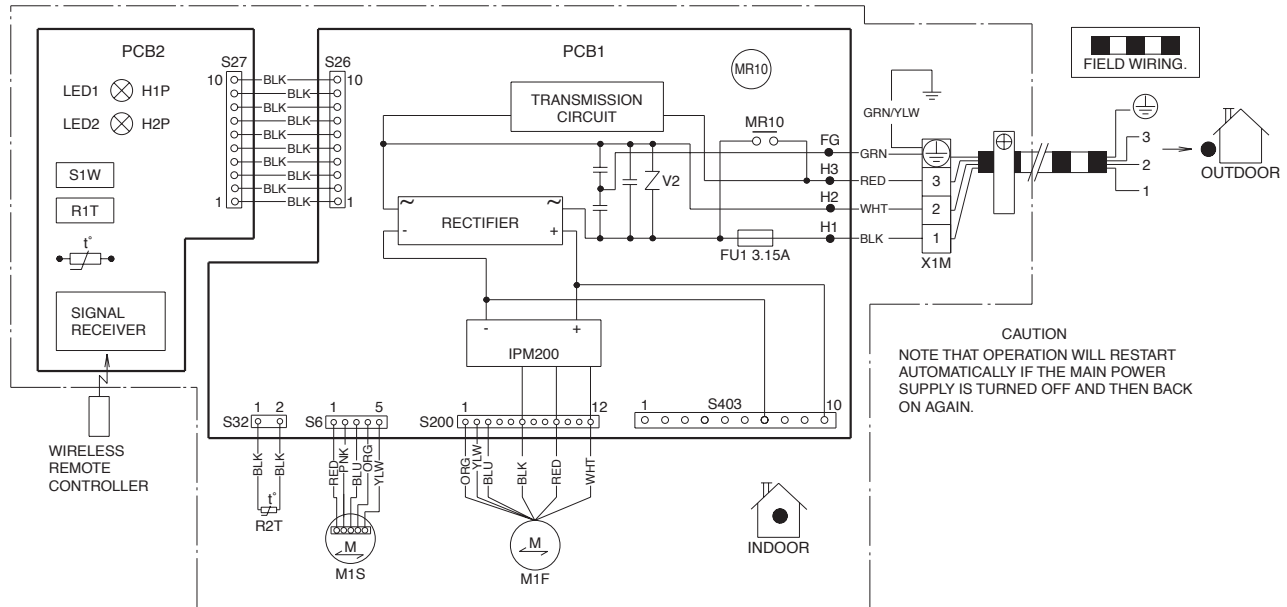
RKN18NMVJU, RXN18NMVJU



RKN24NMVJU, RXN24NMVJU



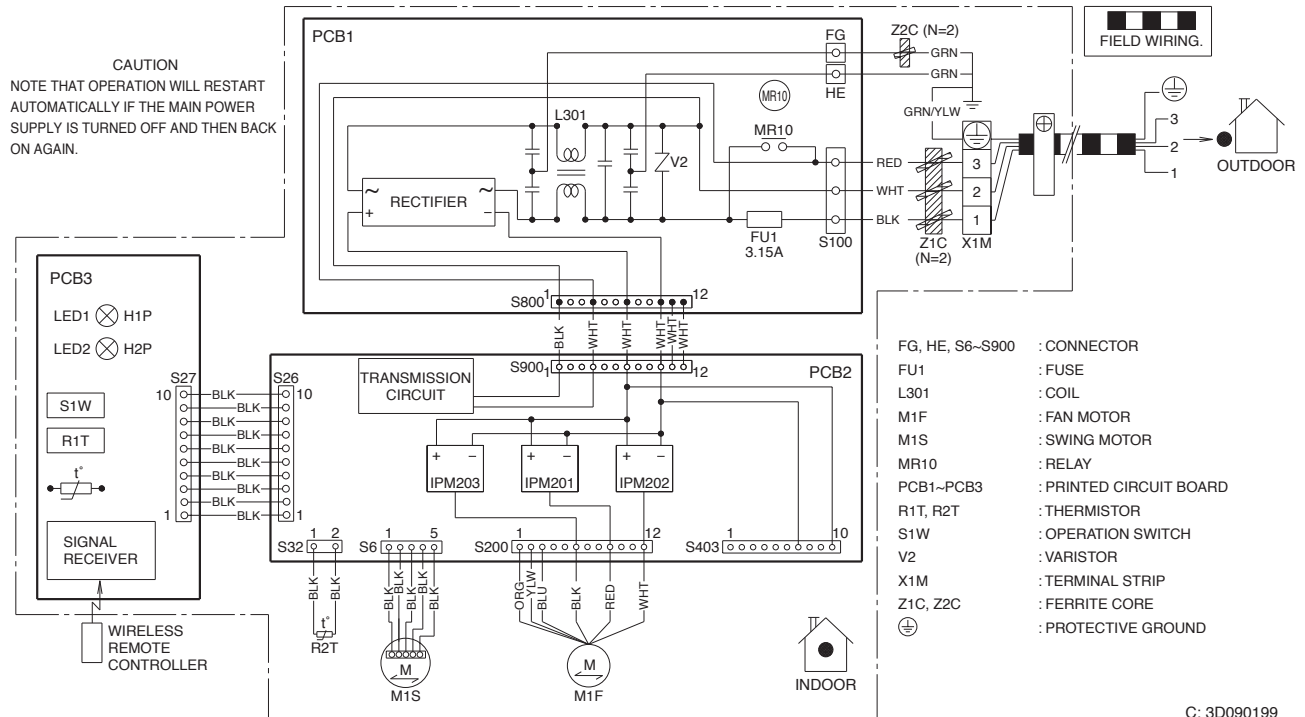
FTKN09/12NMVJU, FTXN09/12NMVJU



- | | | | | | | | |
|-------|----------------|------------|-------------------------|------|--------------------|---|---------------------|
| FG | : FRAME GROUND | M1S | : SWING MOTOR | S1W | : OPERATION SWITCH | ⊕ | : PROTECTIVE GROUND |
| FU1 | : FUSE | PCB1, PCB2 | : PRINTED CIRCUIT BOARD | X1M | : TERMINAL STRIP | | |
| H1~H3 | : HARNESS | R1T, R2T | : THERMISTOR | V2 | : VARISTOR | | |
| M1F | : FAN MOTOR | S6~S403 | : CONNECTOR | MR10 | : RELAY | | |

C: 3D086429B

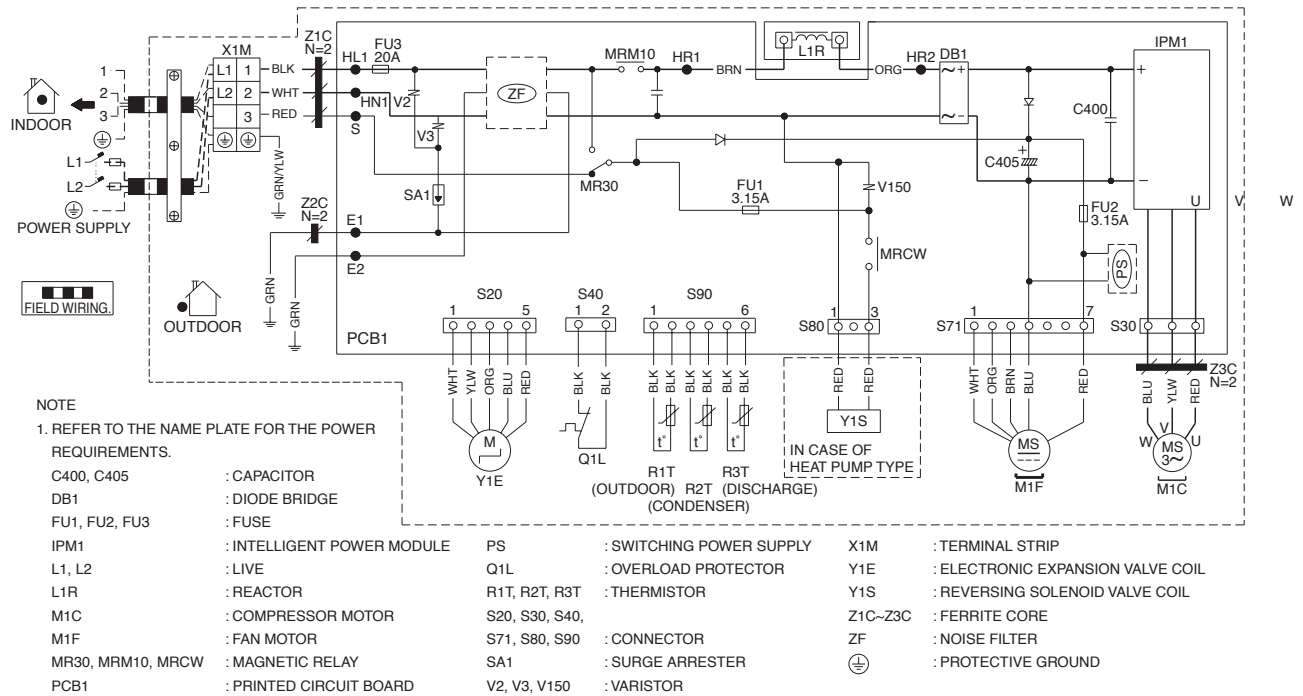
FTKN18/24NMVJU, FTXN18/24NMVJU



- | | |
|-----------------|-------------------------|
| FG, HE, S6~S900 | : CONNECTOR |
| FU1 | : FUSE |
| L301 | : COIL |
| M1F | : FAN MOTOR |
| M1S | : SWING MOTOR |
| MR10 | : RELAY |
| PCB1~PCB3 | : PRINTED CIRCUIT BOARD |
| R1T, R2T | : THERMISTOR |
| S1W | : OPERATION SWITCH |
| V2 | : VARISTOR |
| X1M | : TERMINAL STRIP |
| Z1C, Z2C | : FERRITE CORE |
| ⊕ | : PROTECTIVE GROUND |

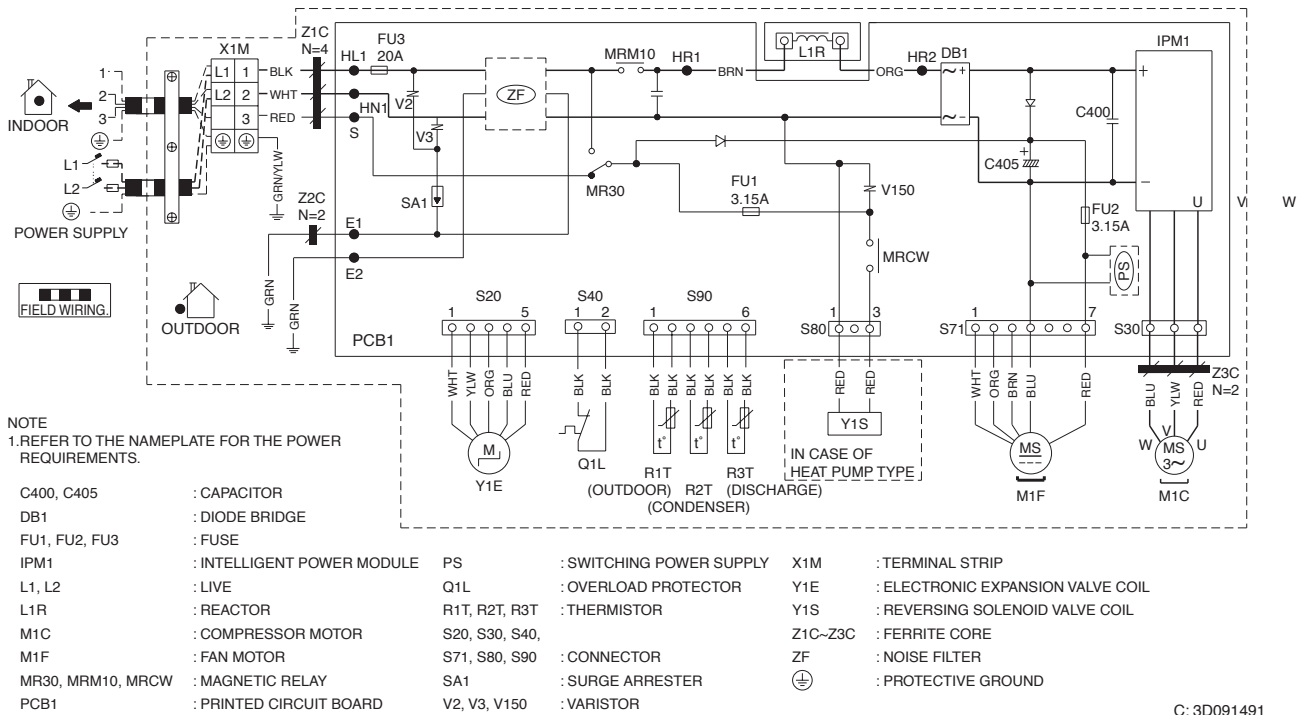
C: 3D090199

RKN09/12NMVJU, RXN09/12NMVJU



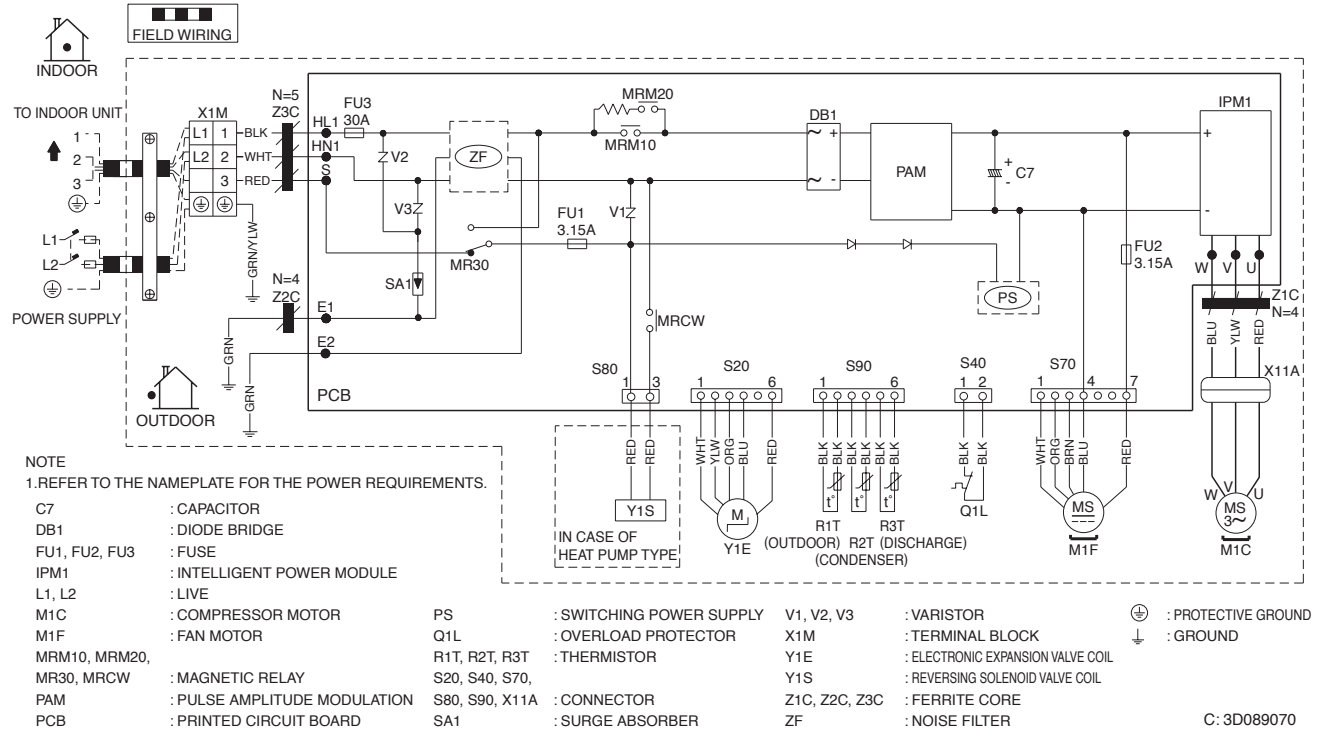
C: 3D089069

RKN18NMVJU



C: 3D091491

RKN24NMVJU, RXN18/24NMVJU



	ACCESSORY DESCRIPTION	PART NUMBERS	
		UNIT SIZES: 9 & 12	UNIT SIZES: 18 & 24
INDOOR UNIT	Wired remote controller & adaptor	BRC944B2 + KRP067A41	BRC944B2 + KRP980B2
	Cord for remote controller (3m)	BRCW901A03	BRCW901A03
	Cord for remote controller (8m)	BRCW901A08	BRCW901A08
	Five-room centralized controller	KRC72	KRC72
	Adopter PCB (normal open/normal open pulse contact)	KRP413AB1S + KRP067A41	KRP413AB1S + KRP980B2
	Titanium apatite photocatalytic air-purifying filter**	KAF970A46	KAF970A45 or KAF970A46**
	Remote controller loss prevention with chain	KKF936A4	KKF936A4
	Interface adaptor for DIII-NET use	KRP928BB2S + KRP067A41	KRP928BB2S + KRP980B2
	Central remote controller	DCS302C71	DCS302C71
	Unified ON/OFF controller	DCS301C71	DCS301C71
	Schedule timer	DST301BA61	DST301BA61
	Standard remote controller for AC units	ARC480A7	ARC480A7
	Standard remote controller for HP units	ARC480A6	ARC480A6
	ENVi - WiFi enabled controller	DACA-TS1-1 + KRP067A41	DACA-TS1-1 + KRP980B2
OUTDOOR UNIT	Air direction adjustment grille	KPW937E4	KPW063A4
	Drain plug*	KKP937A4	KKP937A4
	Back protection wire net	KKG067A41	KKG063A42
	Side protection wire net	N/A	KKG063A43

* Standard accessory (Drain plug is only for Heat Pump models)

** KAF970A46 filter without frame, KAF970A45 filter with frame