



Submittal Data Sheet

1.25-Ton Slim Duct Built-in Concealed Ceiling Unit
CDXS15LVJU

FEATURES

- Static capability up to 0.16" W.G.
- Rear or bottom return
- Econo Mode for increased energy savings
- 12 year limited parts and compressor warranty with online registration

BENEFITS

- Compact design
- LCD wireless remote with backlit display





Submittal Data Sheet

1.25-Ton Slim Duct Built-in Concealed Ceiling Unit
CDXS15LVJU

PERFORMANCE

Indoor Unit Model No.	CDXS15LVJU	Indoor Unit Name:	1.25-Ton Slim Duct Built-in Concealed Ceiling Unit
Type:	Ducted	Rated Cooling Conditions:	Indoor (°F DB/WB): 80 / 67 Ambient (°F DB/WB): 95 / 75
Rated Cooling Capacity (Btu/hr):	15,000	Rated Heating Conditions:	Indoor (°F DB/WB): 70 / 70 Ambient (°F DB/WB): 47 / 43
Sensible Capacity (Btu/hr):		Rated Piping Length(ft):	
Cooling Input Power (kW):	0.160	Rated Height Separation (ft):	
Rated Heating Capacity (Btu/hr):	18,000		
Heating Input Power (kW):	0.16		

INDOOR UNIT DETAILS

Power Supply (V/Hz/Ph):	208-230 / 60 / 1	Airflow Rate (H/M/L/SL) (CFM):	424/388/353/297
Power Supply Connections:	L1, L2, Ground	Moisture Removal (Gal/hr):	23.2
Min. Circuit Amps MCA (A):	1.00	Gas Pipe Connection (inch):	1/2
Max Overcurrent Protection (MOP) (A):	15.00	Liquid Pipe Connection (inch):	1/4
Dimensions (HxWxD) (in):	7-7/8 x 27-9/16 x 24-7/16	Condensate Connection (inch):	25/32
Panel (HxWxD) (in):		Sound Pressure (H/M/L/SL) (dBA):	37/35/33/31
Net Weight (lb):	60	Sound Power Level (dBA):	
Panel Weight (lb):		Ext. Static Pressure (Rated/Max) (inWg):	0.16 / 0.16

Submittal Data Sheet

1.25-Ton Slim Duct Built-in Concealed Ceiling Unit
CDXS15LVJU

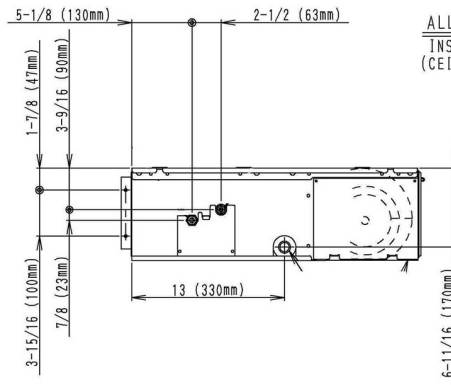
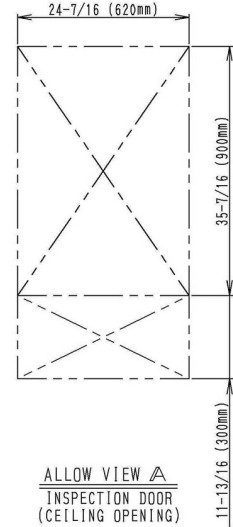
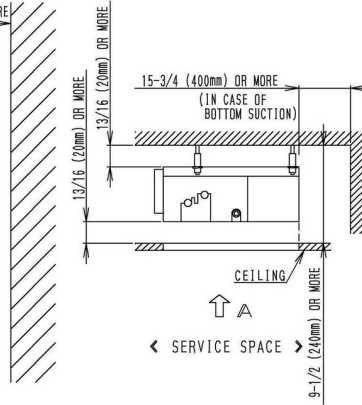
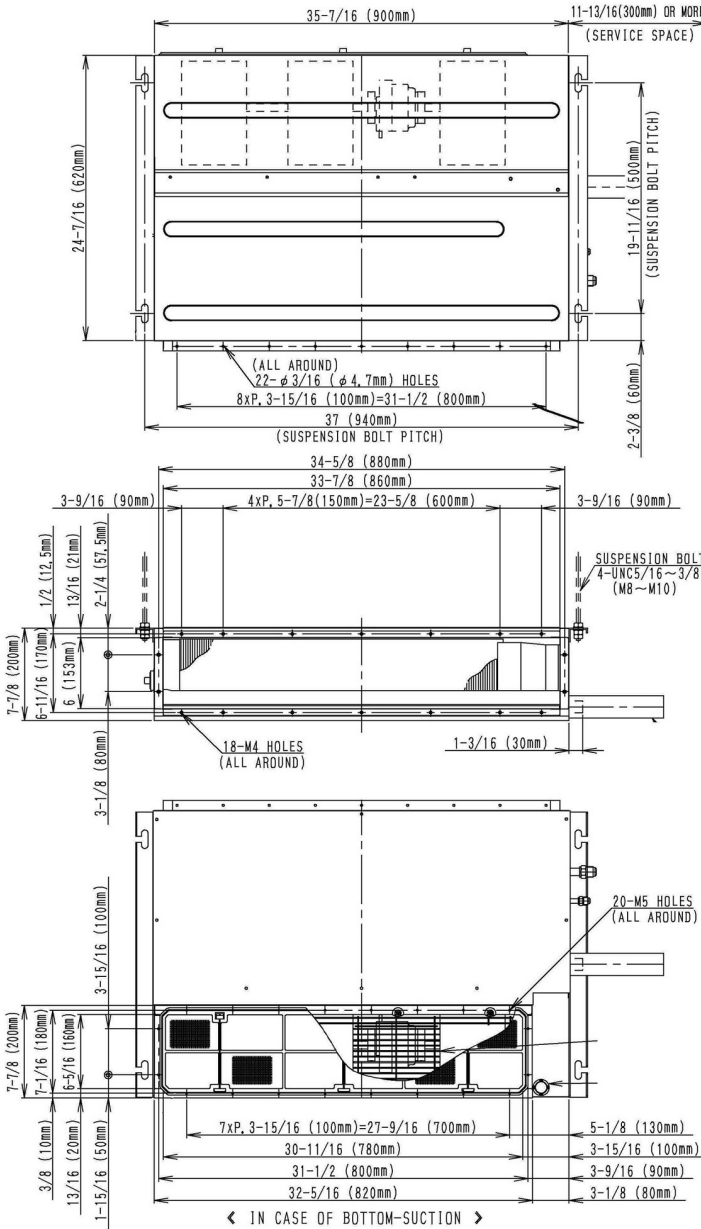
DIMENSIONAL DRAWING

Ductwork Opening:

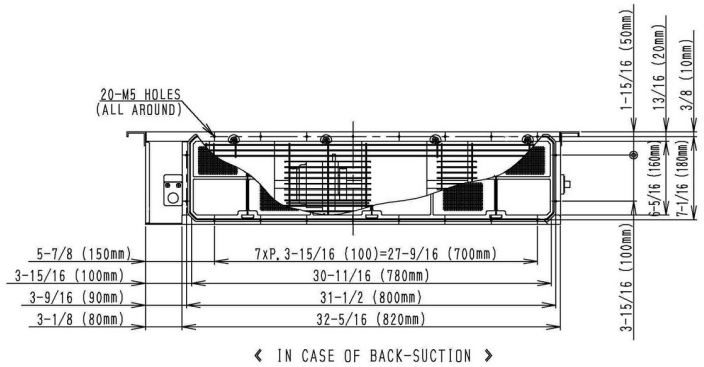
Model No.	Supply Opening		Return Opening	
	Height	Width	Height	Width
CDXS15,18LVJU	6-11/16"	34-5/8"	7-1/16"	31-1/2"

(Note: Opening dimension base on Fixing Hole Center)

CDXS15_18LVJU



ALLOW VIEW A
INSPECTION DOOR
(CEILING OPENING)



IN CASE OF BACK-SUCTION