



RESIDENTIAL NEXTSTEP® MOLDED WOOD TOILET SEAT

MODEL #

COLOR #

1483SLOW

DESCRIPTION:

Closed front with cover, elongated, molded wood, multi-coat enamel finish toilet seat. Features two color-matched bumpers, color-matched Whisper•Close® with Easy•Clean & Change® hinges with STA-TITE® Seat Fastening System™. Seat shall have an integrated solid-plastic child seat to accommodate the needs of both adult and child. Child seat secures magnetically into cover when not in use and can be removed for easy cleaning or when no longer needed.

SPECIFICATIONS:

Size:	Elongated
Material:	Molded Wood/Plastic
Style:	Closed Front with Cover
Bumpers:	Two
Hinge:	Plastic Whisper•Close® with Easy•Clean & Change®
Fastening System:	STA-TITE® Seat Fastening System™

FEATURES:

- Built-In Potty Seat™
- Whisper•Close®
- Easy•Clean & Change®
- STA-TITE® Seat Fastening System™

DIMENSIONS:



WHISPER•CLOSE®
FEATURE



LIFT HINGES TO UNLOCK



EASY REMOVAL OF SEAT
FOR THOROUGH CLEANING



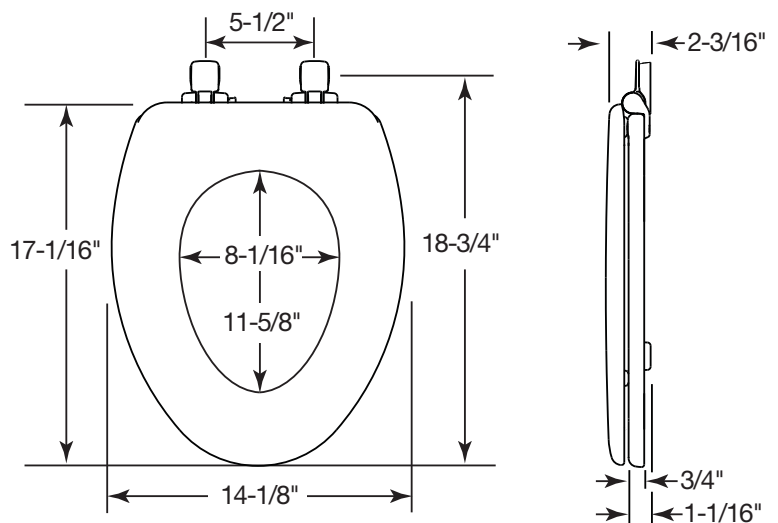
CHILD SEAT SECURES
MAGNETICALLY INTO
COVER WHEN NOT IN USE



REMOVABLE CHILD SEAT



STA-TITE® SEAT
FASTENING SYSTEM™



Child Ring Dimensions:
Inside Ring Length 7-15/16"
Inside Ring Width 5-1/8"

Proudly Made in the USA

Bemis Manufacturing Co., Sheboygan Falls, WI 53085
www.BemisSeats.com

Phone: 800-558-7651 Fax: 800-292-3647