

INSTANT-FLOW[®] SR - LOW FLOW

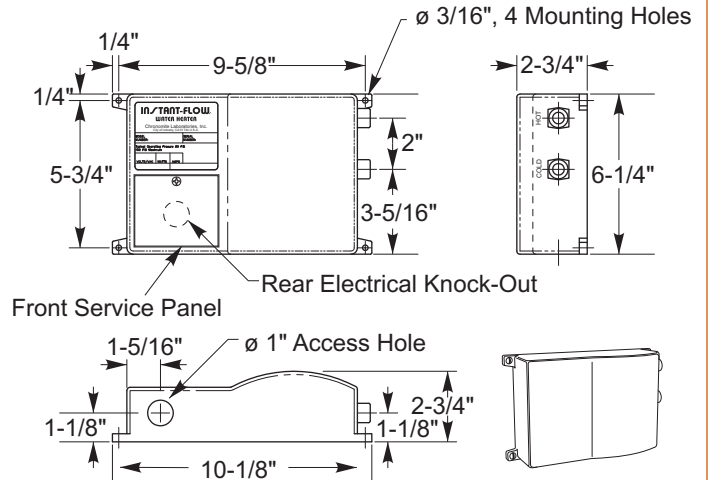
TECHNICAL DIMENSIONS

INSTANT-FLOW[®] SR - LOW FLOW

Dimensions:	6-1/4" (H) x 9-5/8" x 2-3/4"
Weight:	5 lbs.
Materials:	Rugged cast aluminum housing Celcon plastic element assembly with nichrome coils
Housing Color:	White
Minimum Operating Flow Rate:	0.4 GPM
Minimum Operating Pressure:	25 PSI
Maximum Operating Pressure:	150 PSI
Maximum Operating Temperature:	140°F
Listing:	UL, IAPMO, UPC, ADA

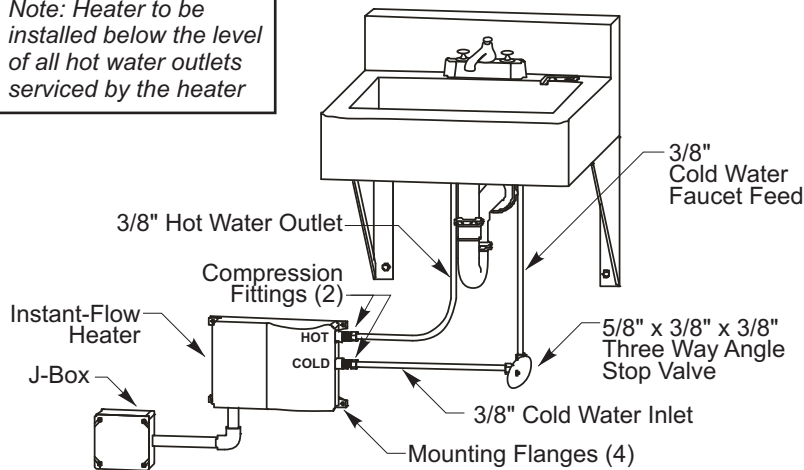
GENERAL NOTES:

- 240V models when operated at 220V will have approximately a 16% temperature decrease.
- 120V models when operated 110V will have approximately a 16% temperature decrease.
- Per UL/IAPMO unit may not exceed maximum operating temperature of 140°F

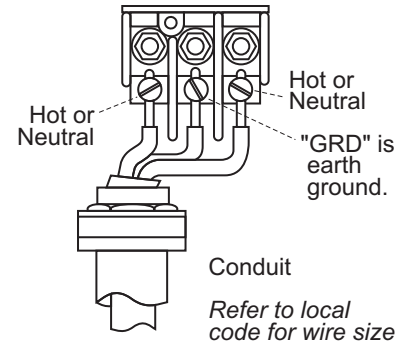


INSTALLATION DIAGRAM

Note: Heater to be installed below the level of all hot water outlets serviced by the heater



WIRING CONNECTION



ATTENTION:

Unit must be hard wired.
NOTE: Heaters are single phase.
All tests are measured at the output of the heater.

Chronomite Laboratories assumes no responsibility for use of void or suspended data. © Copyright Chronomite Laboratories, Inc. Member of Morris Group International, City of Industry, CA Please visit www.chronomite.com for most current specifications.

SELECTION SUMMARY & APPROVAL FOR MANUFACTURING

Company _____

Model Number & Options _____ Quantity _____

Contact _____ Title _____

Signature (Approval for Manufacturing) _____ Date _____

CHRONOMITE
LABORATORIES, INC.

PH. 800-447-4962

626-937-4270

FAX 626-937-4279

www.chronomite.com