

INSTANT-FLOW[®] MICRO - STANDARD FLOW

APPLICATION: commercial, industrial, residential, kitchen/bar sink, service sink, scrub sink, shower

PRODUCT FEATURES

- Uses a digital microprocessor for temperature control
Ultra quick response times for temperature variations - 120 times per second. Microprocessor use is the most energy efficient means of heating water
- Unlimited hot water
- Saves water and energy - 99% energy efficient
- Vandal resistant rugged cast aluminum housing
- Space saving compact size:
6-1/4" (H) x 9-5/8" x 2-3/4"
- Meets applicable building codes including ADA, UL, IAPMO, UPC.
- Environmentally friendly
- Made in the U.S.A.

Chronomite Instant-Flow[®] Micro - Standard Flow models are manufactured to provide reliable point-of-use hot water at 1.0 gallon per minute with a minimum pressure of 25 PSI. There is no pressure and temperature relief valve needed (unless required by code), saving time and money on installation.

Housing is fabricated from rugged cast aluminum alloy.

Element assembly is fabricated from Celcon plastic.

Coils are nichrome.

Faucet flow control and compression fittings are supplied with each unit.

MODEL	BREAKER SIZE (AMPS)	VOLTAGE	WATTS	TEMP RISE @ 1.0 GPM
M-30/208	30	208	6,240	42°F
M-30/240	30	240	7,200	49°F
M-30/277	30	277	8,320	57°F
M-40/208	40	208	8,320	57°F
M-40/240	40	240	9,600	65°F
M-40/277	40	277	11,080	75°F
M-50/240	50	240	11,520	79°F

For the model being selected, please place the corresponding amps and volts values in the Guide Specifications to the right.



Instant-Flow[®] Micro - Standard Flow

GUIDE SPECIFICATION

Tankless Water Heater shall be a Chronomite Laboratories Model

M - /

AMPS VOLTS OPTIONS

with Amps and Volts

to heat 1.0 gpm to a preset temperature of:

- 104°F
- 110°F (Meets ADA)
- Other temperature settings available upon request (specify below)
- 120 °F (Meets health code)

Unit shall be provided with Celcon waterways, and Nichrome heating coils.

Hot water storage vessel and simple analog temperature controller are expressly prohibited.

OPTIONAL HOUSING FINISH

- PA 765 ABS (P)
- Satin Finish Stainless Steel (SS)
- High Polish Finish Stainless Steel (SSP)

eg. Model M-30/240 with 30 Amps, 240 Volts heat 1.0 gpm to preset temperature of 104°F.



Member of U.S. Green Building Council



Water Conserving Product



Made in the USA

Complies with Standards for:



AB1953

CHRONOMITE LABORATORIES, INC.

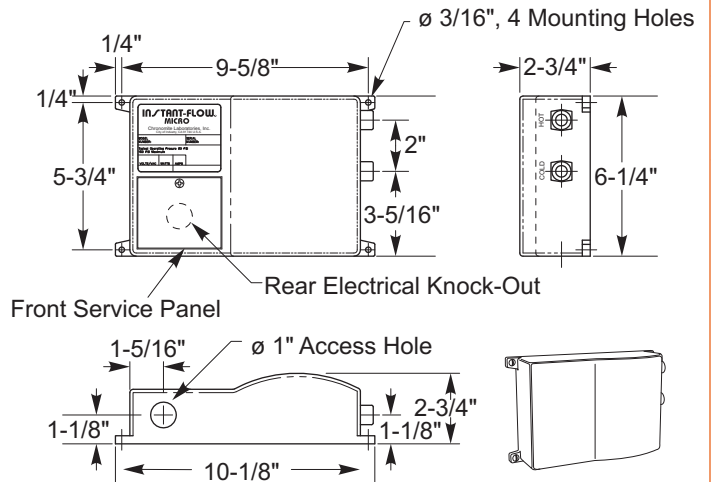
17451 Hurley St. :: City of Industry, CA 91744
Phone 800-447-4962 :: 626-937-4270
Fax 626-937-4279 :: www.chronomite.com

INSTANT-FLOW[®] MICRO - STANDARD FLOW

TECHNICAL DIMENSIONS

INSTANT-FLOW[®] MICRO - STANDARD FLOW

Dimensions:	6-1/4" (H) x 9-5/8" x 2-3/4"
Weight:	5 lbs.
Materials:	Rugged cast aluminum housing Celcon plastic element assembly with nichrome coils
Housing Color:	White
Minimum Operating Flow Rate:	0.65 GPM
Minimum Operating Flow Rate: (Models M-40/240, M-40/277, M-50/240)	1.0 GPM
Minimum Operating Pressure:	25 PSI
Maximum Operating Pressure	150 PSI
Maximum Operating Temperature:	140°F
Listing:	UL, IAPMO, UPC, ADA



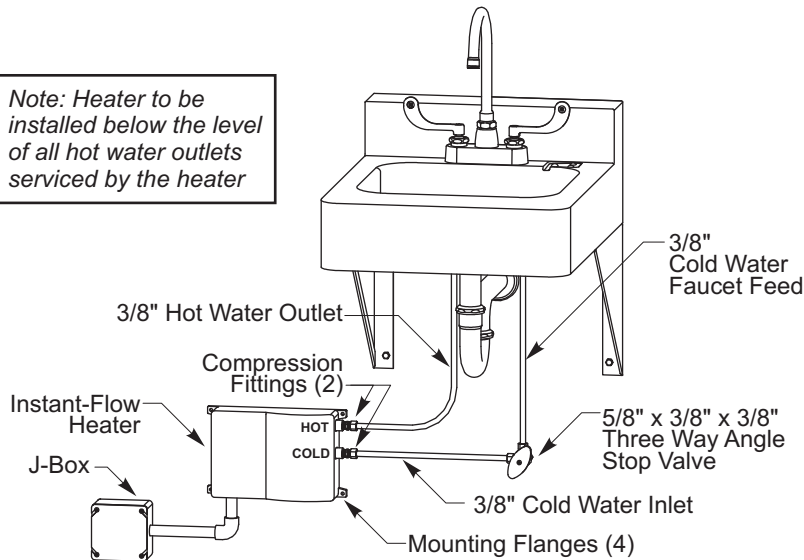
GENERAL NOTES:

- The microprocessor adjusts the heater's power for variations in flow rates, inlet water temperature and pressure to assure the selected factory preset water temperature.
- 240V models when operated at 220V will have approximately a 15% wattage decrease.

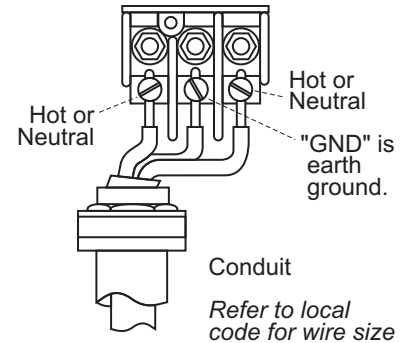
- Factory setting of 110°F or above require cold water mixing at the hand wash faucet.
- Microprocessor limits temperature increase according to the pre-selected temperature.

INSTALLATION DIAGRAM

Note: Heater to be installed below the level of all hot water outlets serviced by the heater



WIRING CONNECTION



ATTENTION:

Unit must be hard wired.
NOTE: Heaters are single phase.
All tests are measured at the output of the heater.

Chronomite Laboratories assumes no responsibility for use of void or suspended data. © Copyright 2009 Chronomite Laboratories, Inc. City of Industry, CA Chronomite is a Division of Acorn Engineering Company. Please visit www.chronomite.com for most current specifications.

SELECTION SUMMARY & APPROVAL FOR MANUFACTURING

Company _____

Model Number & Options _____ Quantity _____

Contact _____ Title _____

Signature (Approval for Manufacturing) _____ Date _____

CHRONOMITE
LABORATORIES, INC.

PH. 800-447-4962

626-937-4270

FAX 626-937-4279

www.chronomite.com